

REV: A	ECN NO: T180713-1A	OR DESCRIPTION: Julo	REVISION: 2019.3.28	DATE: 2019.3.28
--------	--------------------	----------------------	---------------------	-----------------

SPECIFICATIONS:

1. ELECTRICAL CHARACTERISTICS:

- 1-1. RATING: 12V 1A
- 1-2. CONTACT RESISTANCE: 50mΩ MAX.(INITIAL)
- 1-3. DIELECTRIC WITHSTANDING VOLTAGE: 500V AC FOR ONE MINUTE.
- 1-4. INSULATION RESISTANCE: 100MΩ MIN. MEASURED BY 500 VDC.

2. MECHANICAL CHARACTERISTICS:

- 2-1. INSERTION FORCE: INITIAL 0.3-3.0kgf;
- 2-2. WITHDRAWAL FORCE: INITIAL 0.3-3.0kgf;

3. LIFE TEST: 5,000 CYCLES MIN.

AFTER LIFE TEST, CONTACT RESISTANCE: 100mΩ MAX.

4. PACKAGING : TAPE & REEL.

5. AFTER HUMIDITY TEST, INSULATION RESISTANCE: 50MΩ MIN.

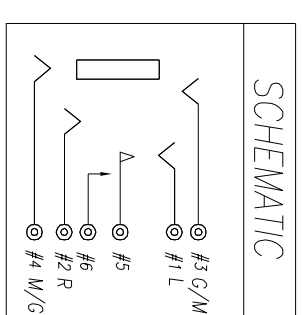
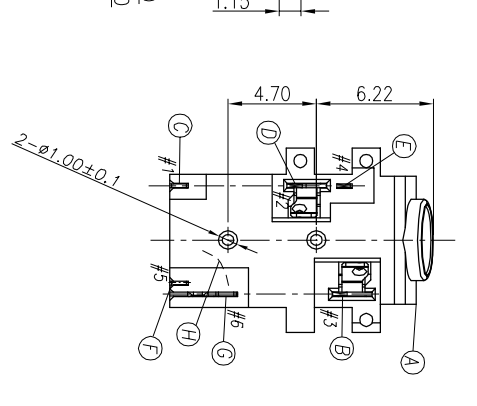
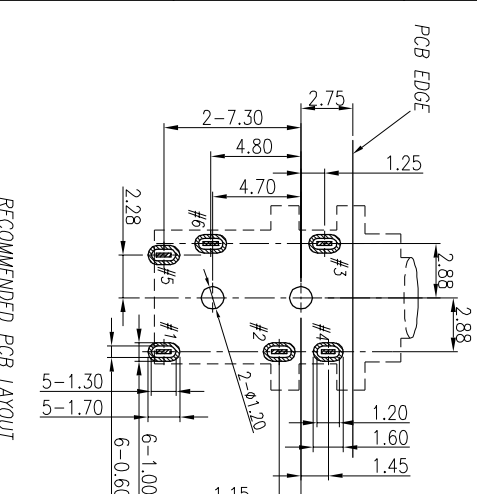
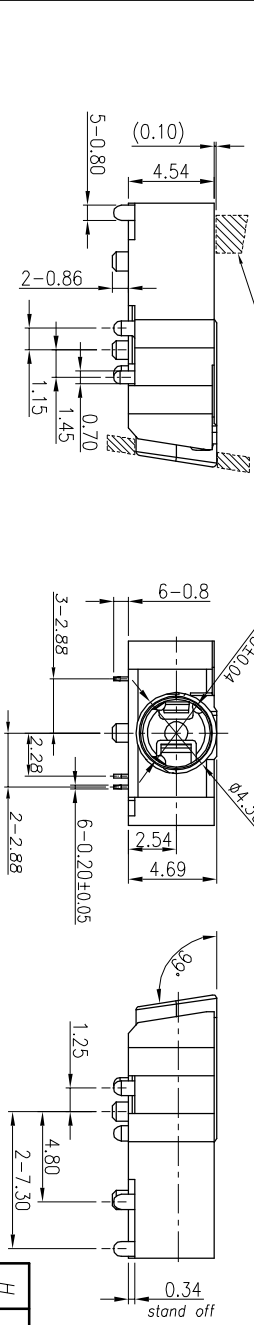
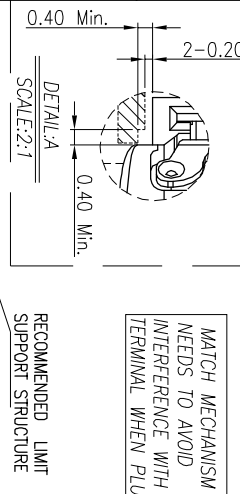
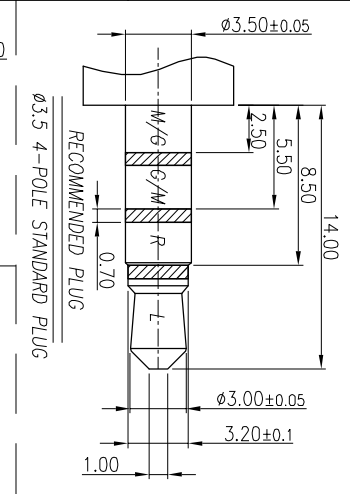
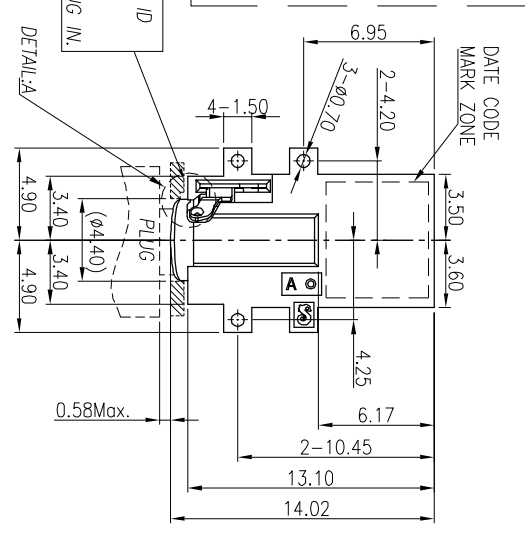
6. TO CONFORM TO SINGATRON HAZARDOUS SUBSTANCE FREE SPEC.

7. HALOGEN FREE PRODUCT IDENTIFICATION MARK ON PRODUCT:

8. HALOGEN FREE PRODUCT IDENTIFICATION LOGO ON PACKAGING:

9. FOR REFLOW SOLDERING LEAD-FREE PROCESS.

10. PRINTED DATE CODE "WMD=" ON TOP OF CONNECTOR.



H	SEPARATOR	1	HIGH TEMP.THERMOPLASTIC UL 94V-0	BLACK
G	MAKE TERMINAL	1	PHOSPHOR BRONZE 0.2t	
F	TRANSFER TERMINAL	1	PHOSPHOR BRONZE 0.2t	ROD FLASH ON CONTACT AREA COLD TIE IN ON SOLDER AREA ALL OVER 500 μm
E	EARTH	1	PHOSPHOR BRONZE 0.2t	
D	RING A	1	PHOSPHOR BRONZE 0.2t	ROD FLASH ON CONTACT AREA COLD TIE IN ON SOLDER AREA ALL OVER 500 μm
C	TIP SPRING	1	PHOSPHOR BRONZE 0.2t	
B	RING B	1	PHOSPHOR BRONZE 0.2t	
A	BODY	1	HIGH TEMP.THERMOPLASTIC UL 94V-0	BLACK
NO	DESCRIPTION	QTY	MATERIAL	PLATING & COLOR

UNLESS OTHERWISE SPECIFIED TOLERANCES

DECIMALS: ANGLES:

X :±0.5 X :±2°

X.X :±0.3 X.X :±1°

X.XX :±0.2

Singatron Enterprise Co., Ltd.
信亨企業股份有限公司

TITLE: Ø3.50 AUDIO JACK

DWN: Julo PART NO. 2S13098-030111F

CHKD: Bruce SCALE 4:1 UNIT: mm

APVD: Loo SIZE: A3 SHEET: 1 OF 1 REV: A

CUSTOMER COPY