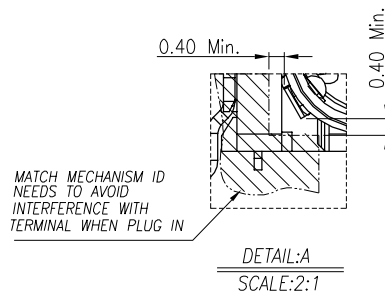
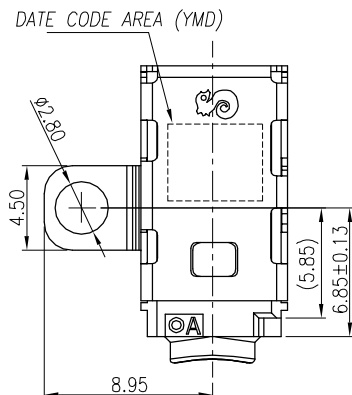
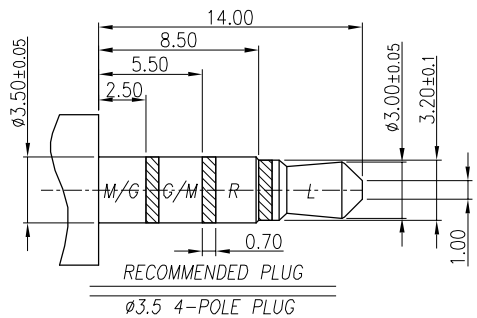


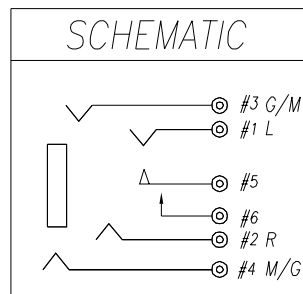
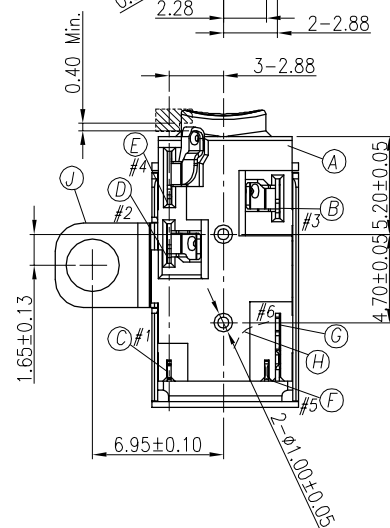
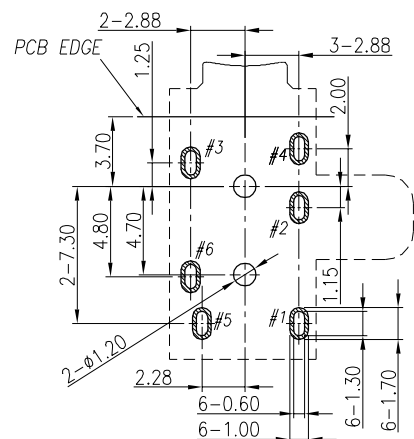
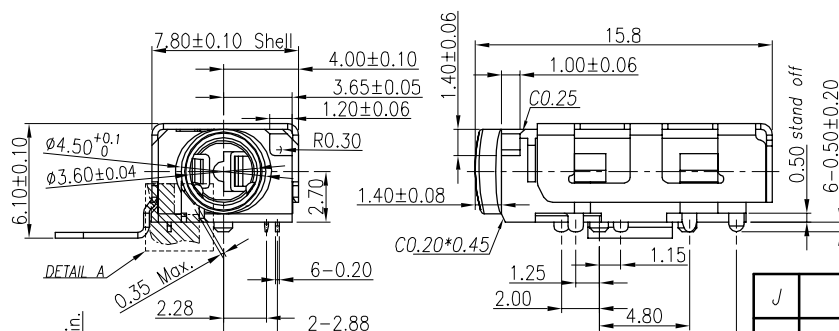
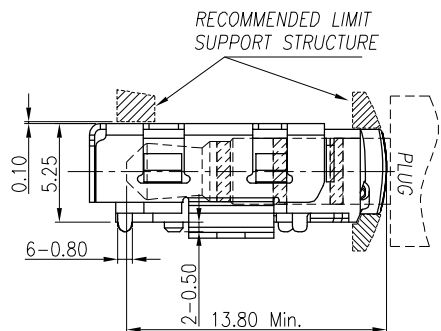
REV.	ECN NO OR DESCRIPTION	REVISED	DATE
A	PDR NO: T201014-1A	RAINY	2022.02.22



SPECIFICATIONS:

- ELECTRICAL CHARACTERISTICS:
 - RATING: 12V 1A
 - CONTACT RESISTANCE: 50mΩ Max..(INITIAL)
 - DIELECTRIC WITHSTANDING VOLTAGE: 500V AC FOR ONE MINUTE.
 - INSULATION RESISTANCE: 100MΩ Min. MEASURED BY 500 VDC.
- LIFE TEST: 2,000 CYCLES Min..

AFTER LIFE TEST, CONTACT RESISTANCE: 100mΩ Max..
- MECHANICAL CHARACTERISTICS:
 - BEFORE LIFE TEST: INSERTION FORCE: 0.8-3.0 Kgf.
EXTRACTION FORCE: 0.6-1.8 Kgf.
 - AFTER LIFE TEST: INSERTION FORCE: 2.5 Kgf Max..
EXTRACTION FORCE: 0.5 Kgf Min..
- PACKAGING: TAPE & REEL.
- AFTER HUMIDITY TEST, INSULATION RESISTANCE: 50MΩ Min..
- TO CONFORM TO SINGATRON HAZARDOUS SUBSTANCE FREE SPEC.
- HALOGEN FREE PRODUCT IDENTIFICATION MARK ON PRODUCT:
- HALOGEN FREE PRODUCT IDENTIFICATION LOGO ON PACKAGING:
- FOR LEAD-FREE PROCESS.
- PRINTED DATE CODE "YMD-" ON TOP OF CONNECTOR.
- PLEASE PUT THE PRODUCT IN A CONDITION WHERE IS FULL OF NITROGEN WHEN PASS THE IR REFLOW.



J	SHELL	1	SUS304-1/2H 0.30T	Ni 60u" Min.
H	SEPARATOR	1	LCP E130i+30%GF UL 94V-0	BLACK
G	MAKE TERMINAL	1	C5210-EH 0.20T	1-3µm GOLD PLATING ON CONTACT AREA, 1-3µm GOLD PLATING ON SOLDER TAIL AREA, AND 50µm MIN. NICKEL UNDER PLATING
F	TRANSFER TERMINAL	1	C5210-EH 0.20T	
E	EARTH	1	C5210-EH 0.20T	
D	RING A	1	C5210-EH 0.20T	1-3µm GOLD PLATING ON CONTACT AREA, 120µm MAX. MATTE TIN PLATING ON SOLDER TAIL AREA, AND 50µm MIN. NICKEL UNDER PLATING
C	TIP SPRING	1	SUS304-1/2H 0.20T	
B	RING B	1	C5210-EH 0.20T	
A	BODY	1	PA10T R6035NH, 35%GF UL 94V-0	PANTONE COOL GRAY 10C
NO	DESCRIPTION	QTY	MATERIAL	PLATING & COLOR

UNLESS OTHERWISE SPECIFIED TOLERANCES

Singatron Enterprise Co., Ltd.
信音企業股份有限公司

DECIMALS:	ANGLES:	TITLE	Ø3.5 AUDIO JACK	
X :±0.5	X :±2°	DWN	RAINY	PART NO.2SJ3098-036111F
X.X :±0.3	X.X :±1°	CHKD	Bruce	SCALE 4:1 UNIT: mm
X.XX :±0.2		APVD	LIAO	SIZE: A3 SHEET:1 OF 1 REV: A
CUSTOMER COPY				