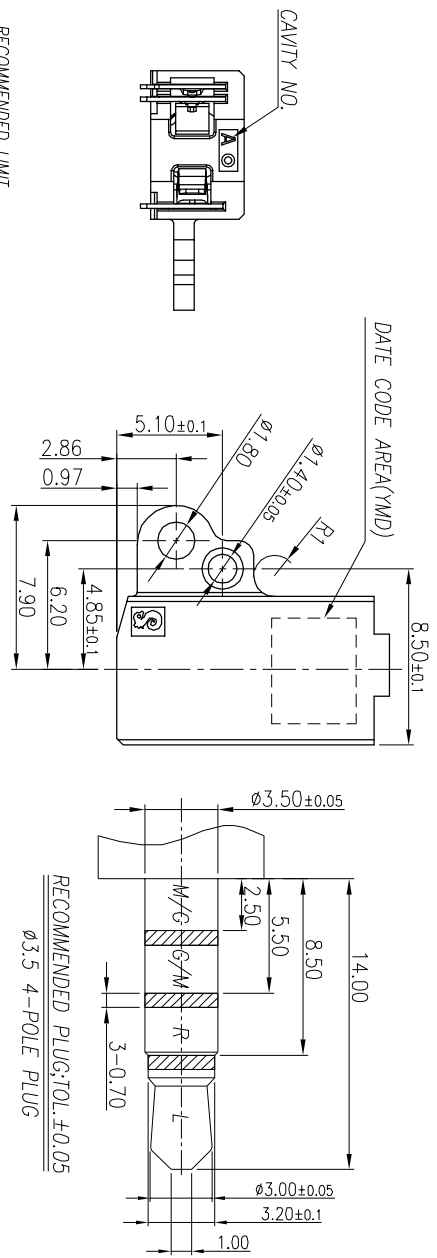
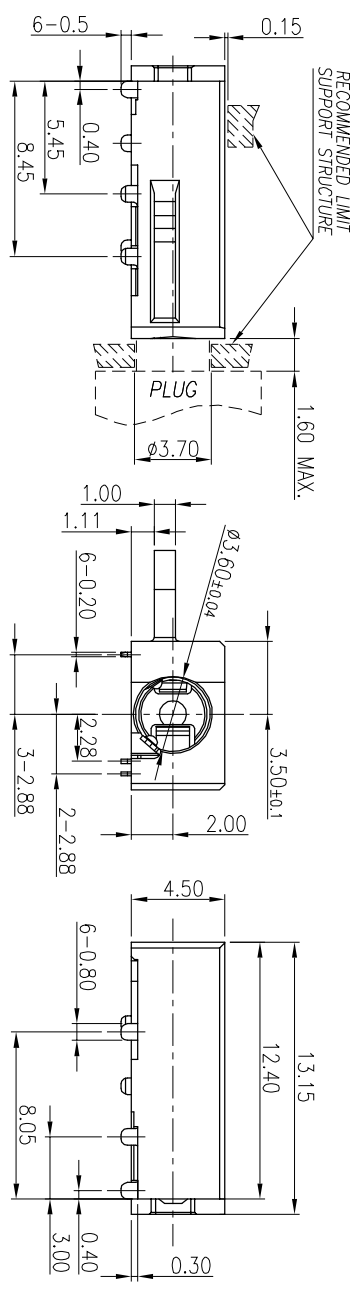


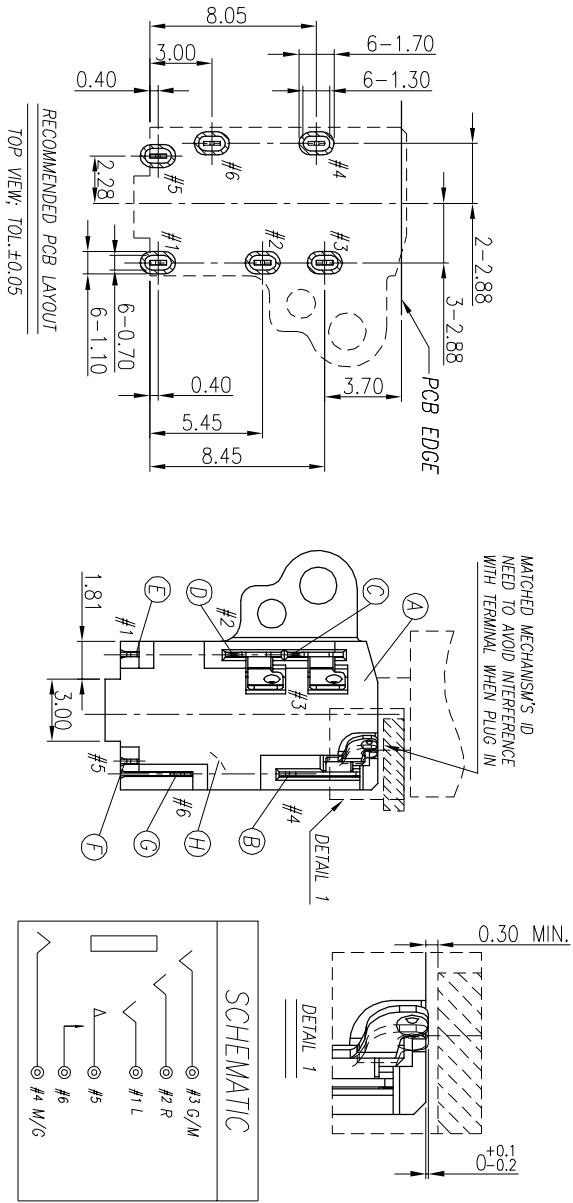
REV: A	ECN NO: PDR NO: 1210413-2A	OR DESCRIPTION: RAINY	REVISED DATE: 2021.11.03
--------	----------------------------	-----------------------	--------------------------



- SPECIFICATIONS:
- ELECTRICAL CHARACTERISTICS:
 - 1-1. RATING: 12V 1A
 - 1-2. CONTACT RESISTANCE: 50mΩ MAX.(INITIAL)
 - 1-3. DIELECTRIC WITHSTANDING VOLTAGE: 500V AC FOR ONE MINUTE.
 - 1-4. INSULATION RESISTANCE: 100MΩ MIN. MEASURED BY 500 VDC.
 - MECHANICAL CHARACTERISTICS:
 - 2-1. INSERTION FORCE: INITIAL 0.3-3.0kgf;
 - 2-2. WITHDRAWAL FORCE: INITIAL 0.3-3.0kgf;
 3. LIFE TEST: 5,000 CYCLES MIN. AFTER LIFE TEST, CONTACT RESISTANCE: 100mΩ MAX.
 4. PACKAGING: TAPE & REEL
 5. AFTER HUMIDITY TEST, INSULATION RESISTANCE: 50MΩ MIN.
 6. TO CONFORM TO SINGATRON HAZARDOUS SUBSTANCE FREE SPEC.
 7. HALOGEN FREE PRODUCT IDENTIFICATION MARK ON PRODUCT:
 8. HALOGEN FREE PRODUCT IDENTIFICATION LOGO ON PACKAGING:
 9. FOR REFLOW SOLDERING LEAD-FREE PROCESS.
 10. PRINTED DATE CODE "YMD"- " ON TOP OF CONNECTOR.



ONLY FOR COMPAL MODEL OF
HDB43_ORCHID_BAY 14" XPS



H	SEPARATOR	1	HIGH TEMP.THERMOPLASTIC	BLACK
G	MAKE TERMINAL	1	PHOSPHOR BRONZE 0.2T	1-2um GOLD PLATING ON CONTACT AREA
F	TRANSFER TERMINAL	1	PHOSPHOR BRONZE 0.2T	1-2um GOLD PLATING ON SOLDER TAIL AREA AND 50um MIN. NICKEL UNDERPLATING
E	TIP SPRING	1	STAINLESS STEEL 0.2T	
D	RING-A	1	PHOSPHOR BRONZE 0.2T	3um GOLD PLATING ON CONTACT AREA
C	RING-B	1	PHOSPHOR BRONZE 0.2T	1-2um GOLD PLATING ON SOLDER TAIL AREA AND 50um MIN. NICKEL UNDERPLATING
B	EARTH	1	PHOSPHOR BRONZE 0.2T	
A	BODY	1	HIGH TEMP.THERMOPLASTIC	BLACK
NO	DESCRIPTION	QTY	MATERIAL	PLATING & COLOR
UNLESS OTHERWISE SPECIFIED TOLERANCES				
DECIMALS: ANGLES:				
X	:±0.5	X	:±2°	
X.X	:±0.3	X.X	:±1°	
X.XX	:±0.2			
TITLE: Ø3.5 AUDIO JACK				
DWN	RAINY	PART NO.2S3098-040111F		
CHKD	BRUCE	SCALE 1:1	UNIT: mm	
APVD	LIAO	SIZE: A3	SHEET: 1 OF 1	REV: A

RECOMMENDED PCB LAYOUT
TOP VIEW: TOL.±0.05

MATCHED MECHANISMS ID
NEED TO AVOID INTERFERENCE
WITH TERMINAL WHEN PLUG IN

SCHEMATIC