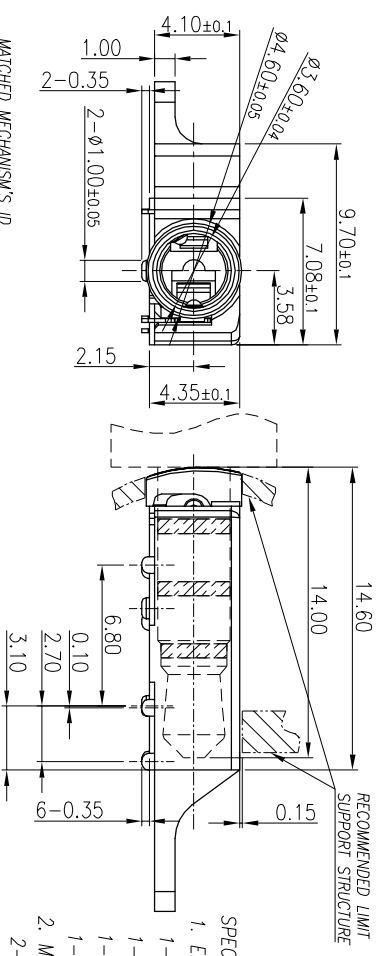
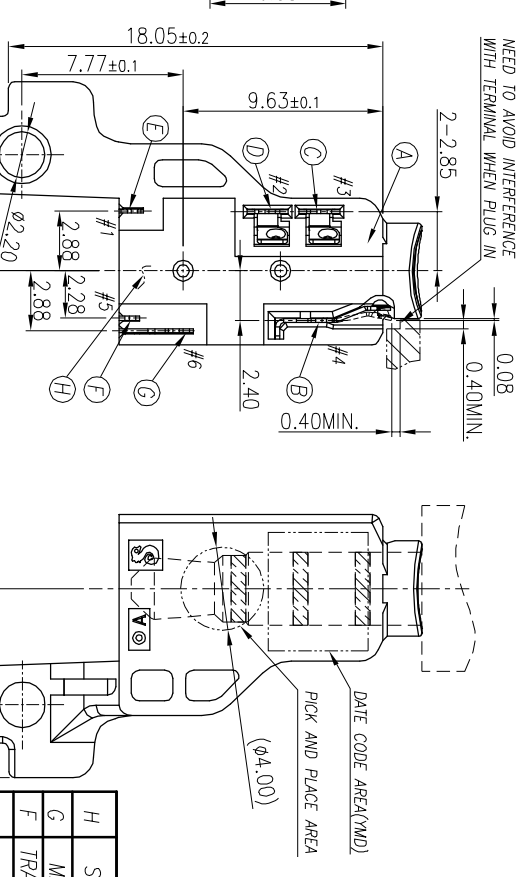


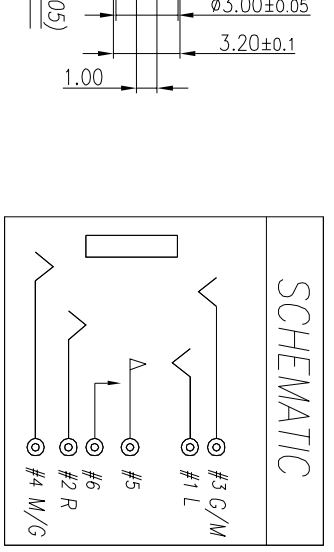
REV.	ECN NO.	OR DESCRIPTION	REVISED	DATE
A	PDR NO:	T210721-4A	RAINNY	2022.03.15



- SPECIFICATIONS:
1. ELECTRICAL CHARACTERISTICS:
- 1-1. RATING: 12V 1A
  - 1-2. CONTACT RESISTANCE: 50mΩ MAX.(INITIAL)
  - 1-3. DIELECTRIC WITHSTANDING VOLTAGE: 500V AC FOR ONE MINUTE.
  - 1-4. INSULATION RESISTANCE: 100MΩ MIN. MEASURED BY 500 VDC.
2. MECHANICAL CHARACTERISTICS:
- 2-1. INSERTION FORCE: 0.8~3.0Kgf INITIAL ; 2.5 Kgf MAX.
  - 2-2. WITHDRAWAL FORCE: 0.6~1.8Kgf INITIAL; 0.5 Kgf MIN.



- 3. LIFE TEST: 2000 CYCLES MIN.
- AFTER LIFE TEST, CONTACT RESISTANCE: 100mΩ MAX.
- 4. PACKAGING: TAPE & REEL.
- 5. AFTER HUMIDITY TEST, INSULATION RESISTANCE: 50MΩ MIN.
- 6. TO CONFORM TO SINGATRON HAZARDOUS SUBSTANCE FREE SPEC.
- 7. HALOGEN FREE PRODUCT IDENTIFICATION MARK ON PRODUCT:
- 8. HALOGEN FREE PRODUCT IDENTIFICATION LOGO ON PACKAGING:
- 9. FOR REFLOW SOLDERING LEAD-FREE PROCESS.
- 10. PRINTED DATE CODE "YMD-" ON TOP OF JACK.



NO	DESCRIPTION	QTY	MATERIAL	PLATING & COLOR
A	BODY	1	PA10T, UJ94V-0	BLACK
B	EARTH	1	C5210-EH, 0.2T	
C	RING B	1	C5210-EH, 0.2T	
D	RING A	1	C5210-EH, 0.2T	
E	TIP SPRING	1	SUS304, 0.2T	
F	TRANSFER TERMINAL	1	C5210-EH, 0.2T	
G	MAKE TERMINAL	1	C5210-EH, 0.2T	
H	SEPARATOR	1	LCP ET130I +30% GF UL 94V-0	BLACK

UNLESS OTHERWISE SPECIFIED TOLERANCES

DECIMALS: ANGLES:

X :±0.5 X :±2°

X.X :±0.3 X.X :±1°

X.XX :±0.2

Singatron Enterprise Co., Ltd.  
信登企業股份有限公司

TITLE: 3.5Φ AUDIO JACK R/A TYPE

DMN RAINNY PART NO. 2S13098-041111F

CHKD BRUCE SCALE 4:1 UNIT: mm

APVD LMO SIZE: A3 SHEET: 1 OF 1 REV: A

CUSTOMER COPY