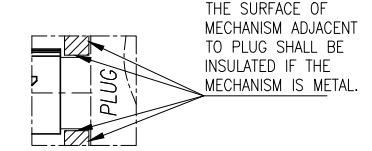
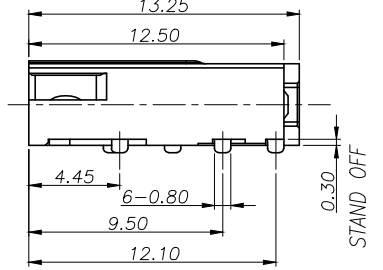
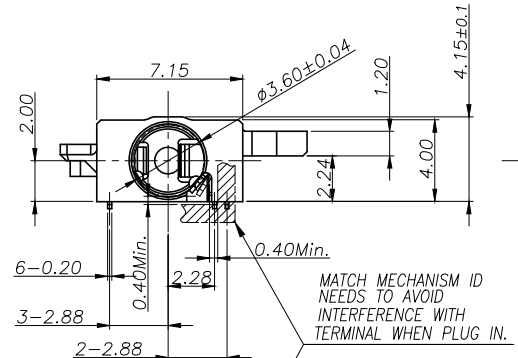
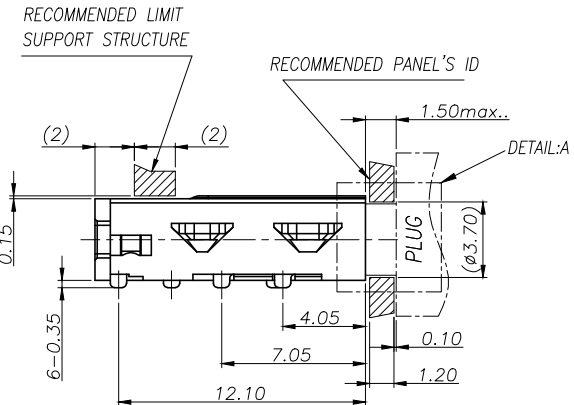
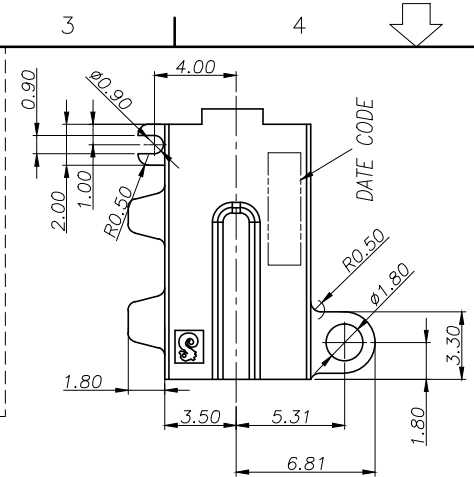
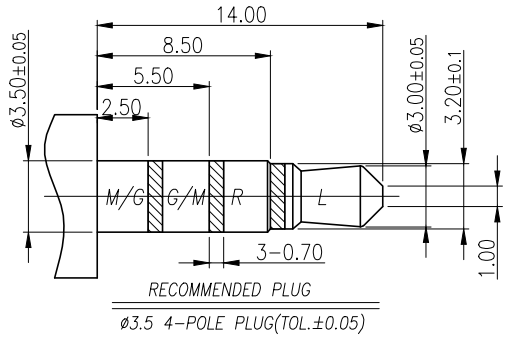


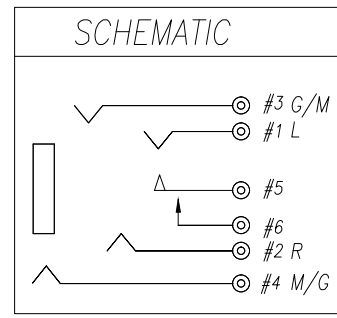
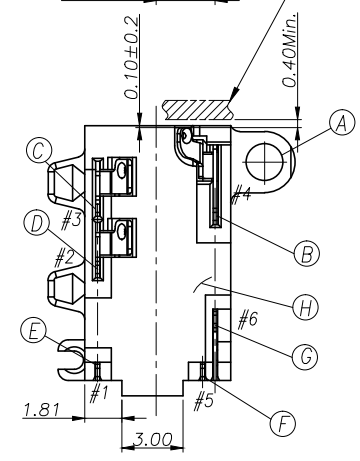
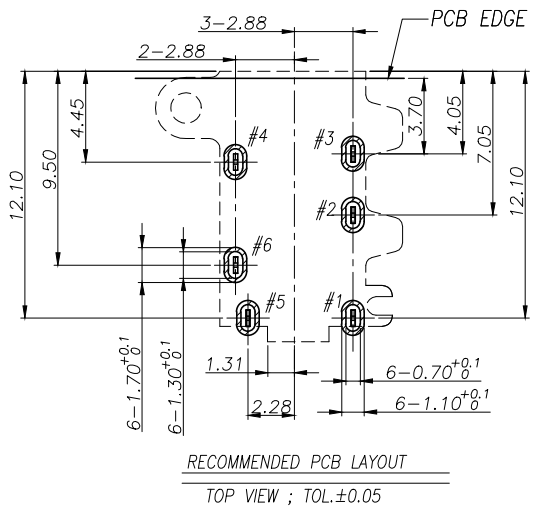
| REV. | ECN NO OR DESCRIPTION | REVISED | DATE |
|------|-----------------------|---------|------------|
| A | PDR NO: T220613-3A | Jiujian | 2023.04.12 |

SPECIFICATIONS:

- ELECTRICAL CHARACTERISTICS:
 - 1-1. RATING: 12V 1A
 - 1-2. CONTACT RESISTANCE: 50mΩ MAX.(INITIAL)
 - 1-3. DIELECTRIC WITHSTANDING VOLTAGE: 500V AC FOR ONE MINUTE
 - 1-4. INSULATION RESISTANCE: 100MΩ MIN. MEASURED BY 500 VDC
- MECHANICAL CHARACTERISTICS:
 - 2-1. INSERTION FORCE: 0.3~3.0Kgf;
 - 2-2. WITHDRAWAL FORCE: 0.3~3.0Kgf;
- LIFE TEST: 5,000 CYCLES.
- AFTER LIFE TEST, CONTACT RESISTANCE: 100mΩ MAX.
- PACKAGING: TAPE & REEL.
- MARKING: MARK "S" ON JACK.
- TO CONFORM TO SINGATRON HAZARDOUS SUBSTANCE FREE SPEC.
- HALOGEN FREE PRODUCT IDENTIFICATION MARK ON PRODUCT:
- HALOGEN FREE PRODUCT IDENTIFICATION LOGO ON PACKAGING:
- PRINTED DATE CODE "YMD-" ON TOP OF JACK.



DETAIL:A
SCALE 1:1



| | | | | |
|--|-------------------|--|----------------------------------|---|
| H | SEPARATOR | 1 | HIGH TEMP.THERMOPLASTIC UL 94V-0 | BLACK |
| G | MAKE TERMINAL | 1 | PHOSPHOR BRONZE 0.2t | GOLD FLASH ON CONTACT AREA; GOLD FLASH ON SOLDER AREA; ALL OVER Ni 50u" Min. |
| F | TRANSFER TERMINAL | 1 | PHOSPHOR BRONZE 0.2t | |
| E | TIP SPRING | 1 | STAINLESS STEEL 0.2t | |
| D | RING A | 1 | PHOSPHOR BRONZE 0.2t | Au 30" Min. ON CONTACT AREA; GOLD FLASH ON SOLDER AREA; ALL OVER Ni 50u" Min. |
| C | RING B | 1 | PHOSPHOR BRONZE 0.2t | |
| B | EARTH | 1 | PHOSPHOR BRONZE 0.2t | |
| A | BODY | 1 | HIGH TEMP.THERMOPLASTIC UL 94V-0 | BLACK |
| NO | DESCRIPTION | QTY | MATERIAL | PLATING & COLOR |
| UNLESS OTHERWISE SPECIFIED TOLERANCES | | Singatron Enterprise Co., Ltd. 信音企業股份有限公司 | | |
| DECIMALS: X :±0.5 X.X :±0.3 X.XX :±0.2 | | ANGLES: X :±2' X.X :±1' | | TITLE |
| | | DWN Jiujian | | 03.50 AUDIO JACK |
| | | CHKD Bruce | | PART NO.2SJ3098-045111F |
| | | APVD Liao | | SCALE 1:1 UNIT: mm |
| | | SIZE: A3 SHEET:1 OF 1 | | REV: A |
| CUSTOMER COPY | | | | |