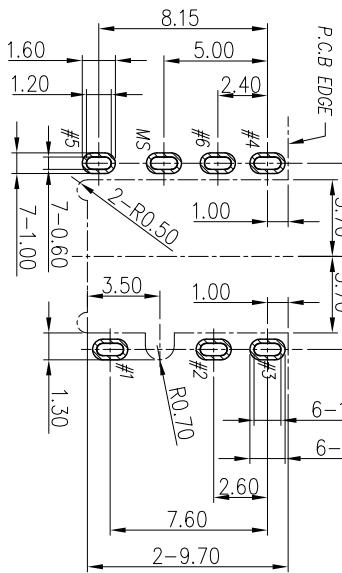
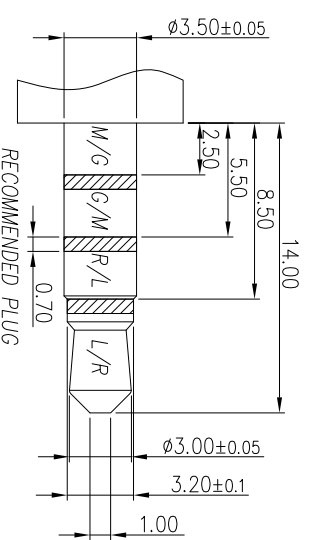
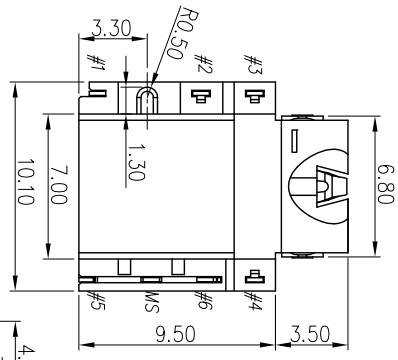
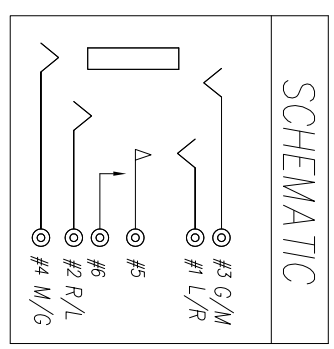
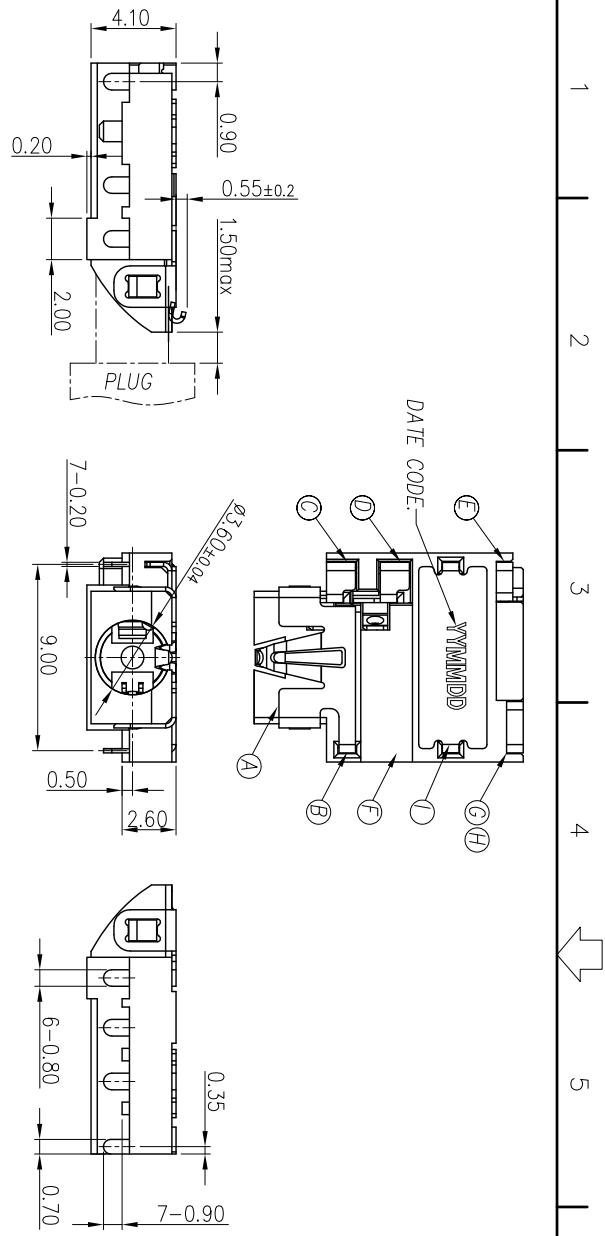


REV.	ECN NO.	OR DESCRIPTION	REVISED	DATE
A	PDR NO: T130507-7A	Owen	2013.12.12	

**SPECIFICATIONS:**

- INSULATION RESISTANCE BETWEEN ANY ADJACENT OPEN CIRCUIT TERMINAL SHELL NOT BE LESS THAN 100M Ω MEASURED BY 500 VDC.
- CONTACT RESISTANCE: 50mΩ MAX(INITIAL).
- INSULATION VOLTAGE WITHSTAND: 500V AC FOR ONE MINUTE.
- UNLESS OTHERWISE SPECIFIED, TEST IS TO BE MADE AT 5-35°C IN TEMPERATURE AND 45-85% IN HUMIDITY. BUT, IF ANY VAGUE DATA IS OCCURRED ON TEST RESULT, ANOTHER TEST SHALL BE MADE AT 20°C±2°C IN TEMP., 60-70% IN HUMIDITY.
- LIFE TEST: 5,000 CYCLES MIN.
- INSERTION FORCE: 0.3 - 3kg.
- WITHDRAWAL FORCE: 0.2 - 3kg.
- AFTER LIFE TEST, CONTACT RESISTANCE: 100mΩ MAX.
- AFTER HUMIDITY TEST, INSULATION RESISTANCE: 50MΩ MIN.
- MARKING: MARK "S" ON TOP OF CONNECTOR.
- PACKING: TAPE & REEL.
- TO CONFORM TO SINGATRON HAZARDOUS SUBSTANCE FREE SPEC.
- HALOGEN FREE PRODUCT IDENTIFICATION MARK ON PRODUCT:
- HALOGEN FREE PRODUCT IDENTIFICATION LOGO ON PACKAGING:



NO	DESCRIPTION	QTY	MATERIAL	PLATING & COLOR
I	SHELL	1	SUS304-1/2H 0.2t	Ni 60% Min.
H	SEPARATOR	1	HIGH TEMP THERMOPLASTIC UL 94V-0	BLACK
G	TRANSFER TERMINAL	1	PHOSPHOR BRONZE 0.2t	GOLD FLASH ON CONTACT AREA; GOLD FLASH ON SOLDER AREA; ALL OVER 50μ" Ni.
F	MAKE TERMINAL	1	PHOSPHOR BRONZE 0.2t	ALL OVER 50μ" Ni.
E	TIP SPRING	1	PHOSPHOR BRONZE 0.2t	GOLD FLASH ON CONTACT AREA; GOLD FLASH ON SOLDER AREA; ALL OVER 50μ" Ni.
D	RING A	1	PHOSPHOR BRONZE 0.2t	ALL OVER 50μ" Ni.
C	RING B	1	PHOSPHOR BRONZE 0.2t	ALL OVER 50μ" Ni.
B	EARTH	1	PHOSPHOR BRONZE 0.2t	ALL OVER 50μ" Ni.
A	BODY	1	HIGH TEMP THERMOPLASTIC UL 94V-0	BLACK

Singatron Enterprise Co., Ltd.  
信譽企業股份有限公司

TITLE: 3.5Φ PHONE JACK  
DWG: Owen  
CHKD: Bruce  
APVD: Lussen

PART NO: 2S13108-000111F  
SCALE: 4:1  
UNIT: mm  
SHEET: 1 OF 1  
REV: A

CUSTOMER COPY