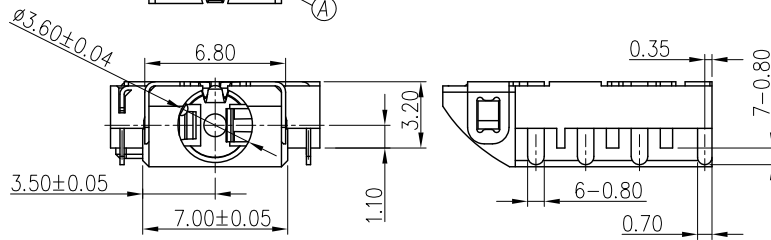
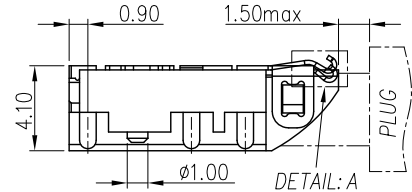
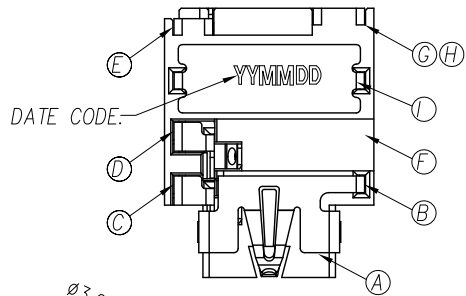
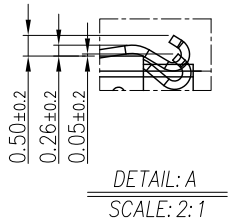
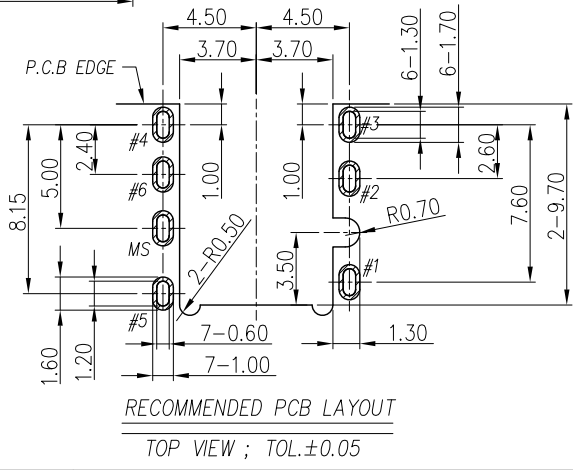
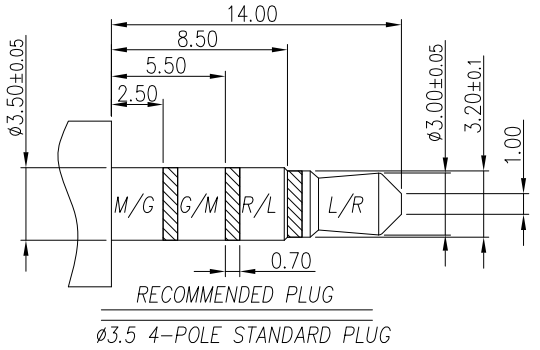
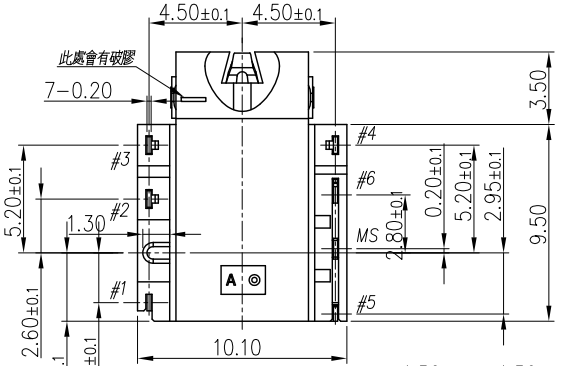
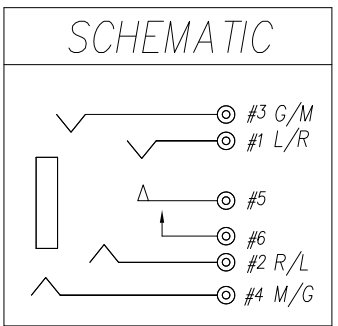


REV.	ECN NO OR DESCRIPTION	REVISED	DATE
A	PDR NO: T141020-13A	Owen	2014.12.19



- SPECIFICATIONS:
- INSULATION RESISTANCE BETWEEN ANY ADJACENT OPEN CIRCUIT TERMINAL SHELL NOT BE LESS THAN 100MΩ MEASURED BY 500 VDC.
  - CONTACT RESISTANCE: 50mΩ MAX(INITIAL).
  - INSULATION VOLTAGE WITHSTAND: 500V AC FOR ONE MINUTE.
  - UNLESS OTHERWISE SPECIFIED. TEST IS TO BE MADE AT 5-35°C IN TEMPERATURE AND 45-85% IN HUMIDITY. BUT, IF ANY VAGUE DATA IS OCCURED ON TEST RESULT, ANOTHER TEST SHALL BE MADE AT 20°C±2°C IN TEMP., 60-70% IN HUMIDITY.
  - LIFE TEST: 5,000 CYCLES MIN.
  - INSERTION FORCE: 0.3 - 3Kg.
  - WITHDRAWAL FORCE: 0.2 - 3Kg.
  - AFTER LIFE TEST, CONTACT RESISTANCE: 100mΩ MAX.
  - AFTER HUMIDITY TEST, INSULATION RESISTANCE: 50MΩ MIN.
  - MARKING: MARK "S" ON TOP OF CONNECTOR.
  - PACKING : TAPE & REEL.
  - TO CONFORM TO SINGATRON HAZARDOUS SUBSTANCE FREE SPEC.
  - HALOGEN FREE PRODUCT IDENTIFICATION MARK ON PRODUCT:
  - HALOGEN FREE PRODUCT IDENTIFICATION LOGO ON PACKAGING:



NO	DESCRIPTION	QTY	MATERIAL	PLATING & COLOR
I	SHELL	1	SUS304-1/2H 0.2t	Ni 60u"Min.
H	SEPARATOR	1	HIGH TEMP.THERMOPLASTIC UL 94V-0	BLACK
G	MAKE TERMINAL	1	PHOSPHOR BRONZE 0.2t	GOLD FLASH ON CONTACT AREA; GOLD FLASH ON SOLDER AREA; ALL OVER 50u" Ni.
F	TRANSFER TERMINAL	1	PHOSPHOR BRONZE 0.2t	
E	TIP SPRING	1	PHOSPHOR BRONZE 0.2t	GOLD FLASH ON CONTACT AREA;
D	RING A	1	PHOSPHOR BRONZE 0.2t	Matte Sn80u" ON SOLDER AREA;
C	RING B	1	PHOSPHOR BRONZE 0.2t	ALL OVER 50u" Ni.
B	EARTH	1	PHOSPHOR BRONZE 0.2t	
A	BODY	1	HIGH TEMP.THERMOPLASTIC UL 94V-0	BLACK
UNLESS OTHERWISE SPECIFIED TOLERANCES	Singatron Enterprise Co., Ltd. 信音企業股份有限公司			
DECIMALS:	ANGLES:	TITLE: 3.5Ø PHONE JACK		
X : ±0.5	X : ±2°	DWN	Owen	<b>PART NO.2SJ3108-012111F</b>
XX : ±0.3	XX : ±1°	CHKD	Bruce	SCALE 4:1 UNIT: mm
XXX : ±0.2		APVD	Lussen	SIZE: A3 SHEET: 1 OF 1 REV: A
<b>CUSTOMER COPY</b>				