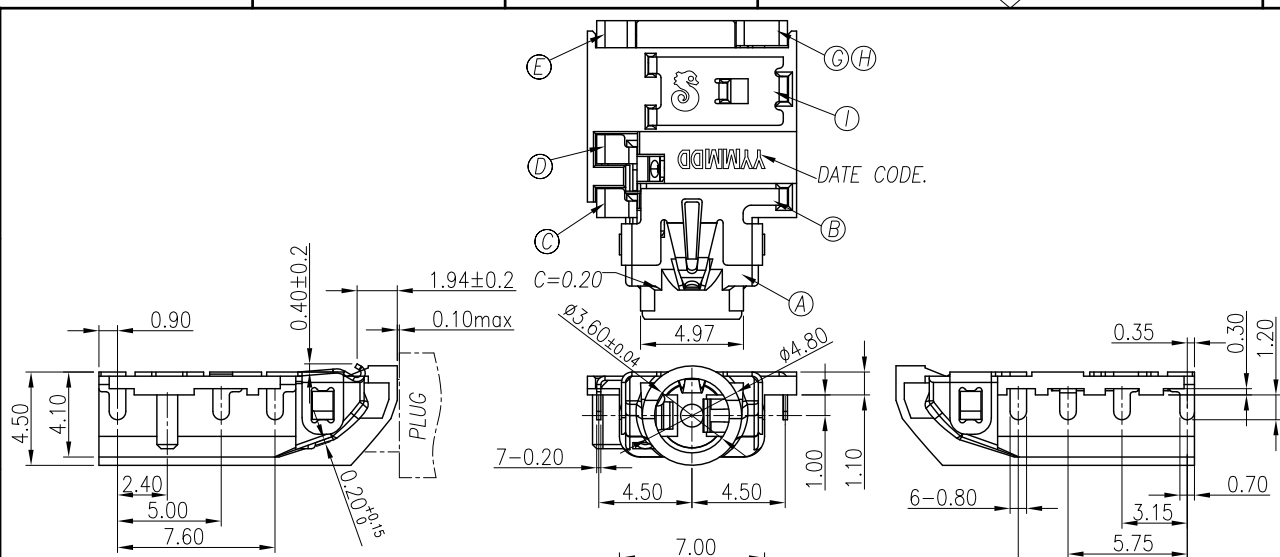
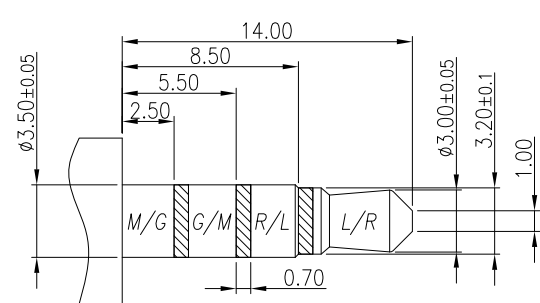
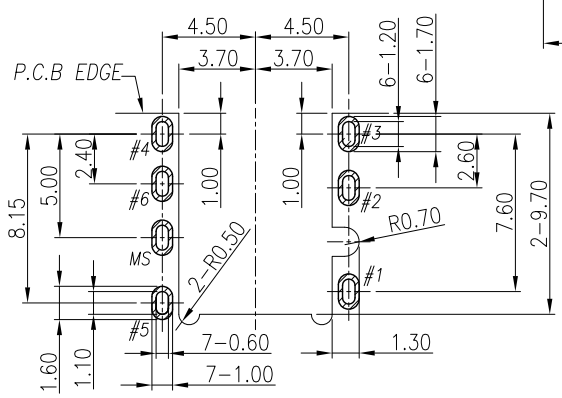
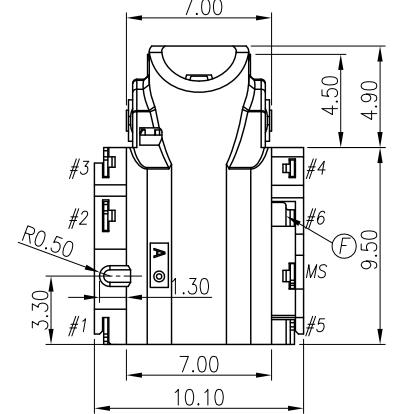
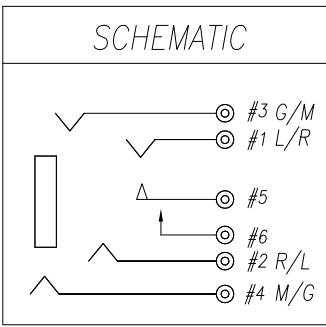


REV.	ECN NO OR DESCRIPTION	REVISED	DATE
A	PDR NO: T140107-6A	ROBIN	2014.07.18



SPECIFICATIONS:

- INSULATION RESISTANCE BETWEEN ANY ADJACENT OPEN CIRCUIT TERMINAL SHELL NOT BE LESS THAN 100M Ω MEASURED BY 500 VDC .
- CONTACT RESISTANCE: 50m Ω MAX(INITIAL).
- INSULATION VOLTAGE WITHSTAND:500V AC FOR ONE MINUTE.
- LIFE TEST: 5,000 CYCLES MIN.
- INSERTION FORCE: 0.3-3.0Kgf ,
- WITHDRAWAL FORCE: 0.3-3.0 Kgf,
- AFTER TEST, CONTACT RESISTANCE: 100m Ω MAX.
- AFTER HUMIDITY TEST, INSULATION RESISTANCE: 50M Ω MIN.
- MARKING: MARK "S" ON TOP OF CONNECTOR.
- PACKING : TAPE & REEL.
- TO CONFORM TO SINGATRON HAZARDOUS SUBSTANCE FREE SPEC.
- HALOGEN FREE PRODUCT IDENTIFICATION MARK ON PRODUCT:
- HALOGEN FREE PRODUCT IDENTIFICATION LOGO ON PACKAGING:



NO	DESCRIPTION	QTY	MATERIAL	PLATING & COLOR
I	SHELL	1	SUS304-1/2H 0.2t	Ni 60u"Min.
H	SEPARATOR	1	HIGH TEMP.THERMOPLASTIC UL 94V-0	BLACK
G	TRANSFER TERMINAL	1	PHOSPHOR BRONZE 0.2t	GOLD FLASH ON CONTACT AREA;
F	MAKE TERMINAL	1	PHOSPHOR BRONZE 0.2t	GOLD FLASH ON SOLDER AREA;
E	TIP SPRING	1	PHOSPHOR BRONZE 0.2t	ALL OVER 50u" Ni.
D	RING A	1	PHOSPHOR BRONZE 0.2t	GOLD FLASH ON CONTACT AREA;
C	RING B	1	PHOSPHOR BRONZE 0.2t	Matte Sn120u" ON SOLDER AREA
B	EARTH	1	PHOSPHOR BRONZE 0.2t	ALL OVER 50u" Ni.
A	BODY	1	HIGH TEMP.THERMOPLASTIC UL 94V-0	BLACK
NO	DESCRIPTION	QTY	MATERIAL	PLATING & COLOR
UNLESS OTHERWISE SPECIFIED TOLERANCES		Singatron Enterprise Co., Ltd. 信音企業股份有限公司		
DECIMALS: ANGLES:		TITLE		
X :±0.5	X :±2°	3.5 ϕ PHONE JACK		
X.X :±0.3	X.X :±1°	DWN	ROBIN	PART NO.2SJ3108-016111F
X.XX :±0.2		CHKD	Bruce	SCALE 4:1 UNIT: mm
		APVD	Lussen	SIZE: A3 SHEET:1 OF 1 REV: A
CUSTOMER COPY				

RECOMMENDED PCB LAYOUT
TOP VIEW ; TOL.±0.05

RECOMMENDED PLUG
 $\phi 3.5$ 4-POLE STANDARD PLUG