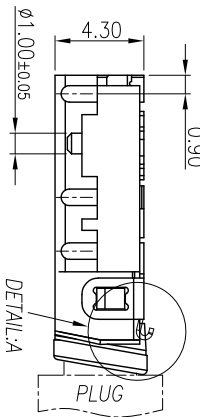
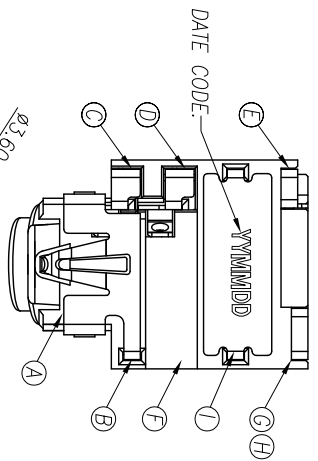


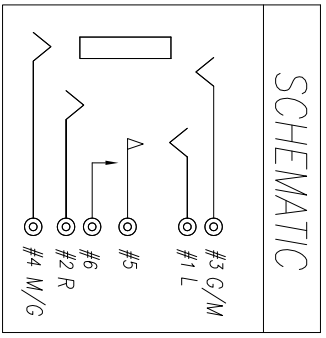
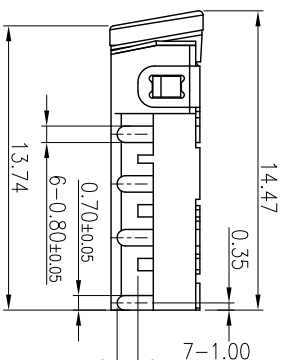
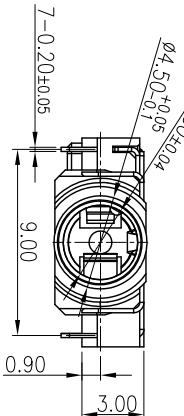
DETAIL A
SCALE: 2:1



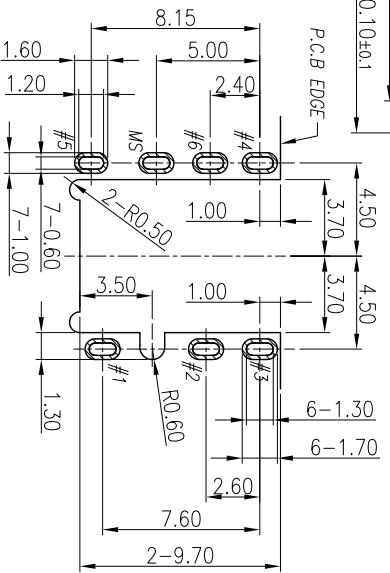
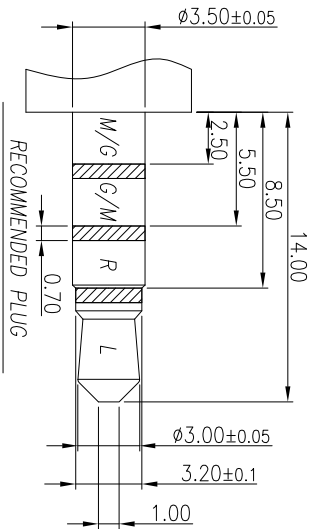
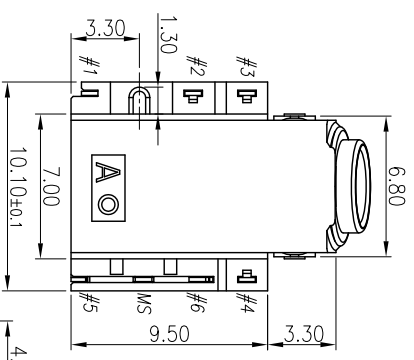
DETAIL A



DATE CODE: YYMMDD



SCHEMATIC



RECOMMENDED PCB LAYOUT
TOP VIEW : TOL.:±0.05

SPECIFICATIONS:

- INSULATION RESISTANCE BETWEEN ANY ADJACENT OPEN CIRCUIT TERMINAL SHELL NOT BE LESS THAN 100MΩ MEASURED BY 500 VDC.
- CONTACT RESISTANCE: 50mΩ MAX(INITIAL).
- INSULATION VOLTAGE WITHSTAND: 500V AC FOR ONE MINUTE.
- UNLESS OTHERWISE SPECIFIED. TEST IS TO BE MADE AT 5-35°C IN TEMPERATURE AND 45-85% IN HUMIDITY. BUT IF ANY VAGUE DATA IS OCCURED ON TEST RESULT, ANOTHER TEST SHALL BE MADE AT 20°C±2°C IN TEMP., 60-70% IN HUMIDITY.
- LIFE TEST: 10,000 CYCLES MIN.
- INSERTION FORCE: 0.3 - 3kg.
- WITHDRAWAL FORCE: 0.2 - 3kg.
- AFTER LIFE TEST, CONTACT RESISTANCE: 100mΩ MAX.
- AFTER HUMIDITY TEST, INSULATION RESISTANCE: 50MΩ MIN.
- MARKING: MARK "S" ON TOP OF CONNECTOR.
- PACKING : TAPE & REEL.
- TO CONFORM TO SINGATRON HAZARDOUS SUBSTANCE FREE SPEC.
- HALOGEN FREE PRODUCT IDENTIFICATION MARK ON PRODUCT:
- HALOGEN FREE PRODUCT IDENTIFICATION LOGO ON PACKAGING:

REV	ECON NO	OR DESCRIPTION	REVISED	DATE
B	ECON NO: S140862	ANDY	2014.10.22	
C	ECON NO: S141030	ANDY	2014.11.27	
D	ECON NO: S141158	ANDY	2014.12.26	

I	SHELL	1	SUS304-1/2H 0.2t	NI 60U "MIN.
H	SEPARATOR	1	HIGH TEMP.THERMOPLASTIC UL 94V-0	BLACK
G	TRANSFER TERMINAL	1	PHOSPHOR BRONZE 0.2t	GOLD FLASH ON CONTACT AREA GOLD FLASH ON SOLDER AREA ALL OVER 50U" NI.
F	MAKE TERMINAL	1	PHOSPHOR BRONZE 0.2t	
E	TIP SPRING	1	PHOSPHOR BRONZE 0.2t	GOLD FLASH ON CONTACT AREA
D	RING A	1	PHOSPHOR BRONZE 0.2t	Make Solder ON SOLDER AREA ALL OVER 50U" NI.
C	RING B	1	PHOSPHOR BRONZE 0.2t	
B	EARTH	1	PHOSPHOR BRONZE 0.2t	
A	BODY	1	PA4T+50%GF (無鉛) UL 94V-0	BLACK
NO	DESCRIPTION	QTY	MATERIAL	PLATING & COLOR
UNLESS OTHERWISE SPECIFIED TOLERANCES				
DECIMALS: ANGLES:				
X :±0.5 X :±2'				
X.X :±0.3 X.X :±1'				
X.XX :±0.2				
TITLE: 3.5Ø PHONE JACK				
DWG: ANDY PART NO.2S13108-022111F				
CHKD: CERRY SCALE 4:1 UNIT: mm				
APVD: LAO SIZE: A3 SHEET: 1 OF 1 REV: D				
CUSTOMER COPY				

Singatron Enterprise Co., Ltd.
信譽企業股份有限公司