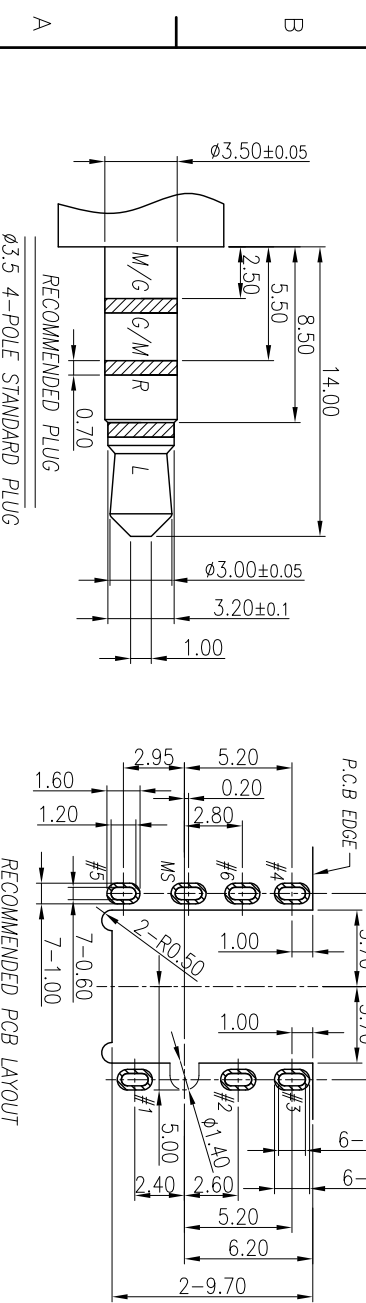
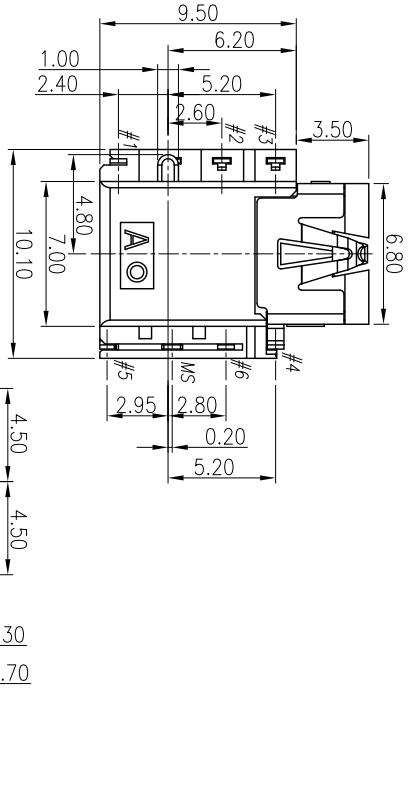
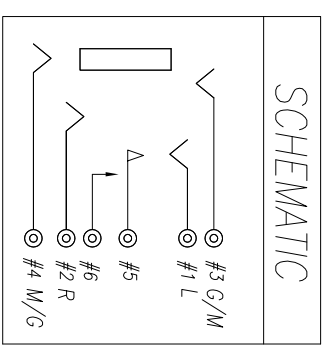
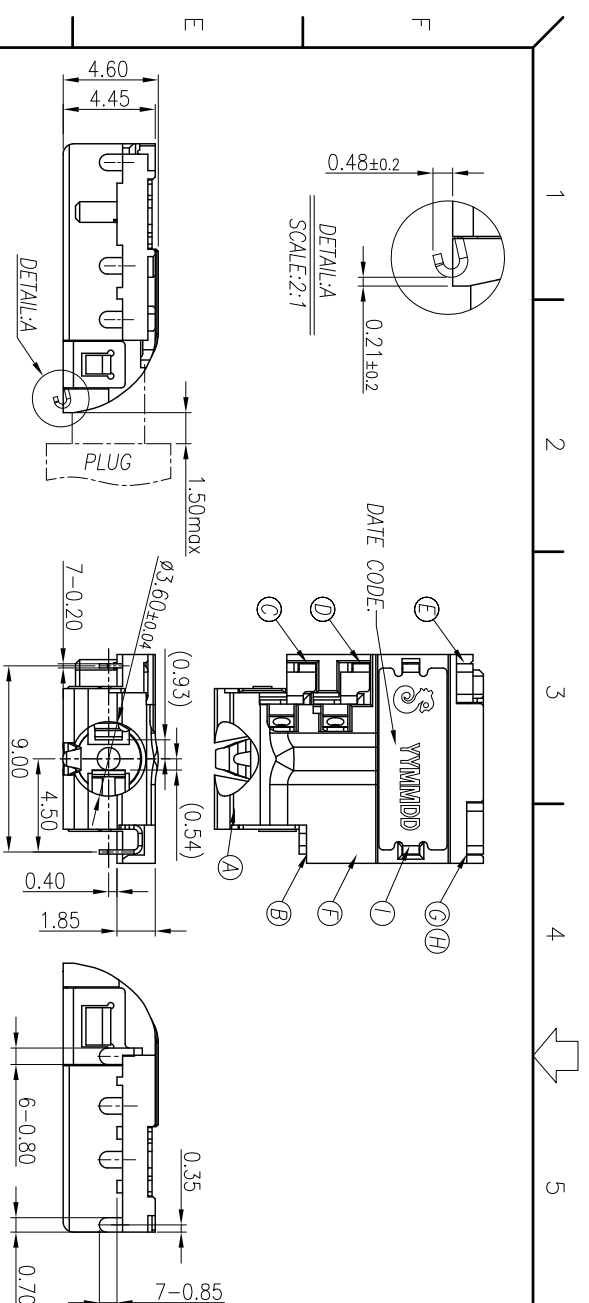


REV	EGN NO	OR DESCRIPTION	REVISED	DATE
A	PDR	NO:T140711-6A	Danfeng	2015.04.22

SPECIFICATIONS:

1. INSULATION RESISTANCE BETWEEN ANY ADJACENT OPEN CIRCUIT TERMINAL SHELL NOT BE LESS THAN 100MΩ MEASURED BY 500 VDC.
2. CONTACT RESISTANCE: 50mΩ MAX(INITIAL).
3. INSULATION VOLTAGE WITHSTAND:500V AC FOR ONE MINUTE.
4. UNLESS OTHERWISE SPECIFIED. TEST IS TO BE MADE AT 5-35°C IN TEMPERATURE AND 45-85% IN HUMIDITY. BUT IF ANY VAGUE DATA IS OCCURED ON TEST RESULT, ANOTHER TEST SHALL BE MADE AT 20°C±2°C IN TEMP., 60-70% IN HUMIDITY.
5. LIFE TEST: 5,000 CYCLES MIN.
6. INSERTION FORCE: 0.3 - 3kg.
7. WITHDRAWAL FORCE: 0.2 - 3kg.
8. AFTER LIFE TEST, CONTACT RESISTANCE: 100mΩ MAX.
9. AFTER HUMIDITY TEST, INSULATION RESISTANCE: 50MΩ MIN.
10. MARKING: MARK "☉" ON TOP OF CONNECTOR.
11. PACKING : TAPE & REEL.
12. TO CONFORM TO SINGATRON HAZARDOUS SUBSTANCE FREE SPEC.
13. HALOGEN FREE PRODUCT IDENTIFICATION MARK ON PRODUCT: ☉
14. HALOGEN FREE PRODUCT IDENTIFICATION LOGO ON PACKAGING: Ⓢ



I	SHELL	1	SUS304-1/2H 0.2t	N° 60U Min.
H	SEPARATOR	1	HIGH TEMP.THERMOPLASTIC UL 94V-0	BLACK
G	TRANSFER TERMINAL	1	PHOSPHOR BRONZE 0.2t	GOLD FLASH ON CONTACT AREA GOLD FLASH ON SOLDER AREA ALL OVER 50U° Ni
F	MAKE TERMINAL	1	PHOSPHOR BRONZE 0.2t	GOLD FLASH ON CONTACT AREA Make Solder ON SOLDER AREA ALL OVER 50U° Ni
E	TIP SPRING	1	PHOSPHOR BRONZE 0.2t	450U° ON CONTACT AREA
D	RING A	1	PHOSPHOR BRONZE 0.2t	Make Solder ON SOLDER AREA
C	RING B	1	PHOSPHOR BRONZE 0.2t	ALL OVER 50U° Ni
B	EARTH	1	PHOSPHOR BRONZE 0.2t	
A	BODY	1	HIGH TEMP.THERMOPLASTIC UL 94V-0	BLACK
NO	DESCRIPTION	QTY	MATERIAL	PLATING & COLOR

UNLESS OTHERWISE SPECIFIED TOLERANCES

DECIMALS: ANGLES:

X :±0.5 X :±2°

X.X :±0.3 X.X :±1°

X.XX :±0.2

TITLE	PART NO.	SCALE	UNIT	SHEET	REV.
Danfeng	3.5Ø PHONE JACK	4:1	mm	1 OF 1	A
Bruce	2S3108-027111F	A3			
APVD	Lussen				

CUSTOMER COPY

Singatron Enterprise Co., Ltd.
信登企業股份有限公司