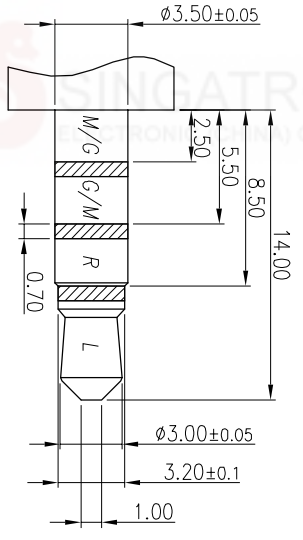
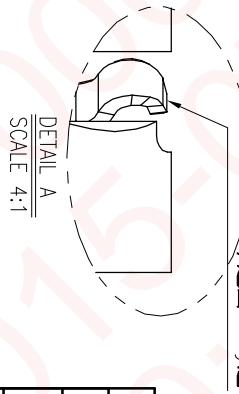
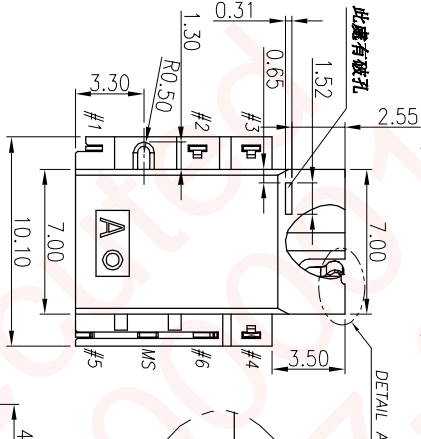
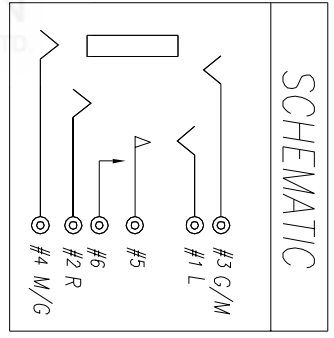
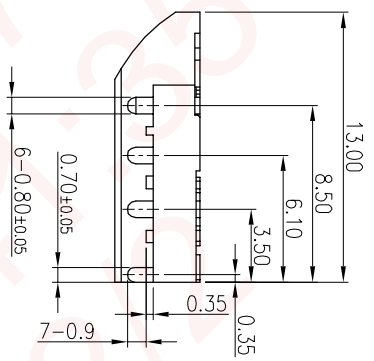
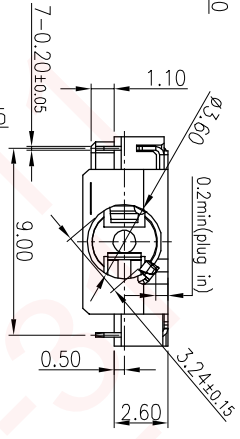
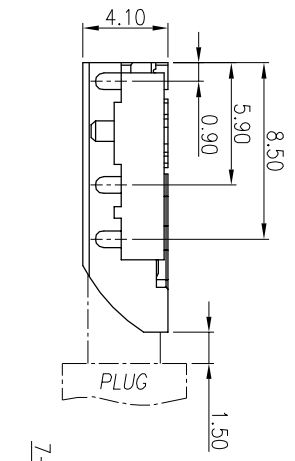
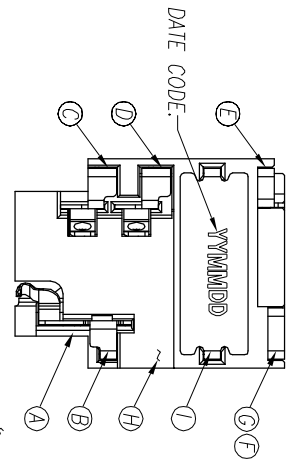
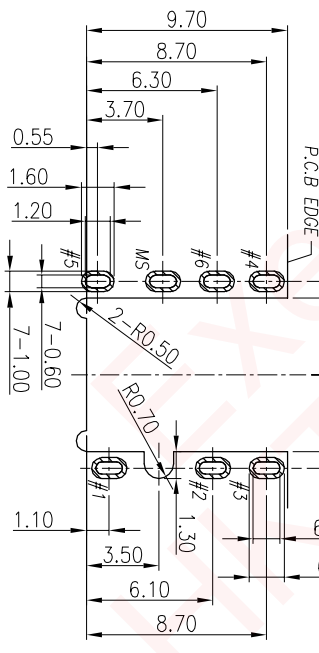


REV.	ECN NO. OR DESCRIPTION	REVISED	DATE
A	PDR NO: S150309-3A	Ming	2015.06.05



RECOMMENDED PLUG

Ø3.5 4-POLE PLUG(TOL.±0.05)



RECOMMENDED PCB LAYOUT

TOP VIEW : TOL.±0.05

SPECIFICATIONS:

- INSULATION RESISTANCE BETWEEN ANY ADJACENT OPEN CIRCUIT TERMINAL SHELL NOT BE LESS THAN 100MΩ MEASURED BY 500 VDC.
- CONTACT RESISTANCE: 50mΩ MAX(INITIAL).
- INSULATION VOLTAGE WITHSTAND:500V AC FOR ONE MINUTE.
- UNLESS OTHERWISE SPECIFIED, TEST IS TO BE MADE AT 5-35°C IN TEMPERATURE AND 45-85% IN HUMIDITY. BUT,IF ANY VAGUE DATA IS OCCURED ON TEST RESULT, ANOTHER TEST SHALL BE MADE AT 20C±2°C IN TEMP., 60-70% IN HUMIDITY.
- LIFE TEST: 5,000 CYCLES MIN.
- INSERTION FORCE: 0.3 - 3kg.
- WITHDRAWAL FORCE: 0.2 - 3kg.
- AFTER LIFE TEST, CONTACT RESISTANCE: 100mΩ MAX.
- AFTER HUMIDITY TEST, INSULATION RESISTANCE: 50MΩ MIN.
- MARKING: MARK "S" ON TOP OF CONNECTOR.
- PACKING : TAPE & REEL.
- TO CONFORM TO SINGATRON HAZARDOUS SUBSTANCE FREE SPEC.
- HALOGEN FREE PRODUCT IDENTIFICATION MARK ON PRODUCT:
- HALOGEN FREE PRODUCT IDENTIFICATION LOGO ON PACKAGING:

I	SHELL	1	SUS304-1/2H 0.2t	Ni 60u "Min.
H	SEPARATOR	1	LCP E130I +30% GF UL 94V-0	BLACK
G	TRANSFER TERMINAL	1	CH5210-EH 0.2t	COLD FLASH ON CONTACT AREA COLD FLASH ON SOLDER AREA ALL OVER 50u "In.
F	MAKE TERMINAL	1	CH5210-EH 0.2t	COLD FLASH ON CONTACT AREA WATE SMOBU" ON SOLDER AREA ALL OVER 50u " In.
E	TIP SPRING	1	CH5210-EH 0.2t	COLD FLASH ON CONTACT AREA
D	RING A	1	CH5210-EH 0.2t	WATE SMOBU" ON SOLDER AREA
C	RING B	1	CH5210-EH 0.2t	ALL OVER 50u " In.
B	EARTH	1	CH5210-EH 0.2t	
A	BODY	1	PA4T+30%GF,UL94V-0	BLACK
NO	DESCRIPTION	QTY	MATERIAL	PLATING & COLOR
UNLESS OTHERWISE SPECIFIED TOLERANCES				
Singatron Enterprise Co., Ltd. 信晉企業股份有限公司				
DECIMALS: ANGLES:				
X	:±0.5	X	:±2°	
X.X	:±0.3	X.X	:±1°	
X.XX	:±0.2			
TITLE: 3.5Ø PHONE JACK				
DWN	Ming	PART NO.	2S3108-042111F	
CHKD	Bruce	SCALE	4:1	UNIT: mm
APVD	Lussen	SIZE: A3	SHEET: 1 OF 1	REV: A
CUSTOMER COPY				

