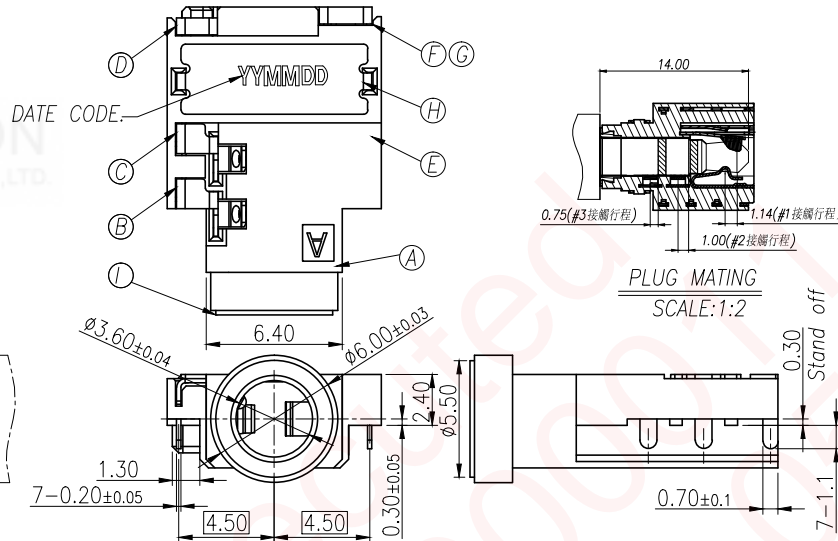


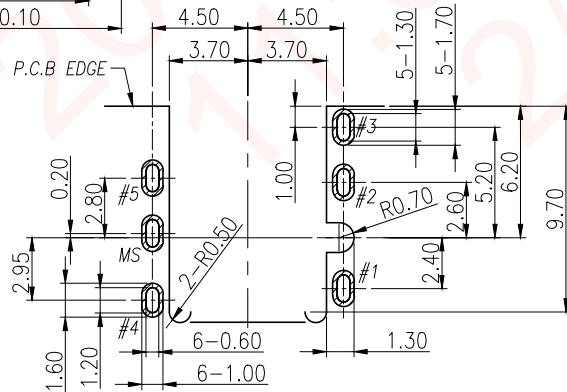
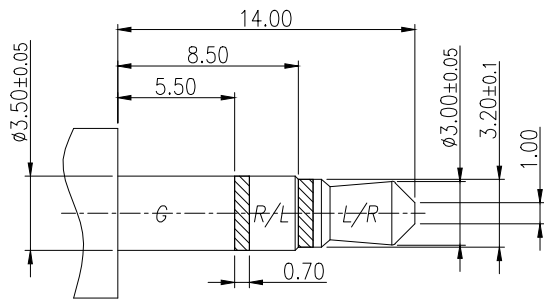
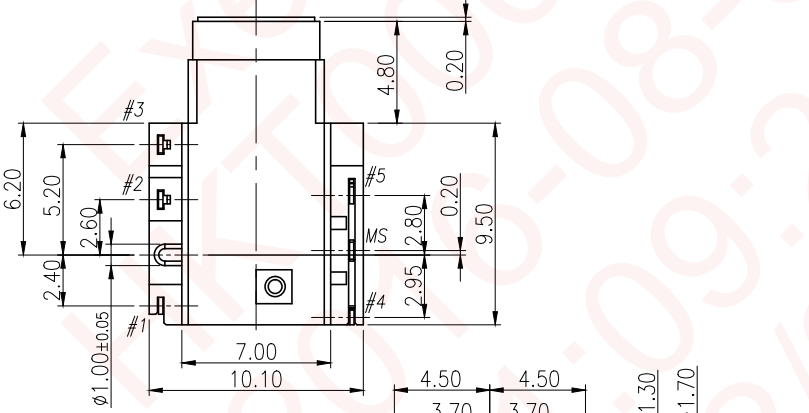
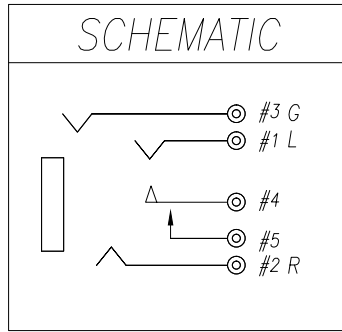


REV.	ECN NO OR DESCRIPTION	REVISED	DATE
A	PDR NO: T150409-5A	Bruce	2015.10.13
B	ECN NO: S160409-C Δ	Ken	2016.07.15



SPECIFICATIONS:

- INSULATION RESISTANCE BETWEEN ANY ADJACENT OPEN CIRCUIT TERMINAL SHELL NOT BE LESS THAN 100M Ω . MEASURED BY 500 VDC.
- CONTACT RESISTANCE: 50m Ω MAX(INITIAL).
- INSULATION VOLTAGE WITHSTAND: 500V AC FOR ONE MINUTE.
- UNLESS OTHERWISE SPECIFIED, TEST IS TO BE MADE AT 5-35°C IN TEMPERATURE AND 45-85% IN HUMIDITY. BUT, IF ANY VAGUE DATA IS OCCURED ON TEST RESULT, ANOTHER TEST SHALL BE MADE AT 20°C \pm 2°C IN TEMP., 60-70% IN HUMIDITY.
- LIFE TEST: 5,000 CYCLES MIN.
- Δ INSERTION FORCE:
 - INITIAL: 1.0~4.0 kgf.
 - AFTER LIFE TEST: 1.0~3.0 kgf.
- Δ WITHDRAWAL FORCE:
 - INITIAL: 1.0~3.0 kgf.
 - AFTER LIFE TEST: 1.0~3.0 kgf.
- AFTER LIFE TEST, CONTACT RESISTANCE: 100m Ω MAX.
- AFTER HUMIDITY TEST, INSULATION RESISTANCE: 50M Ω MIN.
- MARKING: MARK "S" ON TOP OF CONNECTOR.
- PACKING : TAPE & REEL.
- TO CONFORM TO SINGATRON HAZARDOUS SUBSTANCE FREE SPEC.
- HALOGEN FREE PRODUCT IDENTIFICATION MARK ON PRODUCT: \odot
- HALOGEN FREE PRODUCT IDENTIFICATION LOGO ON PACKAGING: \oplus



NO	DESCRIPTION	QTY	MATERIAL	PLATING & COLOR
I	METAL	1	BRASS	GOLD FLASH ON ALL OVER 50u" Ni
H	SHELL	1	SUS304-1/2H 0.2t	Ni 60u" Min.
G	SEPARATOR	1	LCP E130i UL 94V-0	BLACK
F	TRANSFER TERMINAL	1	C5210-EH 0.2t	GOLD FLASH ON CONTACT AREA; GOLD FLASH ON SOLDER AREA; ALL OVER 50u" Ni
E	MAKE TERMINAL	1	C5210-EH 0.2t	GOLD FLASH ON CONTACT AREA; Matte Sn80u" ON SOLDER AREA; ALL OVER 50u" Ni
D	TIP SPRING	1	YCUT-FX-EH 0.2t Δ	
C	RING A	1	C5210-EH 0.2t	
B	EARTH	1	C5210-EH 0.2t	BALCK
A	BODY	1	PA4T TX1+30% GF UL 94V-0	

UNLESS OTHERWISE SPECIFIED TOLERANCES

Singatron Enterprise Co., Ltd.
信音企業股份有限公司

DECIMALS:	ANGLES:	TITLE	3.5 ϕ PHONE JACK		
X : \pm 0.5	X : \pm 2°	DWN Ken	PART NO. 2SJ3108-046111F		
X.X : \pm 0.3	X.X : \pm 1°	CHKD cerry	SCALE 4:1	UNIT: mm	\oplus
X.XX : \pm 0.2		APVD lussen	SIZE: A3	SHEET: 1 OF 1	REV: B

CUSTOMER COPY