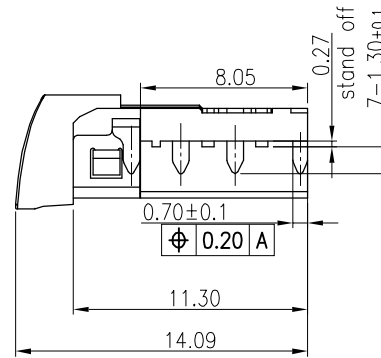
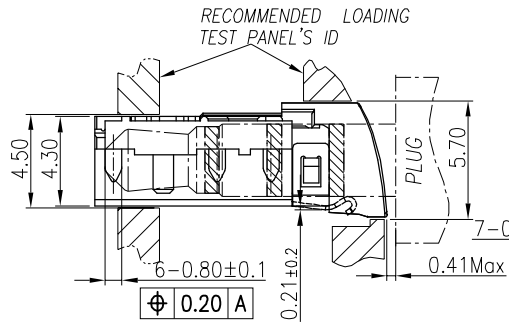
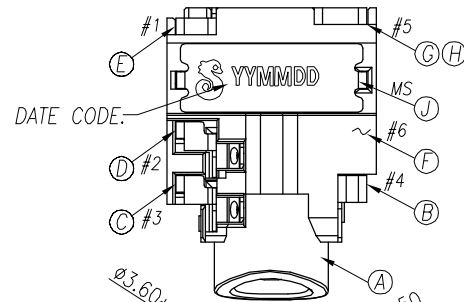
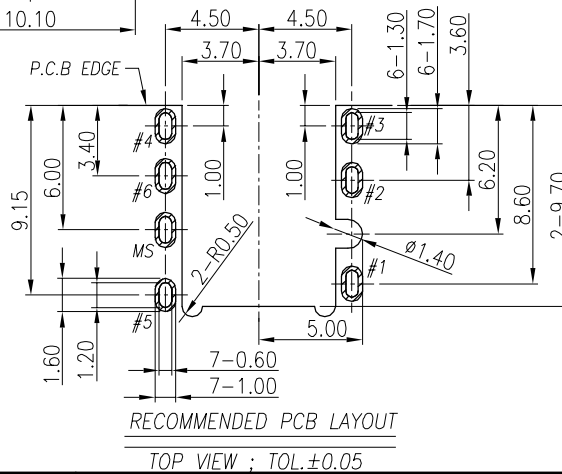
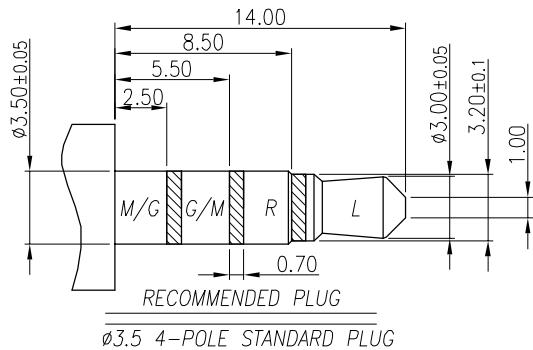
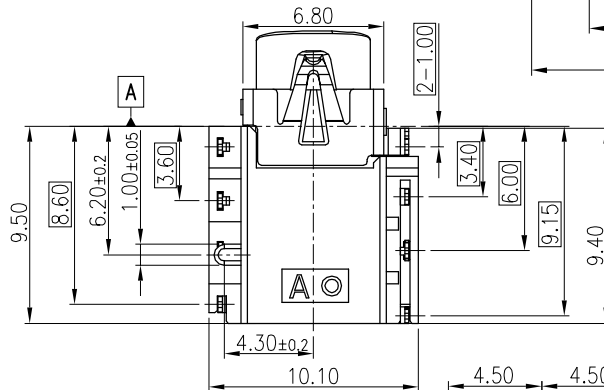
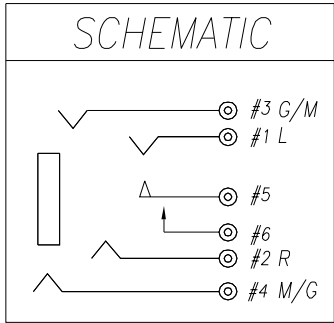


REV.	ECN NO OR DESCRIPTION	REVISED	DATE
A	PDR NO: T150930-2A	Yulin	2016.03.28
B	ECN NO: S170510-C	JIE-FU	2017.08.19



SPECIFICATIONS:

- INSULATION RESISTANCE BETWEEN ANY ADJACENT OPEN CIRCUIT TERMINAL SHELL NOT BE LESS THAN 100MΩ MEASURED BY 500 VDC.
- CONTACT RESISTANCE: 50mΩ MAX(INITIAL).
- INSULATION VOLTAGE WITHSTAND: 500V AC FOR ONE MINUTE.
- UNLESS OTHERWISE SPECIFIED. TEST IS TO BE MADE AT 5-35°C IN TEMPERATURE AND 45-85% IN HUMIDITY. BUT, IF ANY VAGUE DATA IS OCCURED ON TEST RESULT, ANOTHER TEST SHALL BE MADE AT 20°C±2°C IN TEMP., 60-70% IN HUMIDITY.
- LIFE TEST: 5,000 CYCLES MIN.
- INSERTION FORCE: 0.3 - 3Kg.
- WITHDRAWAL FORCE: 0.4 - 3Kg (INITIAL)..
- AFTER LIFE TEST, CONTACT RESISTANCE: 100mΩ MAX.
- AFTER HUMIDITY TEST, INSULATION RESISTANCE: 50MΩ MIN.
- MARKING: MARK "S" ON TOP OF CONNECTOR.
- PACKING : TAPE & REEL.
- TO CONFORM TO SINGATRON HAZARDOUS SUBSTANCE FREE SPEC.
- HALOGEN FREE PRODUCT IDENTIFICATION MARK ON PRODUCT:
- HALOGEN FREE PRODUCT IDENTIFICATION LOGO ON PACKAGING:
- OVERLOAD FORCE < 4KG.



NO	DESCRIPTION	QTY	MATERIAL	PLATING & COLOR
J	SHELL	1	SUS304-1/2H 0.2t	Ni 60u"Min.
H	SEPARATOR	1	LCP+30%GF E130i-BK UL 94V-0 無鹵	BLACK
G	TRANSFER TERMINAL	1	C5210-EH 0.2t	GOLD FLASH ON CONTACT AREA; GOLD FLASH ON SOLDER AREA; ALL OVER 50u" Ni.
F	MAKE TERMINAL	1	C5210-EH 0.2t	
E	TIP SPRING	1	SUS304-1/2H,0.2T	
D	EARTH	1	C5210-EH 0.2t	
C	RING A	1	C5210-EH 0.2t	GOLD FLASH ALL OVER 50u" Ni.
B	RING B	1	C5210-EH 0.2t	
A	BODY	1	PA4T+30%GF TiTX1-BK UL 94V-0 無鹵	BLACK

UNLESS OTHERWISE SPECIFIED TOLERANCES

Singatron Enterprise Co., Ltd.
信音企業股份有限公司

DECIMALS:	ANGLES:	TITLE	3.5Ø PHONE JACK		
X :±0.5	X :±2°	DWN	JIE-FU	PART NO.2SJ3108-059111F	
X.X :±0.3	X.X :±1°	CHKD	CERRY	SCALE 4:1	UNIT: mm
X.XX :±0.2		APVD	LUSSEN	SIZE: A3	SHEET: 1 OF 1 REV: B

CUSTOMER COPY