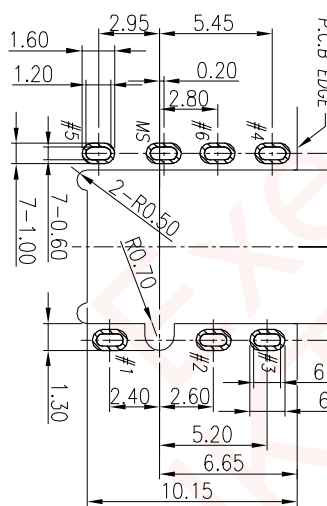
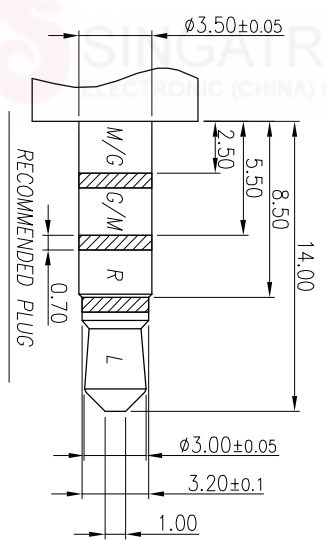
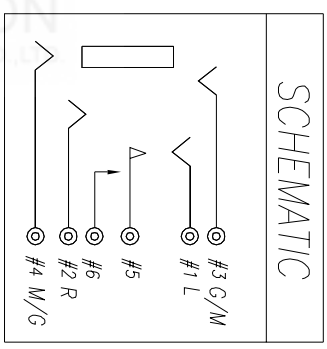
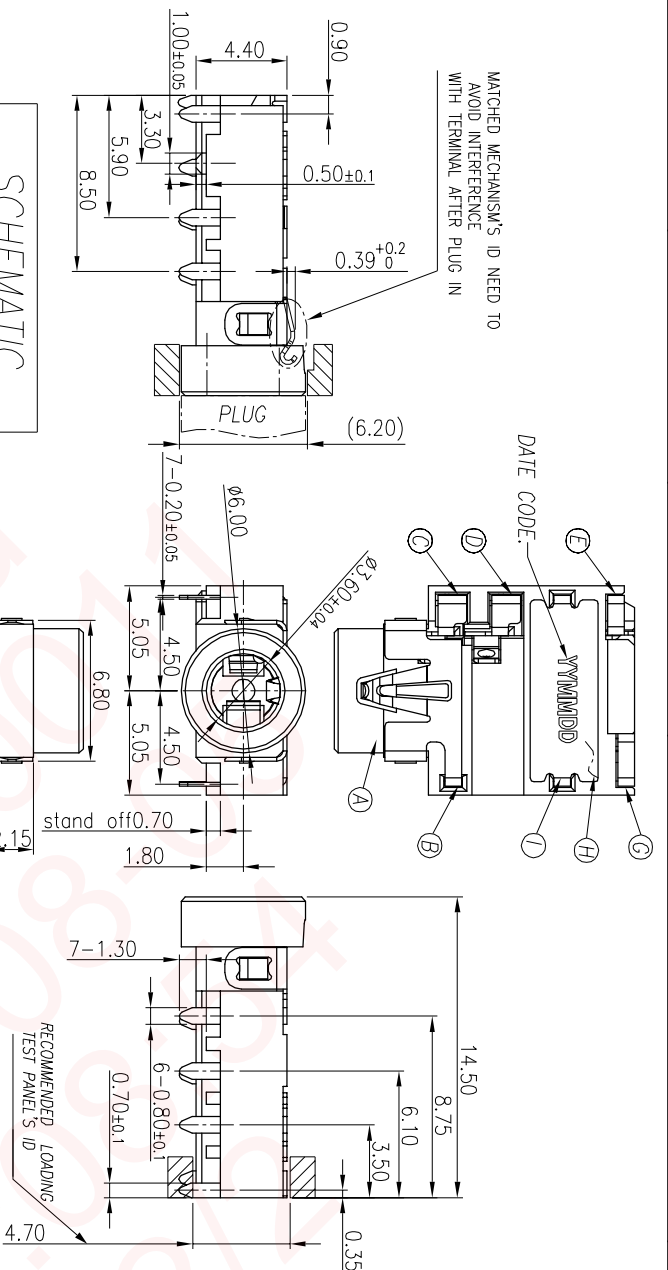


REV.	ECN NO.	OR DESCRIPTION	REVISED	DATE
A	PDR NO: T160222-1A	Ming		2016.07.22



- SPECIFICATIONS:
- INSULATION RESISTANCE BETWEEN ANY ADJACENT OPEN CIRCUIT TERMINAL SHELL NOT BE LESS THAN 100MΩ MEASURED BY 500 VDC.
 - CONTACT RESISTANCE: 50mΩ MAX(INITIAL).
 - INSULATION VOLTAGE WITHSTAND:500V AC FOR ONE MINUTE.
 - UNLESS OTHERWISE SPECIFIED, TEST IS TO BE MADE AT 5-35°C IN TEMPERATURE AND 45-85% IN HUMIDITY. BUT,IF ANY VAGUE DATA IS OCCURED ON TEST RESULT, ANOTHER TEST SHALL BE MADE AT 20°C±2°C IN TEMP., 60-70% IN HUMIDITY.
 - LIFE TEST: 5,000 CYCLES MIN.
 - INSERTION FORCE: 0.3 - 3kg.
 - WITHDRAWAL FORCE: 0.3 - 3kg.
 - AFTER LIFE TEST, CONTACT RESISTANCE: 100mΩ MAX.
 - AFTER HUMIDITY TEST, INSULATION RESISTANCE: 50mΩ MIN.
 - PACKING : TAPE & REEL.
 - TO CONFORM TO SINGATRON HAZARDOUS SUBSTANCE FREE SPEC.
 - HALOGEN FREE PRODUCT IDENTIFICATION MARK ON PRODUCT.
 - HALOGEN FREE PRODUCT IDENTIFICATION LOGO ON PACKAGING.

I	SHELL	1	SUS304-1/2H 0.2t	Ni 60% Min.
H	SEPARATOR	1	LCP E130/ UL 94V-0	BLACK
G	TRANSFER TERMINAL	1	C5210-EH 0.2t	GOLD FLASH ON CONTACT AREA; GOLD FLASH ON SOLDER AREA; ALL OVER 500° Ni
F	MAKE TERMINAL	1	C5210-EH 0.2t	
E	TIP SPRING	1	C5210-EH 0.2t	GOLD FLASH ON CONTACT AREA; White Sn60% ON SOLDER AREA; ALL OVER 500° Ni
D	RING A	1	C5210-EH 0.2t	
C	RING B	1	C5210-EH 0.2t	
B	EARTH	1	C5210-EH 0.2t	
A	BODY	1	PA4T+30%GF TX1 UL 94V-0	BLACK
NO	DESCRIPTION	QTY	MATERIAL	PLATING & COLOR
UNLESS OTHERWISE SPECIFIED TOLERANCES				
DECIMALS: ANGLES: X :±0.5 X :±2° X.X :±0.3 X.X :±1' X.XX :±0.2				
TITLE: 3.5Ø PHONE JACK				
DWN Ming PART NO.2S3J108-072111F				
CHKD Bruce SCALE 4:1 UNIT: mm				
APVD Lussen SIZE: A3 SHEET: 1 OF 1 REV: A				
CUSTOMER COPY				

Singatron Enterprise Co., Ltd.
信登企業股份有限公司