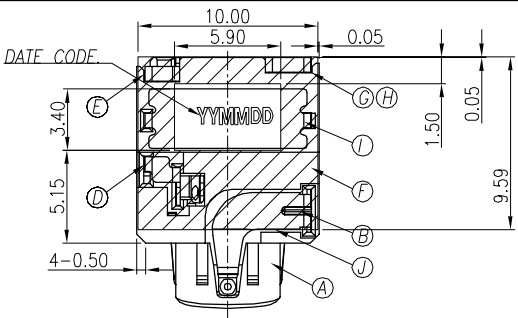
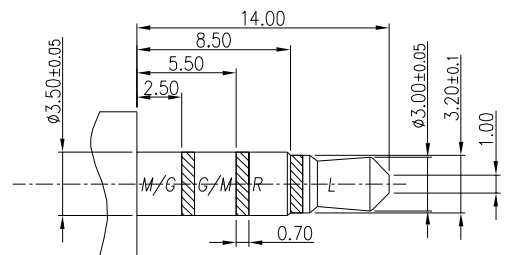
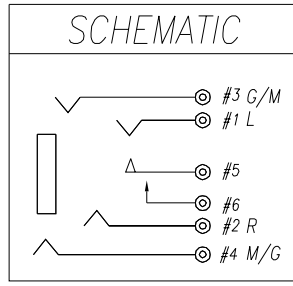
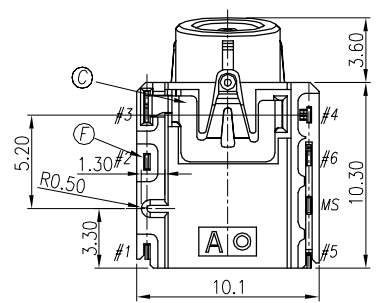
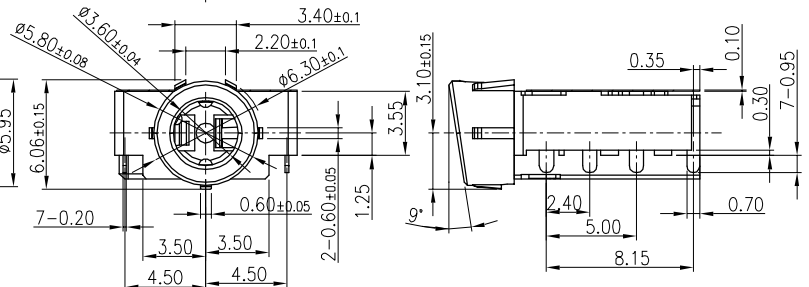
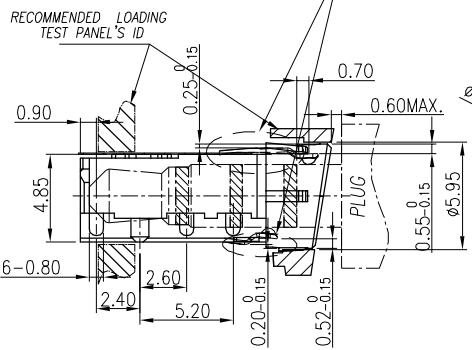


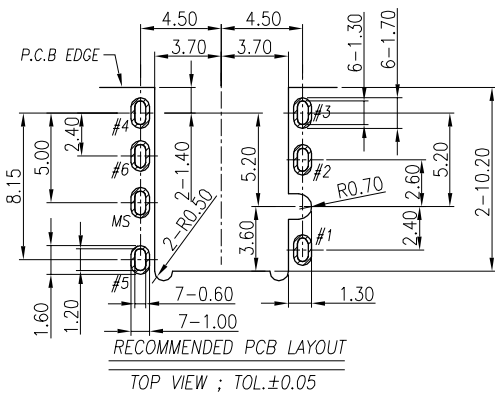
REV.	ECN NO OR DESCRIPTION	REVISED	DATE
A	PDR NO: S160519-6A	Bruce	2017.05.15



MATCH MECHANISM ID  
NEEDS TO AVOID  
INTERFERENCE WITH  
TERMINAL AFTER PLUG IN.



RECOMMENDED PLUG. TOL.±0.05  
Ø3.5 4-POLE STANDARD PLUG



RECOMMENDED PCB LAYOUT  
TOP VIEW ; TOL.±0.05

SPECIFICATIONS:

- ELECTRICAL CHARACTERISTICS:
  - RATING: 12V 1A
  - CONTACT RESISTANCE: 50mΩ MAX.(INITIAL)
  - DIELECTRIC WITHSTANDING VOLTAGE: 500V AC FOR ONE MINUTE.
  - INSULATION RESISTANCE: 100MΩ MIN. MEASURED BY 500 VDC.
- MECHANICAL CHARACTERISTICS:
  - INSERTION FORCE: INITIAL 0.3-3.0Kgf;
  - WITHDRAWAL FORCE: INITIAL 0.4-3.0Kgf;
- LIFE TEST: 5,000 CYCLES MIN.  
AFTER LIFE TEST, CONTACT RESISTANCE: 100mΩ MAX.
- PACKAGING : TAPE & REEL.
- AFTER HUMIDITY TEST, INSULATION RESISTANCE: 50MΩ MIN.
- TO CONFORM TO SINGATRON HAZARDOUS SUBSTANCE FREE SPEC.
- HALOGEN FREE PRODUCT IDENTIFICATION MARK ON PRODUCT:
- HALOGEN FREE PRODUCT IDENTIFICATION LOGO ON PACKAGING:
- FOR LEAD-FREE PROCESS.

J	Mylar	1	KAPTON+GLUE 0.1t	BROWN
I	SHELL	1	SUS304-1/2H 0.2t	Ni 60u"Min.
H	SEPARATOR	1	HIGH TEMP.THERMOPLASTIC UL 94V-0	BLACK
G	TRANSFER TERMINAL	1	PHOSPHOR BRONZE 0.2t	GOLD FLASH ON CONTACT AREA; GOLD FLASH ON SOLDER AREA; ALL OVER 50u" Ni.
F	MAKE TERMINAL	1	PHOSPHOR BRONZE 0.2t	GOLD FLASH ON CONTACT AREA; Matte Sn80u" ON SOLDER AREA; ALL OVER 50u" Ni.
E	TIP SPRING	1	PHOSPHOR BRONZE 0.2t	Au 5u" Min ON CONTACT AREA;
D	RING A	1	PHOSPHOR BRONZE 0.2t	Matte Sn80u" ON SOLDER AREA;
C	RING B	1	PHOSPHOR BRONZE 0.2t	ALL OVER 50u" Ni.
B	EARTH	1	PHOSPHOR BRONZE 0.2t	Au 5u" Min ON CONTACT AREA; GOLD FLASH ON SOLDER AREA; ALL OVER 50u" Ni.
A	BODY	1	HIGH TEMP.THERMOPLASTIC UL 94V-0	BLACK
NO	DESCRIPTION	QTY	MATERIAL	PLATING & COLOR

UNLESS OTHERWISE SPECIFIED TOLERANCES

Singatron Enterprise Co., Ltd.  
信音企業股份有限公司

DECIMALS:	ANGLES:	TITLE	<b>3.5Ø PHONE JACK</b>	
X :±0.5	X :±2°	DWN Bruce	<b>PART NO.2SJ3108-079111F</b>	
X.X :±0.3	X.X :±1°	CHKD Sky	SCALE 4:1	UNIT: mm
X.XX :±0.2		APVD Lussen	SIZE: A3	SHEET:1 OF 1
<b>REV: A</b>				
<b>CUSTOMER COPY</b>				