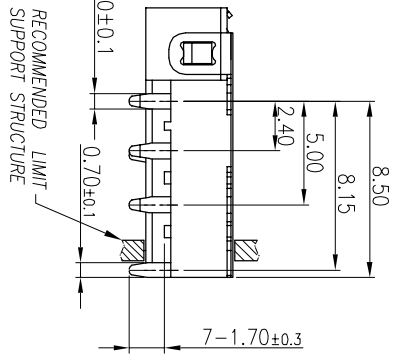
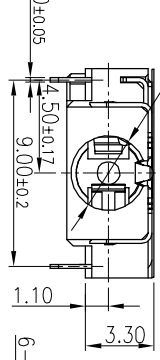
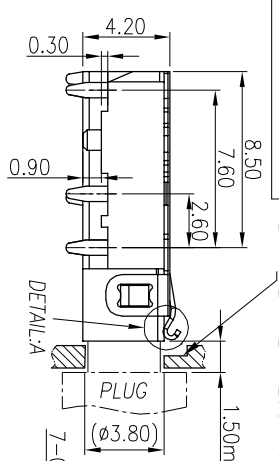
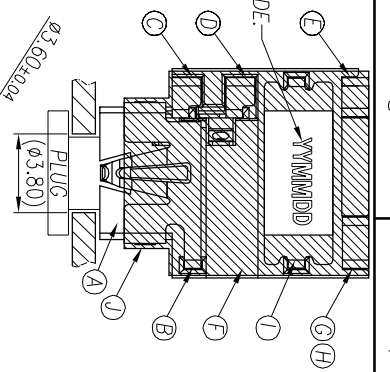
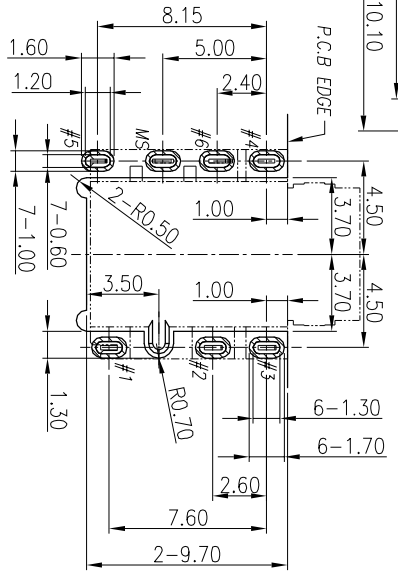
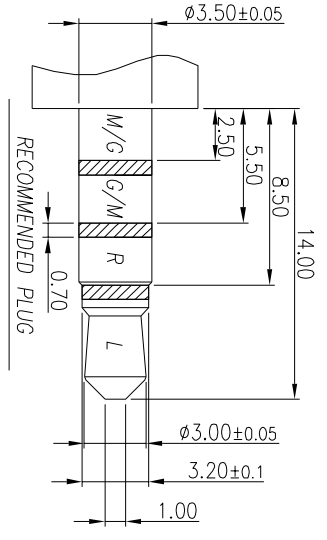
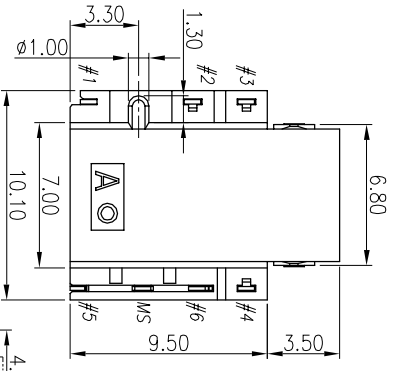
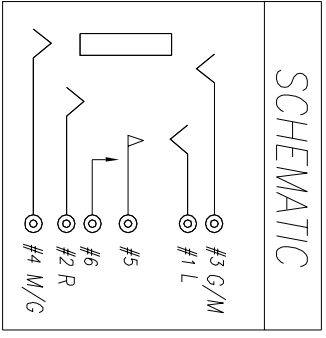


DETAIL:A
SCALE:2:1

MATCH MECHANISM ID NEEDS TO AVOID INTERFERENCE WITH TERMINAL WHEN PLUG IN.



- SPECIFICATIONS:
- ELECTRICAL CHARACTERISTICS:
 - 1-1. RATING: 12V 1A
 - 1-2. CONTACT RESISTANCE: 50mΩ MAX.(INITIAL)
 - 1-3. DIELECTRIC WITHSTANDING VOLTAGE: 500V AC FOR ONE MINUTE.
 - 1-4. INSULATION RESISTANCE: 100MΩ MIN. MEASURED BY 500 VDC.
 - MECHANICAL CHARACTERISTICS:
 - 2-1. INSERTION FORCE: INITIAL 0.3-3.0kgf;
 - 2-2. WITHDRAWAL FORCE: INITIAL 0.2-3.0kgf;
 3. LIFE TEST: 5,000 CYCLES MIN.
 - AFTER LIFE TEST, CONTACT RESISTANCE: 100mΩ MAX.
 4. PACKAGING : TAPE & REEL.
 5. AFTER HUMIDITY TEST, INSULATION RESISTANCE: 50MΩ MIN.
 6. TO CONFORM TO SINGATRON HAZARDOUS SUBSTANCE FREE SPEC.
 7. HALOGEN FREE PRODUCT IDENTIFICATION MARK ON PRODUCT:
 8. HALOGEN FREE PRODUCT IDENTIFICATION LOGO ON PACKAGING:
 9. FOR REFLOW SOLDERING LEAD-FREE PROCESS.
 10. PRINTED DATE CODE "YYMMDD" ON TOP OF CONNECTOR.



RECOMMENDED PCB LAYOUT
TOP VIEW : TOL.±0.05

REV.	ECN NO.	OR DESCRIPTION	REVISED	DATE
A	PDR NO:160222-3A		YUJREN	2017.12.15
B	ECN NO:S170958-R		JIE-FU	2018.04.18

J	MYLAR	1	KAPTON+SILICON GLUE,T=0.10	BROWN	
I	SHELL	1	SUS304-1/2H 0.2t	Ni 60u"Min.	
H	SEPARATOR	1	LCP+30%GF,U194-V0,無鹵	BLACK	
G	TRANSFER TERMINAL	1	C5210 0.2T	GOLD FLASH ON CONTACT AREA GOLD FLASH ON SOLDER AREA ALL OVER 50u. Ni.	
F	MAKE TERMINAL	1	C5210 0.2T	GOLD FLASH ON CONTACT AREA WHITE TIN 80u" ON SOLDER TAIL ALL OVER 50u. Ni.	
E	TIP SPRING	1	C5210 0.2T		
D	RING A	1	C5210 0.2T	As 30u" ON CONTACT AREA WHITE TIN 120u" ON SOLDER TAIL ALL OVER Ni 50 u" Min.	
C	RING B	1	C5210 0.2T		
B	EARTH	1	C5210 0.2T		
A	BODY	1	PA4T+30%GF,U194-V0, 無鹵	BLACK	
NO	DESCRIPTION	QTY	MATERIAL	PLATING & COLOR	
UNLESS OTHERWISE SPECIFIED TOLERANCES					
DECIMALS: ANGLES:					
X	±0.5	X	±2°		
X.X	±0.3	X.X	±1°		
X.XX	±0.2				
TITLE: 3.5Ø PHONE JACK					
DWN	JIE-FU	PART NO.	2SJ3108-080211F		
CHKD	BRUCE	SCALE	4:1	UNIT:	mm
APVD	LAO	SIZE:	A3	SHEET:	1 OF 1
REV: B					
CUSTOMER COPY					

Singatron Enterprise Co., Ltd.
信音企業股份有限公司