

REV.	ECN NO OR DESCRIPTION	REVISED	DATE
A	PDR NO: T161024-1A	Qing	2018.01.16

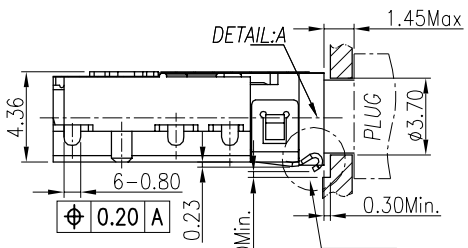
DETAIL:A  
SCALE:2:1

PRODUCT APPLICATION:  
THE SPRING WORKING  
POSITION WHEN PLUG-IN

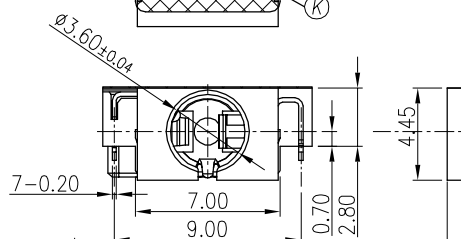
DATE CODE: YYMMDD

SPECIFICATIONS:

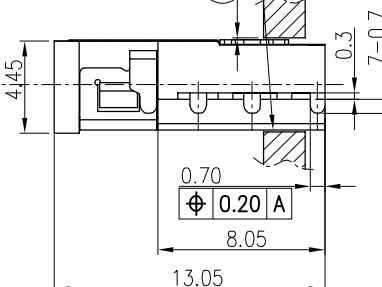
- INSULATION RESISTANCE BETWEEN ANY ADJACENT OPEN CIRCUIT TERMINAL SHELL NOT BE LESS THAN 100MΩ MEASURED BY 500V DC .
- CONTACT RESISTANCE: 50mΩ MAX(INITIAL).
- INSULATION VOLTAGE WITHSTAND:500V AC FOR ONE MINUTE.
- LIFE TEST: 5,000 CYCLES MIN.
- INSERTION FORCE: 0.3-3.0Kgf ,
- WITHDRAWAL FORCE: 0.3-3.0 Kgf,
- AFTER TEST, CONTACT RESISTANCE: 100mΩ MAX.
- AFTER HUMIDITY TEST, INSULATION RESISTANCE: 50MΩ MIN.
- MARKING: MARK "S" ON TOP OF CONNECTOR.
- PACKING : TAPE & REEL.
- TO CONFORM TO SINGATRON HAZARDOUS SUBSTANCE FREE SPEC.
- HALOGEN FREE PRODUCT IDENTIFICATION MARK ON PRODUCT:
- HALOGEN FREE PRODUCT IDENTIFICATION LOGO ON PACKAGING:



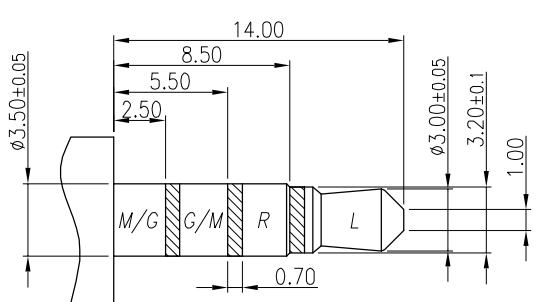
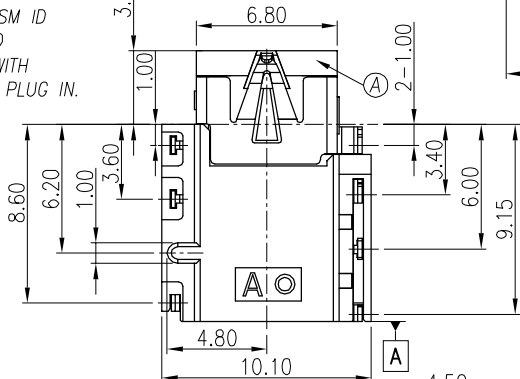
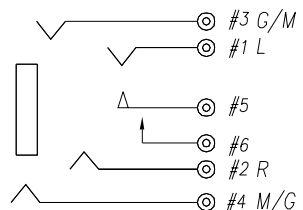
MATCH MECHANISM ID NEEDS TO AVOID INTERFERENCE WITH TERMINAL AFTER PLUG IN.



RECOMMENDED LOADING TEST PANEL'S ID

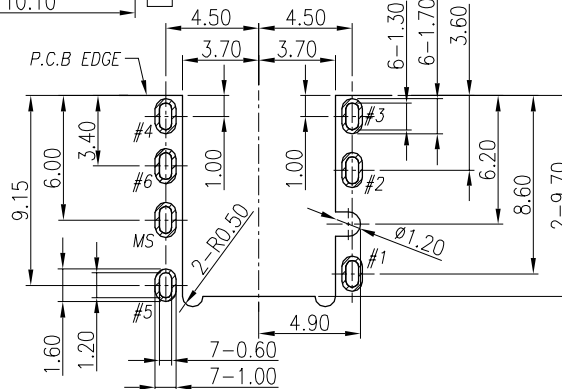


SCHEMATIC



RECOMMENDED PLUG (TOL.±0.05)

Ø3.5 4-POLE STANDARD PLUG



RECOMMENDED PCB LAYOUT

TOP VIEW ; TOL.±0.05

NO	DESCRIPTION	QTY	MATERIAL	PLATING & COLOR
K	MALAR	1	KAPTON T=0.06	YELLOW
J	SHELL	1	SUS304-1/2H 0.2t	Ni 60u"Min.
H	SEPARATOR	1	HIGH TEMP.THERMOPLASTIC UL 94V-0	BLACK
G	TRANSFER TERMINAL	1	PHOSPHOR BRONZE 0.2t	GOLD FLASH ON CONTACT AREA; GOLD FLASH ON SOLDER AREA; ALL OVER 50u" Ni.
F	MAKE TERMINAL	1	PHOSPHOR BRONZE 0.2t	GOLD FLASH ON CONTACT AREA; Matte Sn80u" ON SOLDER AREA; ALL OVER 50u" Ni.
E	TIP SPRING	1	PHOSPHOR BRONZE 0.2t	GOLD FLASH ON CONTACT AREA; GOLD FLASH ON SOLDER AREA; ALL OVER 50u" Ni.
D	RING A	1	PHOSPHOR BRONZE 0.2t	GOLD FLASH ON CONTACT AREA;
C	RING B	1	PHOSPHOR BRONZE 0.2t	GOLD FLASH ON SOLDER AREA;
B	EARTH	1	PHOSPHOR BRONZE 0.2t	ALL OVER 50u" Ni.
A	BODY	1	PA4T+30%GF(TX1) UL 94V-0	BLACK

UNLESS OTHERWISE SPECIFIED TOLERANCES

Singatron Enterprise Co., Ltd.  
信音企業股份有限公司

DECIMALS:	ANGLES:	TITLE	3.5ø PHONE JACK		
X :±0.5	X :±2°	DWN QING	PART NO. 2SJ3108-088111F		
X.X :±0.3	X.X :±1°	CHKD BRUCE	SCALE 4:1	UNIT: mm	⊕
X.XX :±0.2		APVD LUSSEN	SIZE: A3	SHEET:1 OF 1	REV: A

CUSTOMER COPY