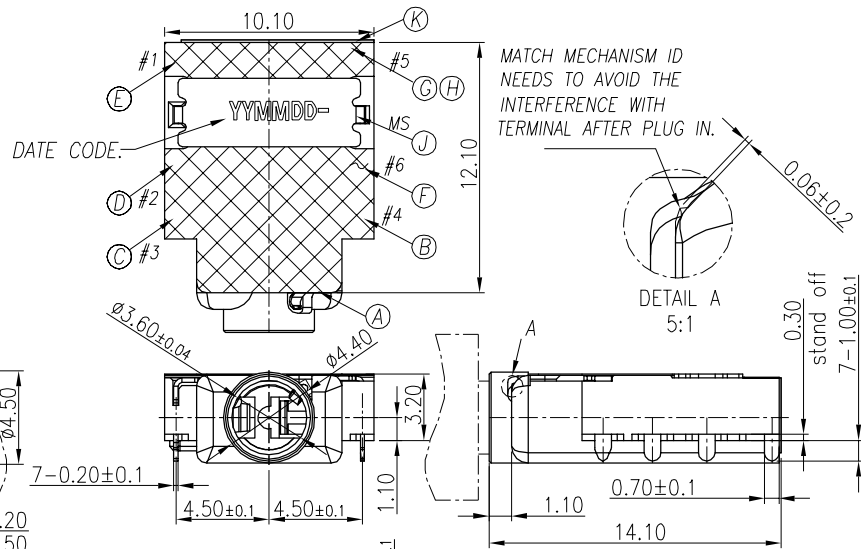
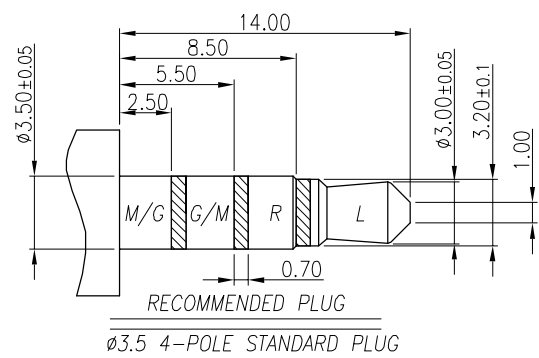
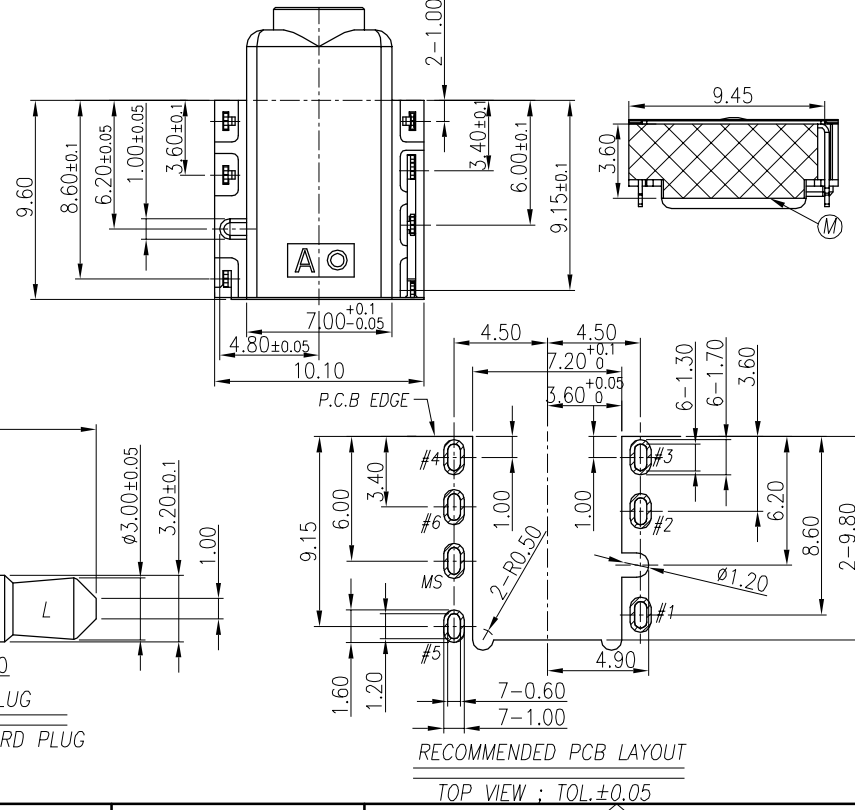
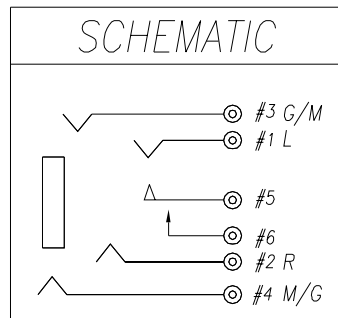
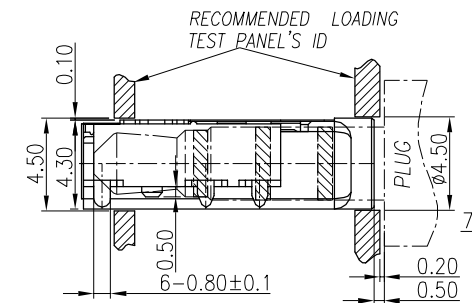


REV.	ECN NO OR DESCRIPTION	REVISED	DATE
A	PDR NO: T161027-4A	Yulin	2017.06.17
B	ECN NO: S180619-E	Xinzhi	2018.07.23



- SPECIFICATIONS:
- ELECTRICAL CHARACTERISTICS:
 - 1-1. RATING: 12V 1A
 - 1-2. CONTACT RESISTANCE: 50mΩ MAX.(INITIAL)
 - 1-3. DIELECTRIC WITHSTANDING VOLTAGE: 500V AC FOR ONE MINUTE.
 - 1-4. INSULATION RESISTANCE: 100MΩ MIN. MEASURED BY 500 VDC.
 - MECHANICAL CHARACTERISTICS:
 - 2-1. INSERTION FORCE: 0.5~2.2Kgf AFTER THE FIFTH TIME; 0.4~2.2Kgf AFTER LIFE TEST;
 - 2-2. WITHDRAWAL FORCE: 0.5~2.0Kgf AFTER THE FIFTH TIME; 0.4~2.0Kgf AFTER LIFE TEST;
 - LIFE TEST: 5,000 CYCLES MIN.
AFTER LIFE TEST, CONTACT RESISTANCE: 100mΩ MAX.
 - PACKAGING : TAPE & REEL.
 - AFTER HUMIDITY TEST, INSULATION RESISTANCE: 50MΩ MIN.
 6. OTHER GENERAL SPEC TO REFER "AUDIO JACK FOR ASUS SPEC"
 7. TO CONFORM TO SINGATRON HAZARDOUS SUBSTANCE FREE SPEC.
 8. HALOGEN FREE PRODUCT IDENTIFICATION MARK ON PRODUCT:
 9. HALOGEN FREE PRODUCT IDENTIFICATION LOGO ON PACKAGING:
 10. FOR LEAD-FREE PROCESS.
 11. PRINTED DATE CODE "YYMMDD-" ON TOP OF CONNECTOR.
 12. OVERLOADING FORCE < 4KGF



M	MYLAR-2	1	KAPTON+GLUE 0.10T	BROWN
K	MYLAR-1	1	KAPTON+GLUE 0.06T	YELLOW
J	SHELL	1	SUS304-1/2H 0.2t	GOLD FLASH ALL OVER 50u" Ni.
H	SEPARATOR	1	LCP E130i UL 94V-0	BLACK
G	TRANSFER TERMINAL	1	C5210-EH 0.2t	GOLD FLASH ON CONTACT AREA; GOLD FLASH ON SOLDER AREA; ALL OVER 50u" Ni.
F	MAKE TERMINAL	1	C5210-EH 0.2t	
E	TIP SPRING	1	C5210-EH 0.2t	
D	RING A	1	C5210-EH 0.2t	
C	RING B	1	C5210-EH 0.2t	
B	EARTH	1	C5210-EH 0.2t	
A	BODY	1	PA4T+30%GF(TX1) UL 94V-0	BLACK
NO	DESCRIPTION	QTY	MATERIAL	PLATING & COLOR
UNLESS OTHERWISE SPECIFIED TOLERANCES			Singatron Enterprise Co., Ltd. 信音企業股份有限公司	
DECIMALS:		ANGLES:	TITLE	
X	:±0.5	X	:±2°	3.5ø PHONE JACK
X.X	:±0.3	X.X	:±1°	DWN Xinzhi PART NO.2SJ3108-089111F
X.XX	:±0.2			CHKD Bruce SCALE 4:1 UNIT: mm
				APVD Liao SIZE: A3 SHEET: 1 OF 1 REV: B
CUSTOMER COPY				