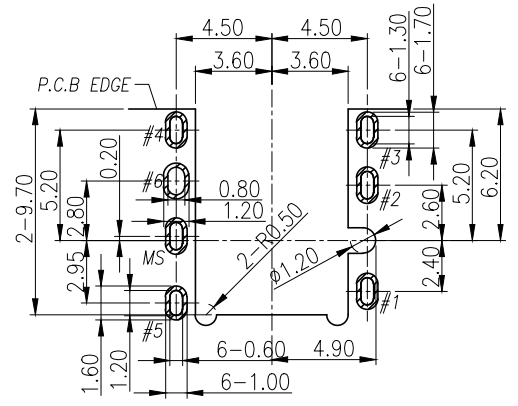
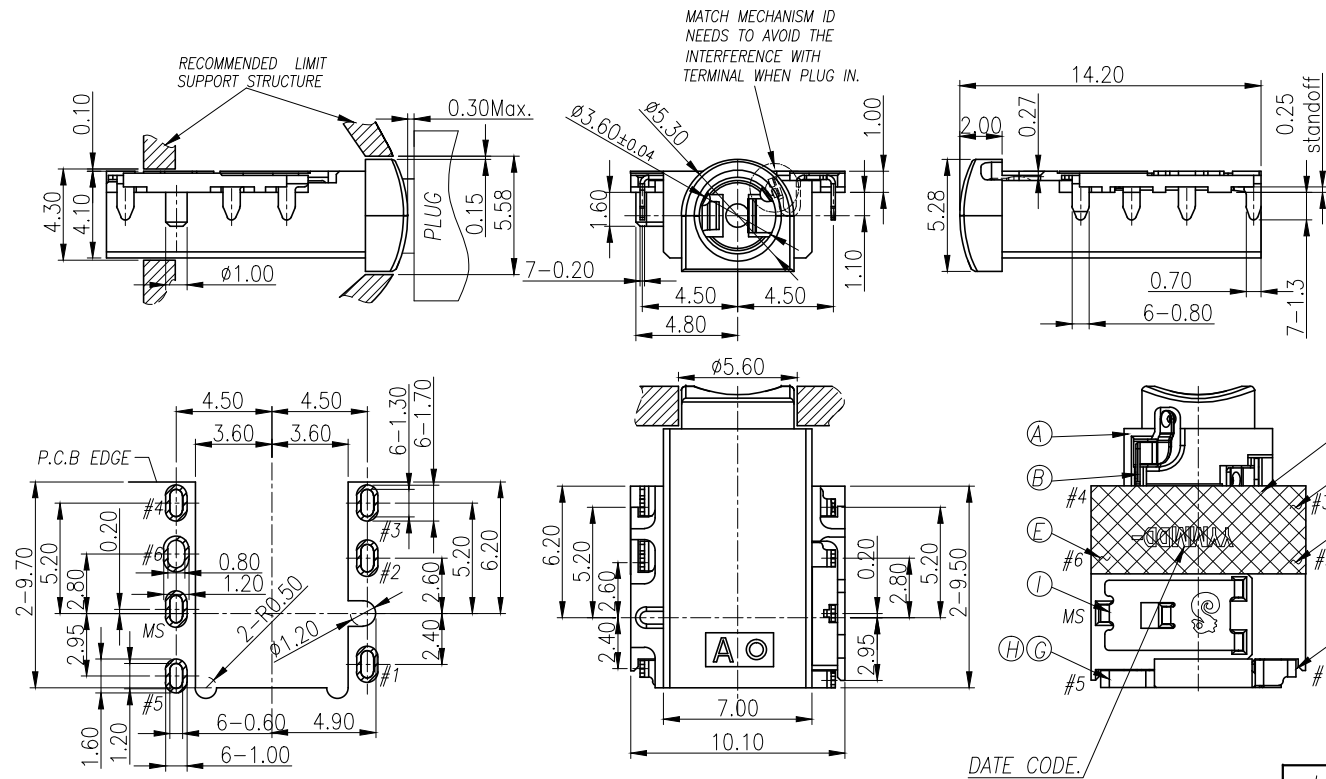


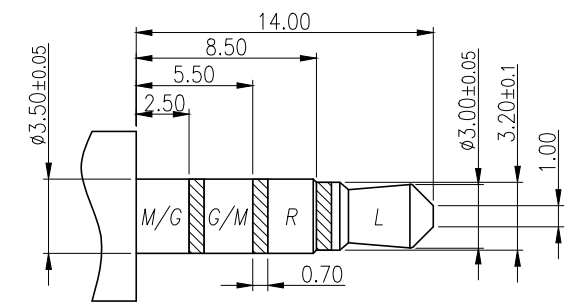
REV.	ECN NO OR DESCRIPTION	REVISED	DATE
A	PDR NO:T170420-1A	Steven	2018.04.04

SPECIFICATIONS:

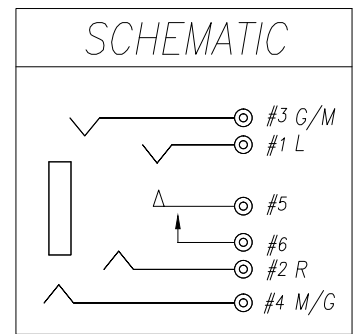
- ELECTRICAL CHARACTERISTICS:
  - RATING: 12V 1A
  - CONTACT RESISTANCE: 50mΩ MAX.(INITIAL)
  - DIELECTRIC WITHSTANDING VOLTAGE: 500V AC FOR ONE MINUTE.
  - INSULATION RESISTANCE: 100MΩ MIN. MEASURED BY 500 VDC.
- MECHANICAL CHARACTERISTICS:
  - INSERTION FORCE: INITIAL 0.3-3.0Kgf;
  - WITHDRAWAL FORCE: INITIAL 0.3-3.0Kgf;
- LIFE TEST: 5,000 CYCLES MIN.  
AFTER LIFE TEST, CONTACT RESISTANCE: 100mΩ MAX.
- PACKAGING : TAPE & REEL.
- AFTER HUMIDITY TEST, INSULATION RESISTANCE: 50MΩ MIN.
- TO CONFORM TO SINGATRON HAZARDOUS SUBSTANCE FREE SPEC.
- HALOGEN FREE PRODUCT IDENTIFICATION MARK ON PRODUCT:
- HALOGEN FREE PRODUCT IDENTIFICATION LOGO ON PACKAGING:
- FOR REFLOW SOLDERING LEAD-FREE PROCESS.
- PRINTED DATE CODE "YYMMDD-" ON TOP OF CONNECTOR.



RECOMMENDED PCB LAYOUT  
TOP VIEW ; TOL.±0.05



RECOMMENDED PLUG  
Ø3.5 4-POLE PLUG(TOL.±0.05)



J	MYLAR	1	KAPTON+GLUE 0.10T	BROWN
I	SHELL	1	SUS 0.2t	Ni 60u"Min.
H	SEPARATOR	1	HIGH TEMP.THERMOPLASTIC UL 94V-0	BLACK
G	TRANSFER TERMINAL	1	COPPER ALLOY, 0.2t	GOLD FLASH ON CONTACT AREA; GOLD FLASH ON SOLDER AREA; ALL OVER 50u" Ni.
F	TIP SPRING	1	SUS 0.2t	
E	MAKE TERMINAL	1	COPPER ALLOY, 0.2t	
D	RING A	1	COPPER ALLOY, 0.2t	GOLD FLASH ON CONTACT AREA;
C	RING B	1	COPPER ALLOY, 0.2t	MATTE Sn120u" ON SOLDER AREA ALL OVER 50u" Ni.
B	EARTH	1	COPPER ALLOY, 0.2t	
A	BODY	1	HIGH TEMP.THERMOPLASTIC UL 94V-0	BLACK
NO	DESCRIPTION	QTY	MATERIAL	PLATING & COLOR

UNLESS OTHERWISE SPECIFIED TOLERANCES

Singatron Enterprise Co., Ltd.  
信音企業股份有限公司

DECIMALS:	ANGLES:	TITLE	3.5Ø PHONE JACK		
X :±0.5	X :±2°	DWN	Steven	PART NO. 2SJ3108-099111F	
X.X :±0.3	X.X :±1°	CHKD	Bruce	SCALE 4:1	UNIT: mm
X.XX :±0.2		APVD	Liao	SIZE: A3	SHEET: 1 OF 1
CUSTOMER COPY					