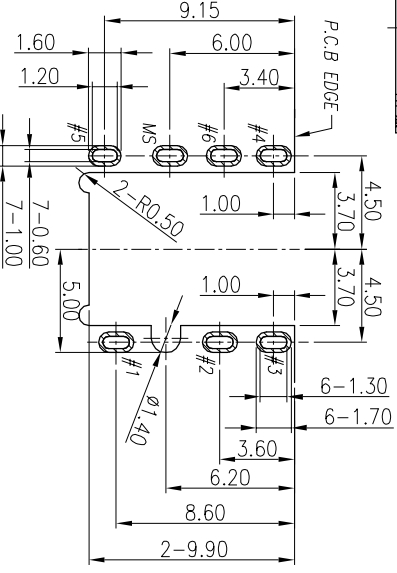
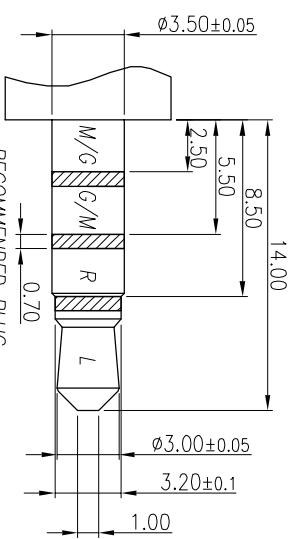
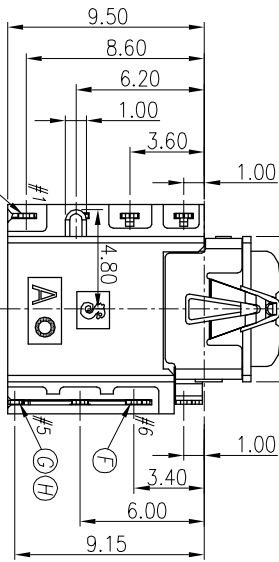
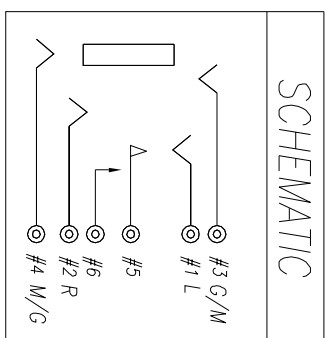
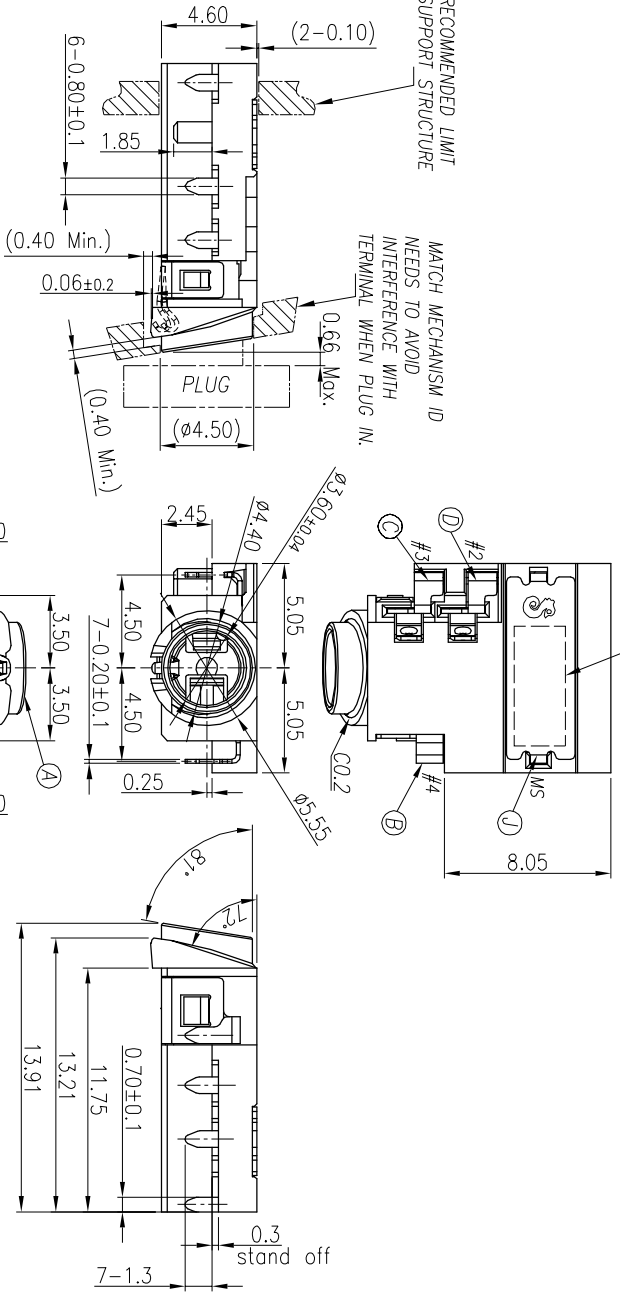


DATE CODE MARK ZONE

RECOMMENDED LIMIT SUPPORT STRUCTURE

MATCH MECHANISM ID NEEDS TO AVOID INTERFERENCE WITH TERMINAL WHEN PLUG IN.



RECOMMENDED PLUG Ø3.5 4-POLE STANDARD PLUG

RECOMMENDED PCB LAYOUT TOP VIEW : TOL.±0.05

SPECIFICATIONS:

- ELECTRICAL CHARACTERISTICS:
 - RATING: 12V 1A
 - CONTACT RESISTANCE: 50mΩ MAX.(INITIAL)
 - DIELECTRIC WITHSTANDING VOLTAGE: 500V AC FOR ONE MINUTE.
 - INSULATION RESISTANCE: 100MΩ MIN. MEASURED BY 500 VDC.
- MECHANICAL CHARACTERISTICS:
 - INSERTION FORCE: INITIAL 0.3-3.0kgf; 2-2. WITHDRAWAL FORCE: INITIAL 0.4-3.0kgf;
 - LIFE TEST: 5,000 CYCLES MIN. AFTER LIFE TEST, CONTACT RESISTANCE: 100mΩ MAX.
 - PACKAGING : TAPE & REEL.
 - AFTER HUMIDITY TEST, INSULATION RESISTANCE: 50MΩ MIN.
 - TO CONFORM TO SINGATRON HAZARDOUS SUBSTANCE FREE SPEC.
 - HALOGEN FREE PRODUCT IDENTIFICATION MARK ON PRODUCT:
 - HALOGEN FREE PRODUCT IDENTIFICATION LOGO ON PACKAGING:
 - FOR REFLOW SOLDERING LEAD-FREE PROCESS.
 - PRINTED DATE CODE "MMDD" ON TOP OF CONNECTOR.

J	SHELL	1	SUS304, 0.2t	Ni 60u Min.
H	SEPARATOR	1	LCP+30%GF UL 94V-0	BLACK
G	TRANSFER TERMINAL	1	C5210-EH 0.2t	GOLD FLASH ON CONTACT AREA; GOLD FLASH ON SOLDER AREA; ALL OVER 500° IN.
F	MAKE TERMINAL	1	C5210-EH 0.2t	
E	TIP SPRING	1	SUS304, 0.2t	
B	EARTH	1	C5210-EH 0.2t	
C	RING A	1	C5210-EH 0.2t	GOLD FLASH ON CONTACT AREA; WHITE Sn80° ON SOLDER AREA; ALL OVER 500° IN.
D	RING B	1	C5210-EH 0.2t	
A	BODY	1	PA4T+30%GF UL 94V-0	BLACK
NO	DESCRIPTION	QTY	MATERIAL	PLATING & COLOR
UNLESS OTHERWISE SPECIFIED TOLERANCES				
Singatron Enterprise Co., Ltd. 信晉企業股份有限公司				
DECIMALS: ANGLES: X :±0.5 X :±2° X.X :±0.3 X.X :±1° X.XX :±0.2				
TITLE: 3.5Ø AUDIO JACK				
DWN: Julio PART NO. 2S3J108-110111F				
CHKD: Bruce SCALE 4:1 UNIT: mm				
APVD: Liao SIZE: A3 SHEET: 1 OF 1 REV: A				
CUSTOMER COPY				

REV.	ECN NO.	OR DESCRIPTION	REVISED	DATE
A	PDR NO: T190131-6A	Julio		2019.11.19