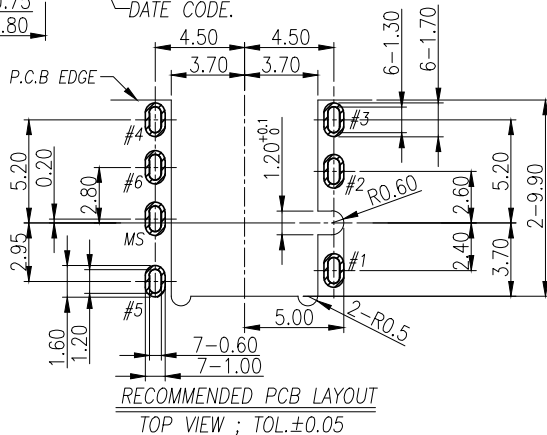
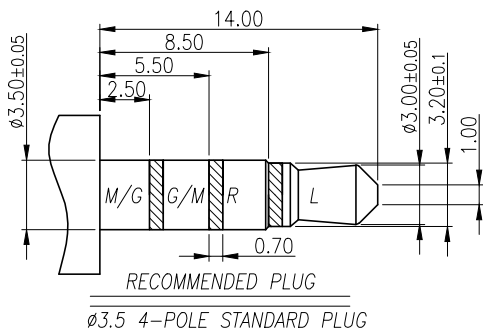
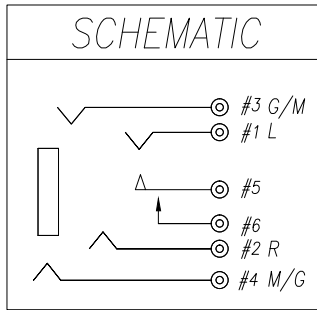
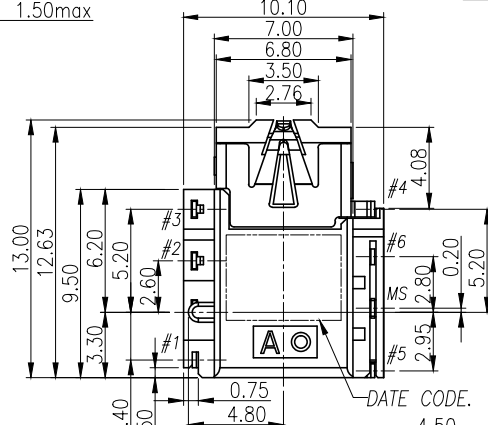
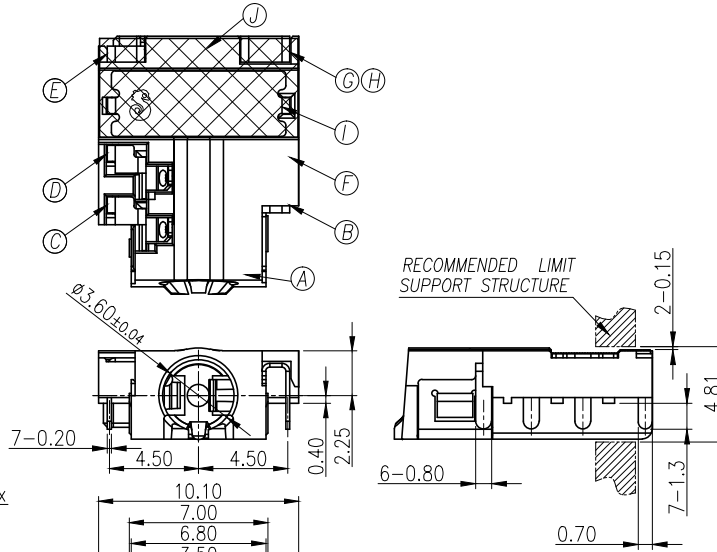
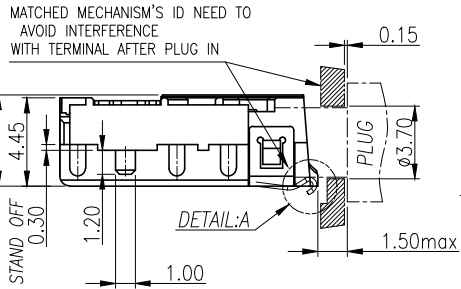
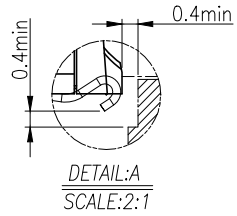


REV.	ECN NO OR DESCRIPTION	REVISED	DATE
A	PDR NO: T200306-1A	Carol	2020.06.03



SPECIFICATIONS:

1. ELECTRICAL CHARACTERISTICS:

- 1-1. RATING: 12V 1A
- 1-2. CONTACT RESISTANCE: 50mΩ MAX.(INITIAL)
- 1-3. DIELECTRIC WITHSTANDING VOLTAGE: 500V AC FOR ONE MINUTE.
- 1-4. INSULATION RESISTANCE: 100MΩ MIN. MEASURED BY 500 VDC.

2. MECHANICAL CHARACTERISTICS:

- 2-1. INSERTION FORCE: INITIAL 0.3-3.0Kgf;
- 2-2. WITHDRAWAL FORCE: INITIAL 0.3-3.0Kgf;
- 3. LIFE TEST: 5,000 CYCLES MIN.

- AFTER LIFE TEST, CONTACT RESISTANCE: 100mΩ MAX.
- 4. PACKAGING : TAPE & REEL.
- 5. AFTER HUMIDITY TEST, INSULATION RESISTANCE: 50MΩ MIN.
- 6. TO CONFORM TO SINGATRON HAZARDOUS SUBSTANCE FREE SPEC.
- 7. HALOGEN FREE PRODUCT IDENTIFICATION MARK ON PRODUCT:
- 8. HALOGEN FREE PRODUCT IDENTIFICATION LOGO ON PACKAGING:
- 9. FOR REFLOW SOLDERING LEAD-FREE PROCESS.
- 10. PRINTED DATE CODE" YMD=" ON TOP OF CONNECTOR.

J	MYLAR	1	0.06T	YELLOW
I	SHELL	1	STAINLESS STEEL 0.2T	Ni 60u"Min.
H	SEPARATOR	1	HIGH TEMP.THERMOPLASTIC UL 94V-0	BLACK
G	TRANSFER TERMINAL	1	PHOSPHOR BRONZE 0.2t	GOLD FLASH ON CONTACT AREA; GOLD FLASH ON SOLDER AREA; ALL OVER 50u" Ni.
F	MAKE TERMINAL	1	PHOSPHOR BRONZE 0.2t	GOLD FLASH ON CONTACT AREA; MATTE TIN 120u" ON SOLDER TAIL; ALL OVER 50u" Ni.
E	TIP SPRING	1	PHOSPHOR BRONZE 0.2t	GOLD FLASH ON CONTACT AREA; MATTE TIN 120u" ON SOLDER TAIL; ALL OVER Ni 50 u" Min.
D	RING A	1	PHOSPHOR BRONZE 0.2t	GOLD FLASH ON CONTACT AREA; MATTE TIN 120u" ON SOLDER TAIL; ALL OVER 50u" Ni.
C	RING B	1	PHOSPHOR BRONZE 0.2t	
B	EARTH	1	PHOSPHOR BRONZE 0.2t	
A	BODY	1	HIGH TEMP.THERMOPLASTIC UL 94V-0	BLACK
NO	DESCRIPTION	QTY	MATERIAL	PLATING & COLOR

UNLESS OTHERWISE SPECIFIED TOLERANCES

Singatron Enterprise Co., Ltd.
信音企業股份有限公司

DECIMALS: ANGLES:
X :±0.5 X :±2"
X.X :±0.3 X.X :±1"
X.XX :±0.2

TITLE	3.5Ø AUDIO JACK		
DWN	Carol	PART NO.2SJ3108-116111F	
CHKD	Bruce	SCALE 4:1	UNIT: mm
APVD	Liao	SIZE: A3	SHEET:1 OF 1
REV:A			
CUSTOMER COPY			