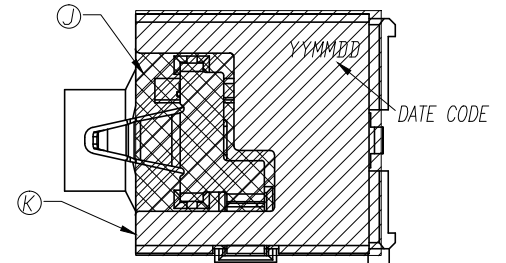
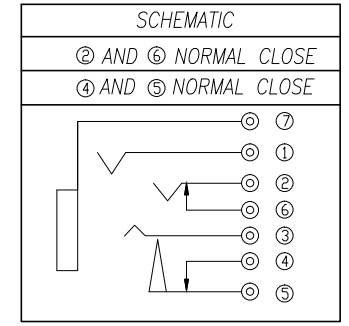
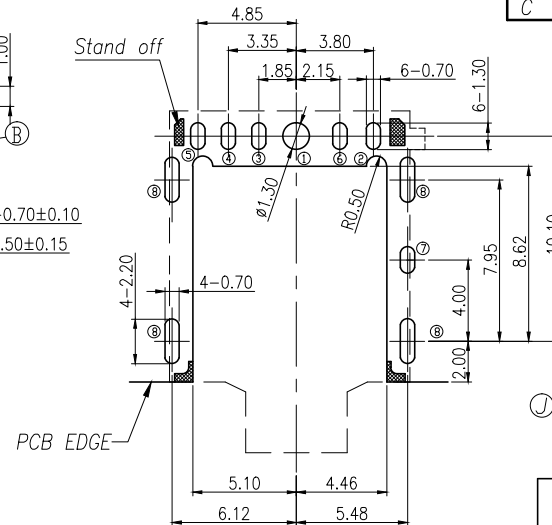
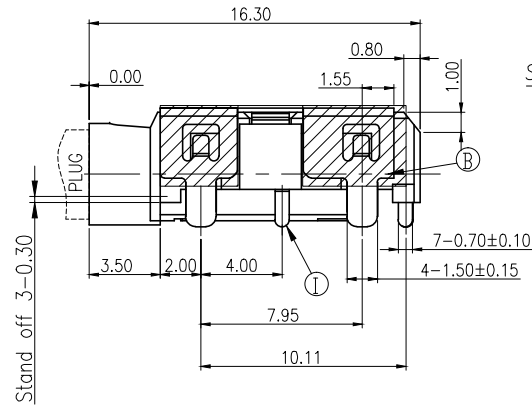
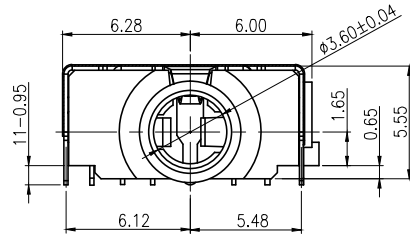
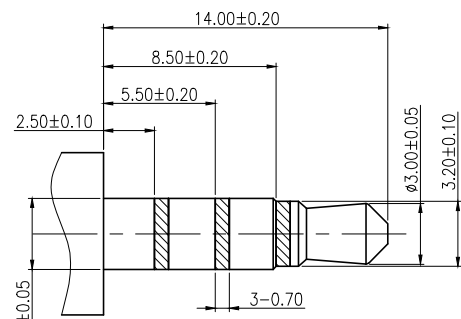
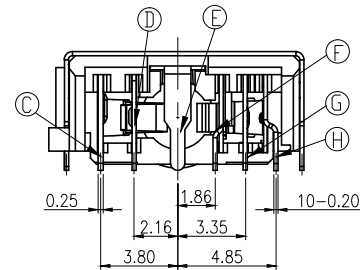
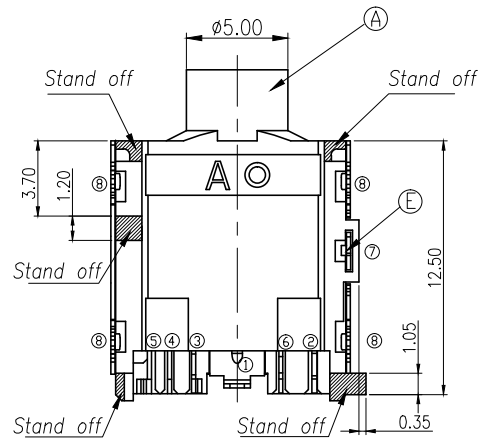


REV.	ECN NO OR DESCRIPTION	REVISED	DATE
A	PDR NO. T120308-2A	Bruce	2012.08.10
B	ECN NO. S120929	Angus	2012.12.10
C	ECN NO. S160626-C	JIE-FU	2016.08.19



RECOMMENDED PCB LAYOUT
TOP VIEW ; TOL.±0.05



RECOMMENDED PLUG
Ø3.5 4-POLE

- SPECIFICATIONS:
- INSULATION RESISTANCE BETWEEN ANY ADJACENT OPEN CIRCUIT TERMINAL SHELL NOT BE LESS THAN 100MΩ MEASURED BY 500 VDC MEGGER.
 - INSULATION VOLTAGE WITHSTAND:
500V AC FOR ONE MINUTE.
 - CONTACT RESISTANCE: 30mΩ MAX.
 - UNLESS OTHERWISE SPECIFIED, TEST IS TO BE MADE AT 5-35°C IN TEMPERATURE AND 45-85% IN HUMIDITY. BUT,IF ANY VAGUE DATA IS OCCURED ON TEST RESULT, ANOTHER TEST SHALL BE MADE AT 20°C±2°C IN TEMP., 60-70% IN HUMIDITY.
 - LIFE TEST: 5,000 CYCLES MIN. (NON-LOAD)
 - INSERTION FORCE: 0.4 - 3Kgf.
 - WITHDRAWAL FORCE: 0.3 - 3.0Kgf.
 - AFTER LIFE TEST, CONTACT RESISTANCE: 50mΩ MAX.
 - AFTER HUMIDITY TEST, INSULATION RESISTANCE: 50MΩ MIN.
 - MARKING: MARK "S" ON TOP OF CONNECTOR.
 - PACKAGING : TAPE & REEL.
 - TO CONFORM TO SINGATRON HAZARDOUS SUBSTANCE FREE SPEC
 - HALOGEN FREE PRODUCT IDENTIFICATION MARK ON PRODUCT: Ⓞ
 - HALOGEN FREE PRODUCT IDENTIFICATION LOGO ON THE PACKAGING: Ⓞ
 - FOR LEAD-FREE PROCESS.

K	MYLAR	1	L:19.8*W12*T0.06	YELLOW
J	MYLAR	1	L:10.5*W10.5*T0.06	YELLOW
I	EARTH-B	1	PHOSPHOR BRONZE 0.2t	GOLD FLASH ON CONTACT AREA; Sn 120u" ON SOLDER TAIL; ALL OVER Ni 50u"Min.
H	B-TERMINAL	1	PHOSPHOR BRONZE 0.2t	GOLD FLASH ON CONTACT AREA; GOLD FLASH ON SOLDER TAIL; ALL OVER Ni 50u"Min.
G	T-TERMINAL	1	PHOSPHOR BRONZE 0.2t	
F	RING SPRING	1	PHOSPHOR BRONZE 0.2t	GOLD FLASH ON CONTACT AREA; GOLD FLASH ON SOLDER TAIL; ALL OVER Ni 50u"Min.
E	EARTH-A	1	PHOSPHOR BRONZE 0.2t	
D	SHUNT TERMINAL	1	ALLOY COPPER 0.2t	Ni 60u"Min.
C	TIP SPRING	1	PHOSPHOR BRONZE 0.25t	
B	SHELL	1	PHOSPHOR BRONZE 0.25t	UL 94V-0 & BLACK
A	BODY	1	HIGH TEMP.THERMOPLASTIC	
NO	DESCRIPTION	QTY	MATERIAL	PLATING & COLOR

UNLESS OTHERWISE SPECIFIED TOLERANCES		Singatron Enterprise Co., Ltd. 信音企業股份有限公司			
DECIMALS:	ANGLES:	TITLE	Ø3.5 SINKING TYPE AUDIO JACK		
X :±0.5	X :±2°	DWN	JIE-FU	PART NO. 2SJ3112-000111F	
X.X :±0.3	X.X :±1°	CHKD	CERRY	SCALE:4:1	UNIT: mm
X.XX :±0.2		APVD	LUSSEN	SIZE: A3	SHEET:1 / 1
REV:C					
CUSTOMER COPY					