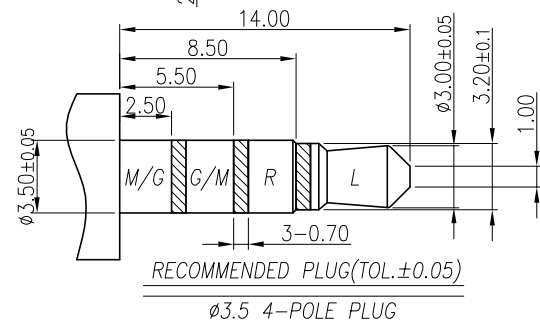
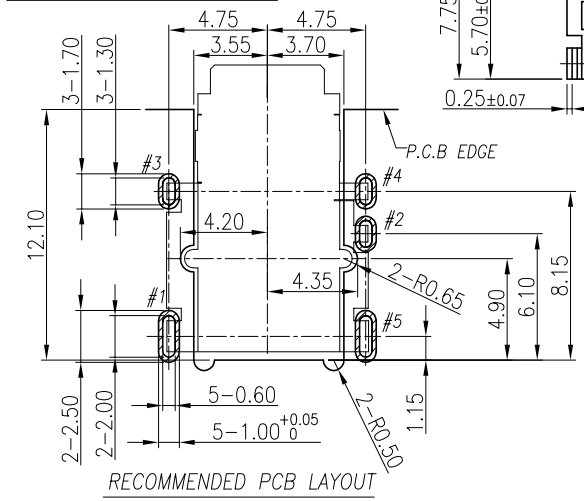
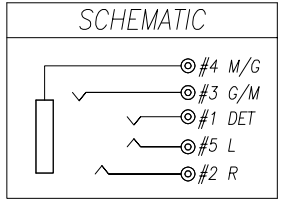
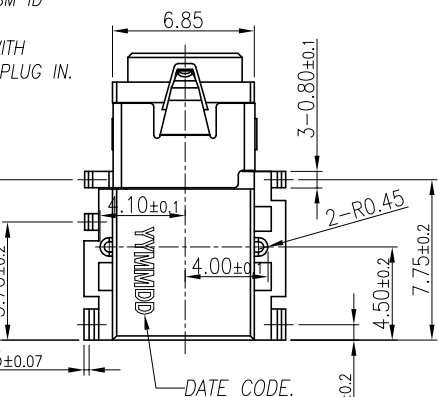
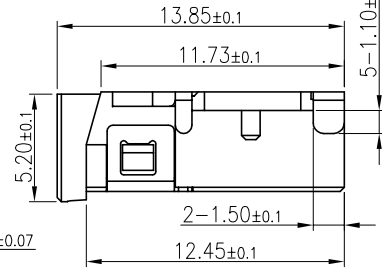
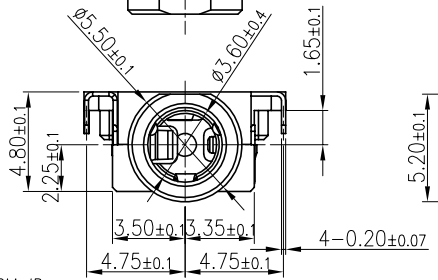
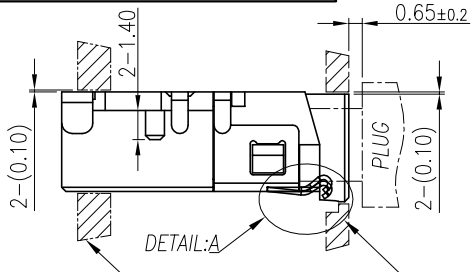
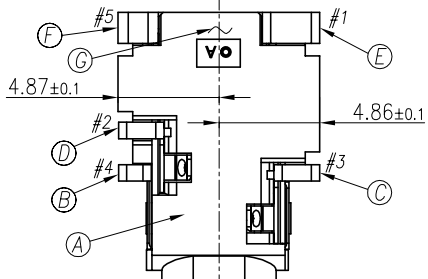
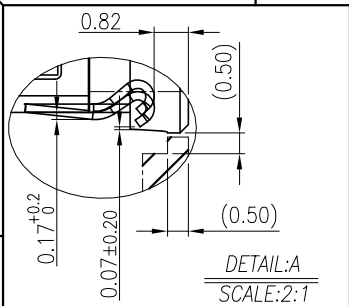


REV.	ECN NO OR DESCRIPTION	REVISED	DATE
A	PDR NO: S180403-5A	Julia	2018.12.20



SPECIFICATIONS:

- ELECTRICAL CHARACTERISTICS:
  - RATING: 12V 1A
  - CONTACT RESISTANCE: 50mΩ MAX.(INITIAL)
  - DIELECTRIC WITHSTANDING VOLTAGE: 500V AC FOR ONE MINUTE.
  - INSULATION RESISTANCE: 100MΩ MIN. MEASURED BY 500 VDC.
- MECHANICAL CHARACTERISTICS:
  - INSERTION FORCE: INITIAL 0.7-2.0Kgf (AFTER THE FIFTH TIME);
  - WITHDRAWAL FORCE: INITIAL 0.7-2.5Kgf(TEST PLUG  $\phi 2.98 \pm 0.02$ mm);
- LIFE TEST: 10,000 CYCLES MIN.  
AFTER LIFE TEST, CONTACT RESISTANCE: 100mΩ MAX.
- PACKAGING : TAPE & REEL.
- AFTER HUMIDITY TEST, INSULATION RESISTANCE: 50MΩ MIN.
- TO CONFORM TO SINGATRON HAZARDOUS SUBSTANCE FREE SPEC.
- HALOGEN FREE PRODUCT IDENTIFICATION MARK ON PRODUCT:
- HALOGEN FREE PRODUCT IDENTIFICATION LOGO ON PACKAGING:
- FOR LEAD-FREE PROCESS.
- PRINTED DATE CODE "YYMMDD-" ON TOP OF CONNECTOR.
- COMPLY WITH THE THRESHOLD OF SUBSTANCES WHICH ARE SPECIFIED IN ((OQA-2049).

G	DUMMY	1	SUS304-1/2H 0.25t	Ni 50u".
F	L	1	SUS304-1/2H 0.25t	Au 4u" ON CONTACT AREA; GOLD FLASH ON SOLDER AREA; ALL OVER 50u" Ni.
E	DET	1	PHOSPHOR BRONZE 0.2t	
D	RING	1	PHOSPHOR BRONZE 0.2t	
C	GROUND	1	PHOSPHOR BRONZE 0.2t	
B	MIC	1	PHOSPHOR BRONZE 0.2t	
A	BODY	1	HIGH TEMP.THERMOPLASTIC	BLACK
NO	DESCRIPTION	QTY	MATERIAL	PLATING & COLOR
UNLESS OTHERWISE SPECIFIED TOLERANCES			Singatron Enterprise Co., Ltd. 信音企業股份有限公司	
DECIMALS:		ANGLES:		TITLE
X :±0.1		X :±2°		3.5φ PHONE JACK
X.X :±0.1		X.X :±1°		DWN Julia
X.XX :±0.1				CHKD Bruce
				APVD Liao
				SCALE 4:1 UNIT: mm
				SIZE: A3 SHEET:1 OF 1
				REV: A
<b>CUSTOMER COPY</b>				