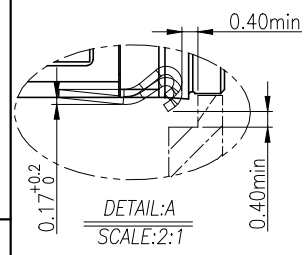


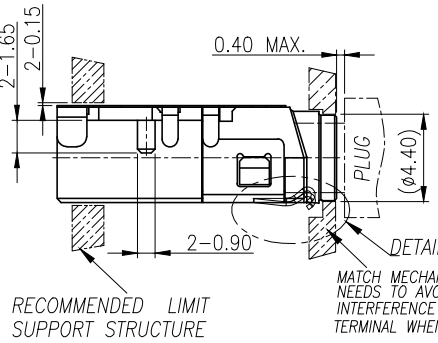
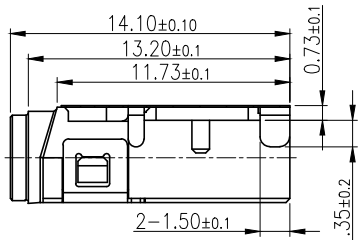
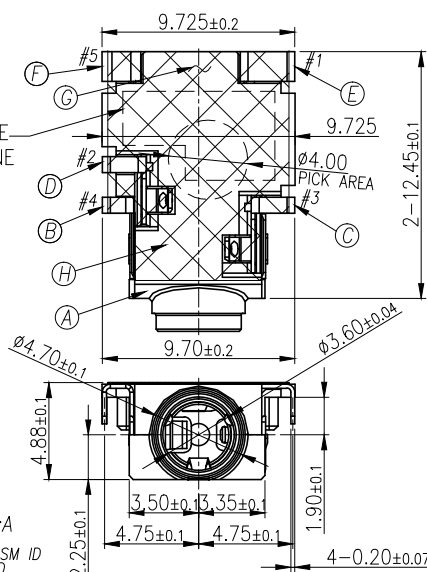
REV.	ECN NO OR DESCRIPTION	REVISED	DATE
A	PDR NO: S200331-2A	CAROL	2020.09.04

SPECIFICATIONS:

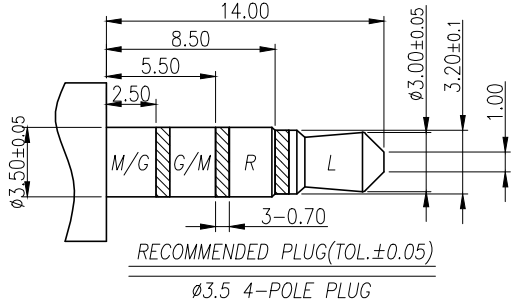
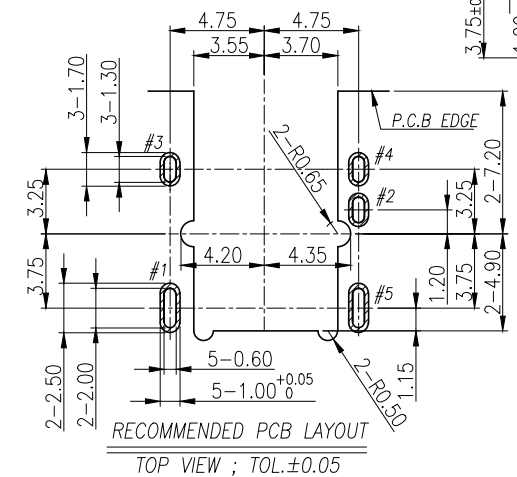
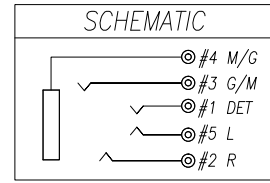
- ELECTRICAL CHARACTERISTICS:
 - RATING: 12V 1A
 - CONTACT RESISTANCE: 50mΩ MAX.(INITIAL)
 - DIELECTRIC WITHSTANDING VOLTAGE: 500V AC FOR ONE MINUTE.
 - INSULATION RESISTANCE: 100MΩ MIN. MEASURED BY 500 VDC.
- MECHANICAL CHARACTERISTICS:
 - INSERTION FORCE: INITIAL 0.7-2.0Kgf (AFTER THE FIFTH TIME);
 - WITHDRAWAL FORCE: INITIAL 0.7-2.5Kgf (TEST PLUG $\phi 2.98 \pm 0.02$ mm);
- LIFE TEST: 10,000 CYCLES MIN.
AFTER LIFE TEST, CONTACT RESISTANCE: 100mΩ MAX.
- PACKAGING : TAPE & REEL.
- AFTER HUMIDITY TEST, INSULATION RESISTANCE: 50MΩ MIN.
- TO CONFORM TO SINGATRON HAZARDOUS SUBSTANCE FREE SPEC.
- HALOGEN FREE PRODUCT IDENTIFICATION MARK ON PRODUCT:
- HALOGEN FREE PRODUCT IDENTIFICATION LOGO ON PACKAGING:
- FOR LEAD-FREE PROCESS.
- PRINTED DATE CODE "YMD-" ON TOP OF CONNECTOR.
- COMPLY WITH THE THRESHOLD OF SUBSTANCES WHICH ARE SPECIFIED IN ((0QA-2049).



DATE CODE MARK ZONE



MATCH MECHANISM ID NEEDS TO AVOID INTERFERENCE WITH TERMINAL WHEN PLUG IN.



H	Mylar	1	T=0.08	YELLOW
G	DUMMY	1	STAINLESS STEEL 0.25t	Ni 50u"
F	TIP	1	STAINLESS STEEL 0.25t	Au 4u" ON CONTACT AREA; GOLD FLASH ON SOLDER AREA; ALL OVER 50u" Ni.
E	DET	1	PHOSPHOR BRONZE 0.2t	
D	RING	1	PHOSPHOR BRONZE 0.2t	
C	GROUND	1	PHOSPHOR BRONZE 0.2t	
B	MIC	1	PHOSPHOR BRONZE 0.2t	
A	BODY	1	HIGH TEMP.THERMOPLASTIC	BLACK
NO	DESCRIPTION	QTY	MATERIAL	PLATING & COLOR

UNLESS OTHERWISE SPECIFIED TOLERANCES		Singatron Enterprise Co., Ltd. 信音企業股份有限公司	
DECIMALS:	ANGLES:	TITLE: 3.5Ø AUDIO JACK	
X :±0.1	X :±2°	DWN	CAROL PART NO. 2SJ3113-018111F
X.X :±0.1	X.X :±1°	CHKD	Bruce SCALE 4:1 UNIT: mm
X.XX :±0.1		APVD	Liao SIZE: A3 SHEET:1 OF 1 REV:A
CUSTOMER COPY			