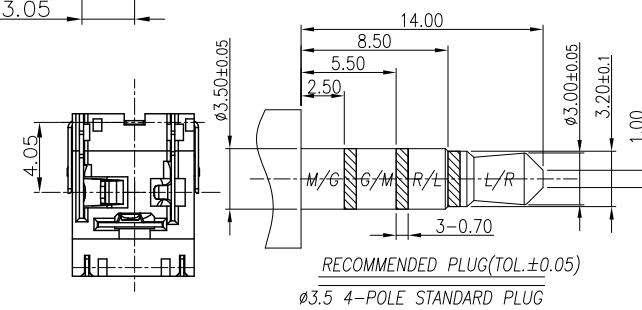
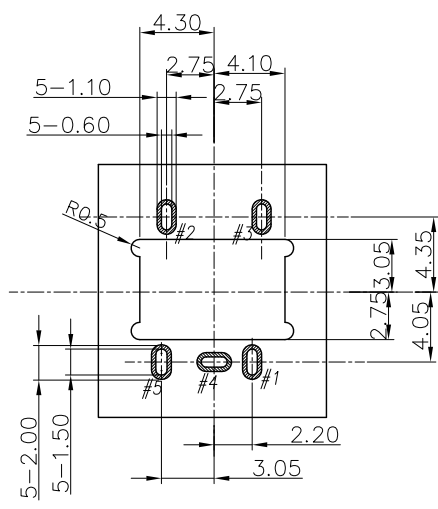
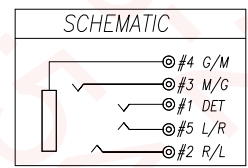
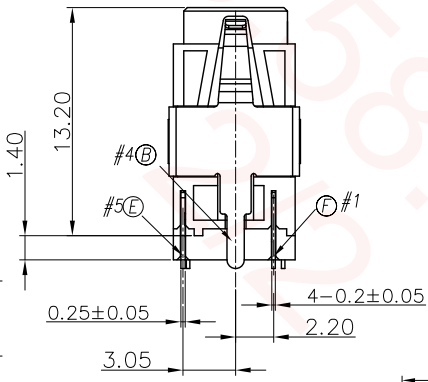
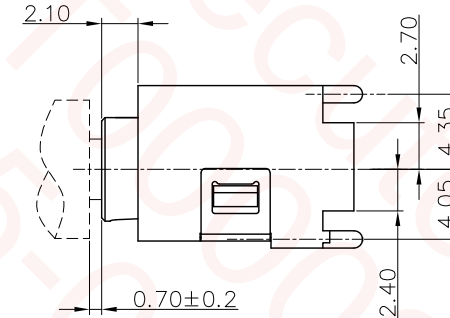
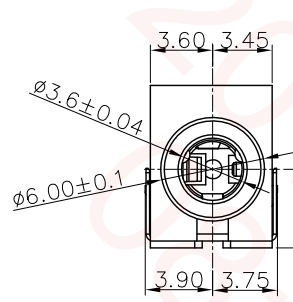
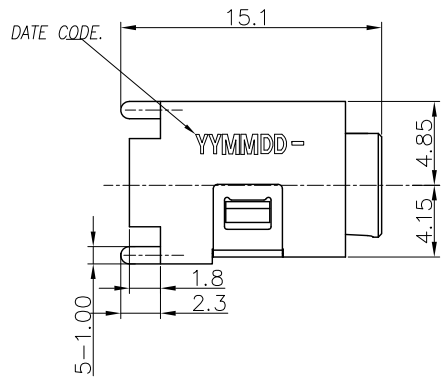
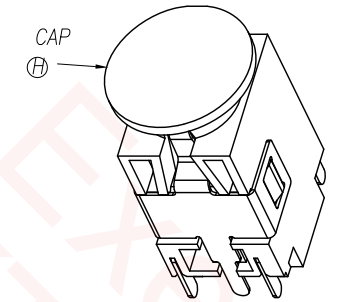
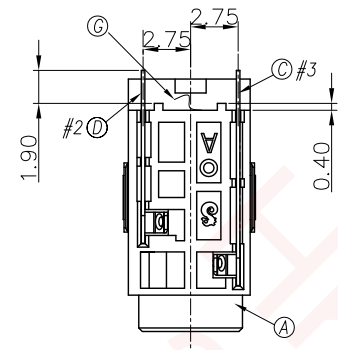
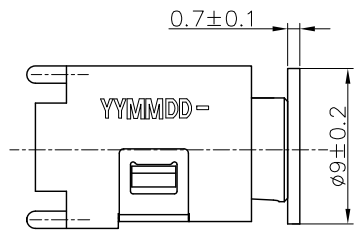


REV.	ECN NO OR DESCRIPTION	REVISED	DATE
A	PDR: S150311-1A	Bruce	2015.07.28



RECOMMENDED PCB LAYOUT
TOP VIEW ; TOL.±0.05

RECOMMENDED PLUG(TOL.±0.05)

Ø3.5 4-POLE STANDARD PLUG

- SPECIFICATIONS:
- INSULATION RESISTANCE BETWEEN ANY ADJACENT OPEN CIRCUIT TERMINAL SHELL NOT BE LESS THAN 100MΩ MEASURED BY 500 VDC.
 - CONTACT RESISTANCE: 50mΩ MAX(INITIAL).
 - INSULATION VOLTAGE WITHSTAND:500V AC FOR ONE MINUTE.
 - UNLESS OTHERWISE SPECIFIED, TEST IS TO BE MADE AT 5-35°C IN TEMPERATURE AND 45-85% IN HUMIDITY. BUT,IF ANY VAGUE DATA IS OCCURED ON TEST RESULT, ANOTHER TEST SHALL BE MADE AT 20°C±2°C IN TEMP., 60-70% IN HUMIDITY.
 - LIFE TEST: 10,000 CYCLES MIN.
 - INSERTION FORCE: 0.3~3.0Kgf .
 - WITHDRAWAL FORCE: 0.3 - 3.0Kgf .
 - AFTER LIFE TEST, CONTACT RESISTANCE: 100mΩ MAX.
 - AFTER HUMIDITY TEST, INSULATION RESISTANCE: 50MΩ MIN.
 - MARKING: MARK "S" ON CONNECTOR.
 - PACKAGING : TAPE & REEL.
 - TO CONFORM TO SINGATRON HAZARDOUS SUBSTANCE HAZARDOUS SPEC.
 - HALOGEN FREE PRODUCT IDENTIFICATION MARK ON PRODUCT:
 - HALOGEN FREE PRODUCT IDENTIFICATION LOGO ON PACKAGING:
 - IR REFLOW: 270° 5sec

NO	DESCRIPTION	QTY	MATERIAL	PLATING & COLOR
H	CAP	1	HIGH TEMP.THERMOPLASTICUL 94V-0	BLACK
G	DUMMY	1	SUS 301 1/2H 0.25t	50u" Ni Min
F	DETECT TERMINAL	1	PHOSPHOR BRONZE 0.2t	GOLD FLASH ON CONTACT AREA; GOLD FLASH ON SOLDER AREA; ALL OVER 50u" Ni.
E	TIP-SPRING	1	SUS 304 1/2H 0.25t	
D	RING-B	1	PHOSPHOR BRONZE 0.2t	
C	RING-A	1	PHOSPHOR BRONZE 0.2t	ALL OVER 50u" Ni.
B	EARTH-SPRING	1	PHOSPHOR BRONZE 0.2t	
A	BODY	1	HIGH TEMP.THERMOPLASTIC UL 94V-0	BLACK

UNLESS OTHERWISE SPECIFIED TOLERANCES		Singatron Enterprise Co., Ltd. 信音企業股份有限公司	
DECIMALS:	ANGLES:	TITLE	
X : ±0.5	X : ±2°	3.5Ø PHONE JACK	
X.X : ±0.3	X.X : ±1°	DWN	Bruce
X.XX : ±0.2		CHKD	Sky
		APVD	Lussen
		PART NO. 2SJ3123-001111F	
		SCALE	4:1
		UNIT:	mm
		SIZE:	A3
		SHEET:	1 OF 1
		REV:	A
CUSTOMER COPY			