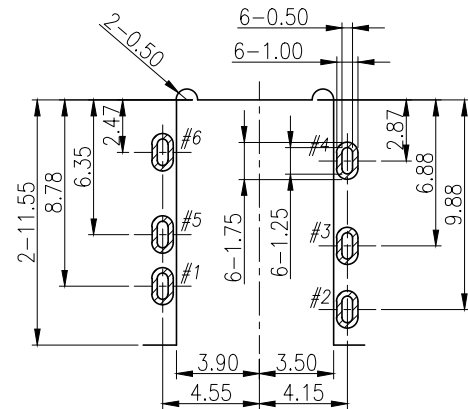
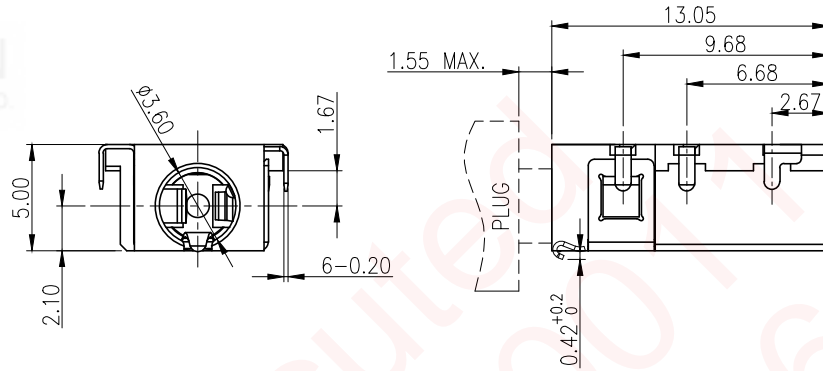
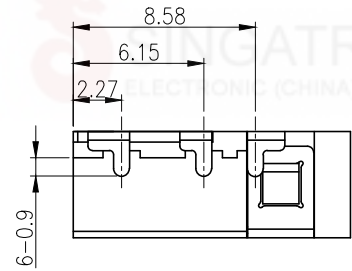
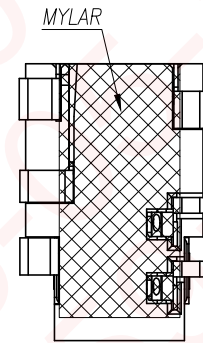
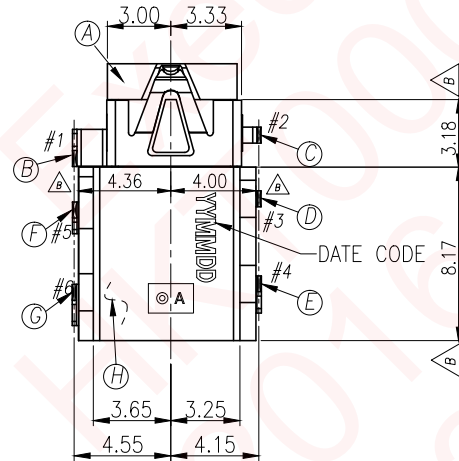


| REV. | ECN NO OR DESCRIPTION | REVISED | DATE |
|------|-------------------------------|---------|------------|
| A | PDR NO: T140331-1A | Feng | 2014.09.25 |
| B | ECN NO: S160401-C \triangle | Ken | 2016.04.27 |

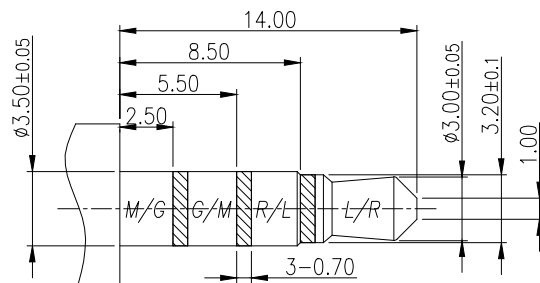


RECOMMENDED PCB LAYOUT
TOP VIEW ; TOL.±0.05

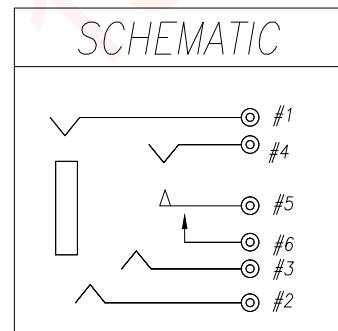


SPECIFICATIONS:

- INSULATION RESISTANCE BETWEEN ANY ADJACENT OPEN CIRCUIT TERMINAL SHELL NOT BE LESS THAN 100MΩ MEASURED BY 500 VDC .
- CONTACT RESISTANCE: 50mΩ MAX(INITIAL).
- INSULATION VOLTAGE WITHSTAND:500V AC FOR ONE MINUTE.
- LIFE TEST: 5,000 CYCLES MIN.
- INSERTION FORCE: 0.3-3.0 Kgf.
- WITHDRAWAL FORCE: 0.3-3.0 Kgf.
- AFTER LIFE TEST, CONTACT RESISTANCE: 100mΩ MAX.
- AFTER HUMIDITY TEST, INSULATION RESISTANCE: 50MΩ MIN.
- MARKING: MARK "S" ON TOP OF CONNECTOR.
- PACKING : TAPE & REEL.
- TO CONFORM TO SINGATRON HAZARDOUS SUBSTANCE FREE SPEC.
- HALOGEN FREE PRODUCT IDENTIFICATION MARK ON PRODUCT:
- HALOGEN FREE PRODUCT IDENTIFICATION LOGO ON PACKAGING:



RECOMMENDED PLUG
3.5 4-POLE STANDARD PLUG



| NO | DESCRIPTION | QTY | MATERIAL | PLATING & COLOR |
|----|-------------------|-----|-------------------------------------|--|
| I | MYLAR | 1 | | YELLOW |
| H | SEPARATOR | 1 | HIGH TEMP.THERMOPLASTIC UL 94V-0 | BLACK |
| G | MAKE TERMINAL | 1 | PHOSPHOR BRONZE 0.2t | Au 5u" ON CONTACT AREA; GOLD FLASH ON SOLDER AREA; ALL OVER 50u" Ni. |
| F | TRANSFER TERMINAL | 1 | PHOSPHOR BRONZE 0.2t | |
| E | TIP SPRING | 1 | PHOSPHOR BRONZE 0.2t | |
| D | RING A | 1 | PHOSPHOR BRONZE 0.2t | |
| C | RING B | 1 | PHOSPHOR BRONZE 0.2t | |
| B | EARTH | 1 | PHOSPHOR BRONZE 0.2t | |
| A | BODY | 1 | HIGH TEMP.THERMOPLASTIC UL 94V-0 | BLACK |

UNLESS OTHERWISE SPECIFIED TOLERANCES

Singatron Enterprise Co., Ltd.
 信音企業股份有限公司

| DECIMALS: | ANGLES: | TITLE | 3.5φ PHONE JACK | | |
|------------|----------|-------------|--------------------------|---------------|--------|
| X :±0.5 | X :±2° | DWN Ken | PART NO. 2SJ3127-003111F | | |
| X.X :±0.3 | X.X :±1° | CHKD cerry | SCALE 4:1 | UNIT: mm | |
| X.XX :±0.2 | | APVD lussen | SIZE: A3 | SHEET: 1 OF 1 | REV: B |

CUSTOMER COPY