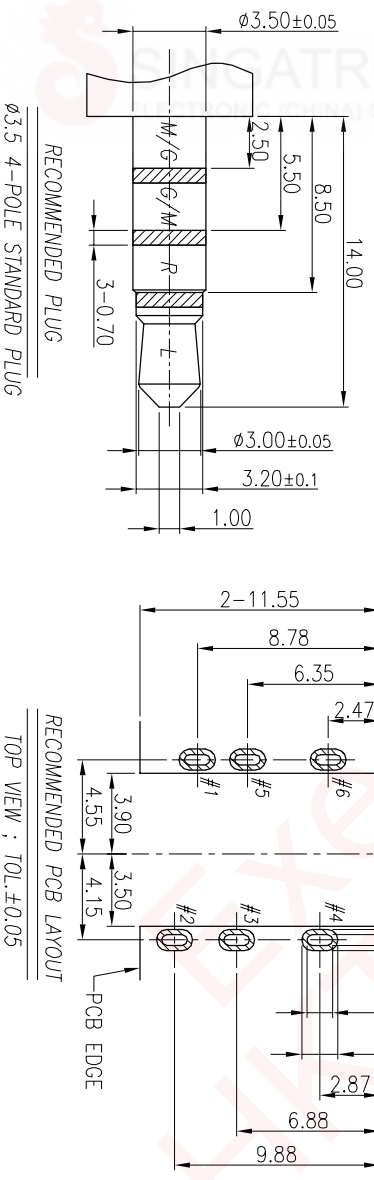
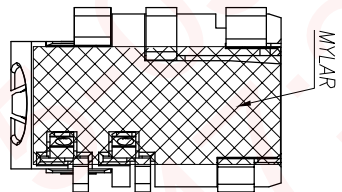
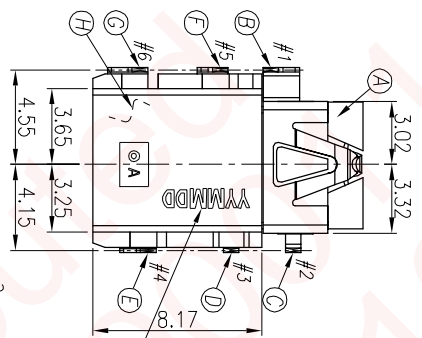
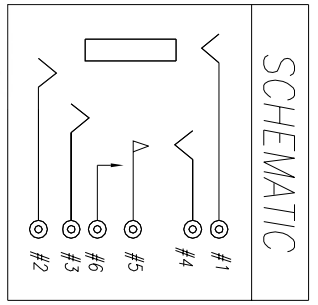
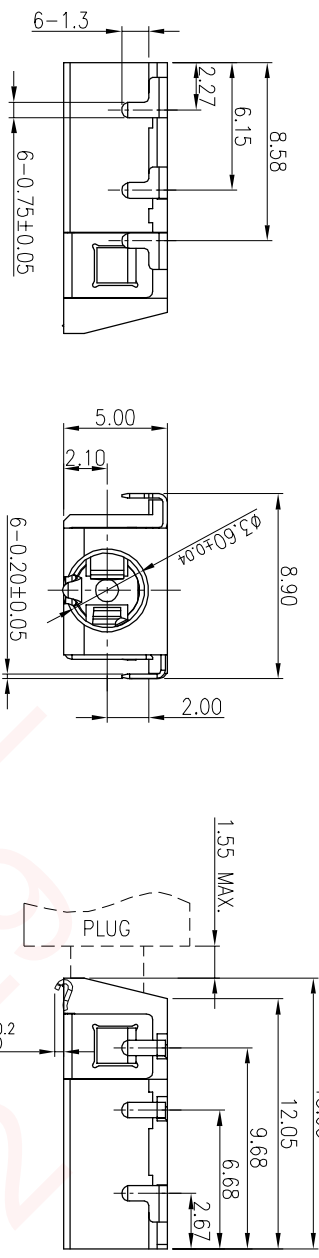


REV.	ECN NO OR DESCRIPTION	REVISED	DATE
A	PDR NO: T141103-2A	FENG	2015.05.06



SPECIFICATIONS:

- INSULATION RESISTANCE BETWEEN ANY ADJACENT OPEN CIRCUIT TERMINAL SHELL NOT BE LESS THAN 100M MEASURED BY 500V DC
- CONTACT RESISTANCE: 50mΩ MAX(INITIAL).
- INSULATION VOLTAGE WITHSTAND: 500V AC FOR ONE MINUTE.
- LIFE TEST: 5,000 CYCLES MIN.
- INSERTION FORCE: INITIAL 0.3-3.0Kgf ;
- WITHDRAWAL FORCE: INITIAL 0.3-3.0 Kgf;
- AFTER LIFE TEST, CONTACT RESISTANCE: 100mΩ MAX.
- AFTER HUMIDITY TEST, INSULATION RESISTANCE: 50MΩ MIN.
- MARKING: MARK "S" ON CONNECTOR.
- PACKAGING : TAPE & REEL.
- TO CONFORM TO SINGATRON HAZARDOUS SUBSTANCE FREE SPEC.
- HALOGEN FREE PRODUCT IDENTIFICATION MARK ON PRODUCT:
- HALOGEN FREE PRODUCT IDENTIFICATION LOGO ON PACKAGING:

I	MYLAR	1	KAPTON 0.08T	YELLOW
H	SEPARATOR	1	HIGH TEMP.THERMOPLASTIC,UL 94V-0	BLACK
G	MAKE TERMINAL	1	PHOSPHOR BRONZE 0.2t	
F	TRANSFER TERMINAL	1	PHOSPHOR BRONZE 0.2t	
E	TIP SPRING	1	SUS304-1/2H 0.2t	
D	RING A	1	PHOSPHOR BRONZE 0.2t	
C	RING B	1	PHOSPHOR BRONZE 0.2t	
B	EARTH	1	PHOSPHOR BRONZE 0.2t	
A	BODY	1	HIGH TEMP.THERMOPLASTIC,UL 94V-0	BLACK
NO	DESCRIPTION	QTY	MATERIAL	PLATING & COLOR
UNLESS OTHERWISE SPECIFIED TOLERANCES				
DECIMALS: ANGLES:				
X	:±0.5	X	:±2°	
X.X	:±0.3	X.X	:±1°	
X.XX	:±0.2			
TITLE: 3.5φ PHONE JACK				
DWN	Feng	PART NO.	2S13127-007111F	
CHKD	Bruce	SCALE	4:1	UNIT: mm
APVD	Lussen	SIZE: A3	SHEET: 1 OF 1	REV: A
CUSTOMER COPY				

Singatron Enterprise Co., Ltd.
信晉企業股份有限公司

GOOD FLASH ON CONTACT AREA
GOOD FLASH ON SOLDER AREA
ALL OVER 300 μm.