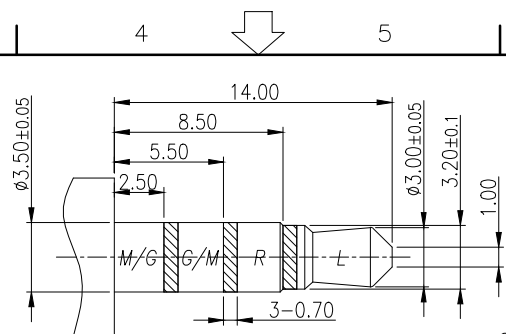
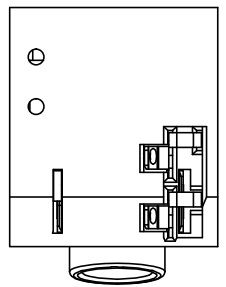


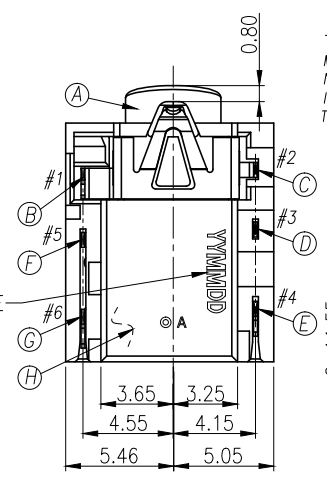
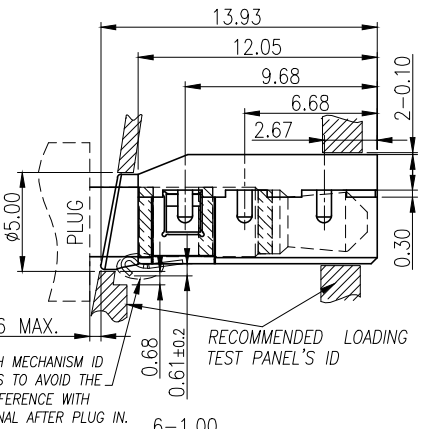
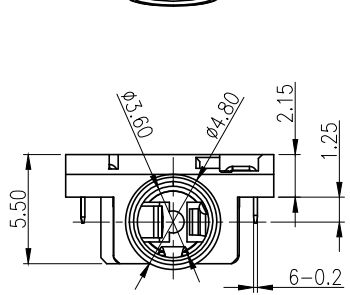
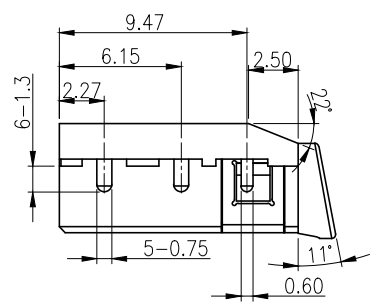
REV.	ECN NO OR DESCRIPTION	REVISED	DATE
A	PDR NO: T160630-9A	Yulin	2017.02.20



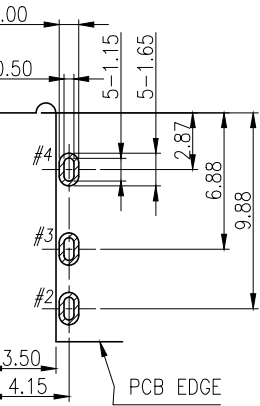
RECOMMENDED PLUG
 Ø3.5 4-POLE STANDARD PLUG

SPECIFICATIONS:

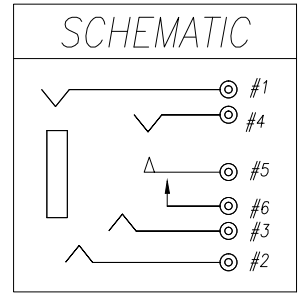
1. RATING: 12V 1A.
2. INSULATION RESISTANCE BETWEEN ANY ADJACENT OPEN CIRCUIT TERMINAL SHELL NOT BE LESS THAN 100MΩ MEASURED BY 500 VDC .
3. CONTACT RESISTANCE: 50mΩ MAX(INITIAL).
4. INSULATION VOLTAGE WITHSTAND:500V AC FOR ONE MINUTE.
5. LIFE TEST: 5,000 CYCLES MIN.
6. INSERTION FORCE: 0.3-3.0Kgf ,
7. WITHDRAWAL FORCE: 0.3-3.0 Kgf,
8. AFTER TEST, CONTACT RESISTANCE: 100mΩ MAX.
9. AFTER HUMIDITY TEST, INSULATION RESISTANCE: 50MΩ MIN.
10. PACKING : TAPE & REEL.
11. TO CONFORM TO SINGATRON HAZARDOUS SUBSTANCE FREE SPEC.
12. HALOGEN FREE PRODUCT IDENTIFICATION MARK ON PRODUCT:
13. HALOGEN FREE PRODUCT IDENTIFICATION LOGO ON PACKAGING:
14. PLEASE PUT THE PRODUCT IN A CONDITION WHERE IS FULL OF NITROGEN WHEN PASS THE IR REFLOW



0.56 MAX.
 MATCH MECHANISM ID
 NEEDS TO AVOID THE
 INTERFERENCE WITH
 TERMINAL AFTER PLUG IN.



RECOMMENDED PCB LAYOUT
 TOP VIEW ; TOL.±0.05



H	SEPARATOR	1	HIGH TEMP.THERMOPLASTIC UL 94V-0	BLACK
G	MAKE TERMINAL	1	PHOSPHOR BRONZE 0.2t	GOLD FLASH ON CONTACT AREA; GOLD FLASH ON SOLDER AREA; ALL OVER 50µ" NI.
F	TRANSFER TERMINAL	1	PHOSPHOR BRONZE 0.2t	
E	TIP SPRING	1	SUS 0.2t	
D	RING A	1	PHOSPHOR BRONZE 0.2t	
C	RING B	1	PHOSPHOR BRONZE 0.2t	PANTONE COOL GRAY 11C
B	EARTH	1	PHOSPHOR BRONZE 0.2t	
A	BODY	1	HIGH TEMP.THERMOPLASTIC UL 94V-0	
NO	DESCRIPTION	QTY	MATERIAL	PLATING & COLOR

UNLESS OTHERWISE SPECIFIED TOLERANCES		Singatron Enterprise Co., Ltd. 信音企業股份有限公司	
DECIMALS:		TITLE	
X :±0.5	X :±2°	3.5Ø PHONE JACK	
X.X :±0.3	X.X :±1°	DWN	Yulin PART NO. 2SJ3127-019111F
X.XX :±0.2		CHKD	Bruce SCALE 4:1 UNIT: mm
		APVD	Lussen SIZE: A3 SHEET:1 OF 1 REV: A
CUSTOMER COPY			