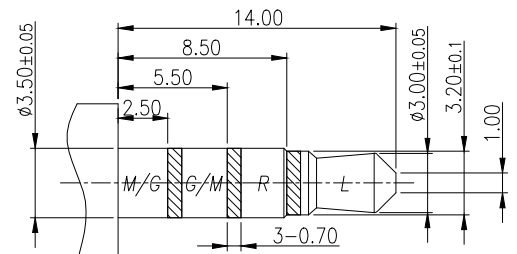


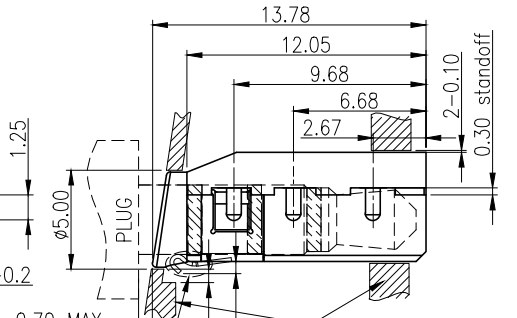
REV.	ECN NO OR DESCRIPTION	REVISED	DATE
A	PDR NO: T161018-1A	Yulin	2017.02.16

SPECIFICATIONS:

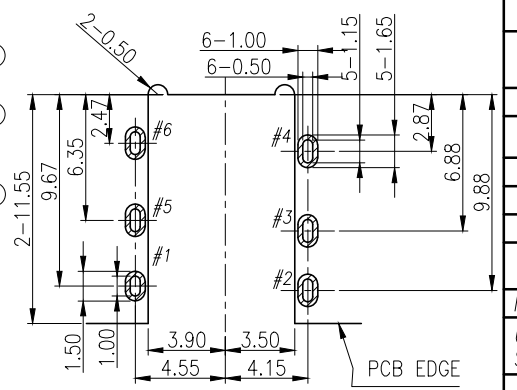
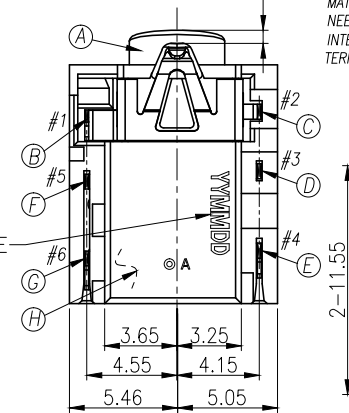
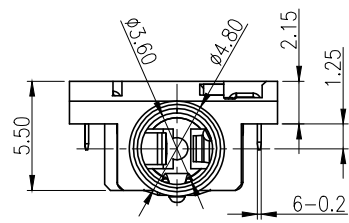
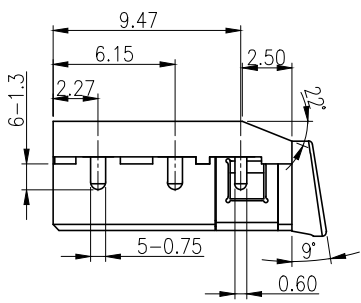
1. RATING: 12V 1A.
2. INSULATION RESISTANCE BETWEEN ANY ADJACENT OPEN CIRCUIT TERMINAL SHELL NOT BE LESS THAN 100MΩ MEASURED BY 500 VDC .
3. CONTACT RESISTANCE: 50mΩ MAX(INITIAL).
4. INSULATION VOLTAGE WITHSTAND:500V AC FOR ONE MINUTE.
5. LIFE TEST: 5,000 CYCLES MIN.
6. INSERTION FORCE: 0.3-3.0Kgf ,
7. WITHDRAWAL FORCE: 0.3-3.0 Kgf,
8. AFTER TEST, CONTACT RESISTANCE: 100mΩ MAX.
9. AFTER HUMIDITY TEST, INSULATION RESISTANCE: 50MΩ MIN.
10. PACKING : TAPE & REEL.
11. TO CONFORM TO SINGATRON HAZARDOUS SUBSTANCE FREE SPEC.
12. HALOGEN FREE PRODUCT IDENTIFICATION MARK ON PRODUCT:
13. HALOGEN FREE PRODUCT IDENTIFICATION LOGO ON PACKAGING:



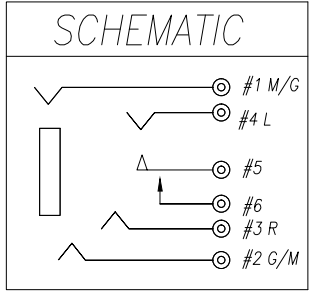
RECOMMENDED PLUG  
 Ø3.5 4-POLE STANDARD PLUG



RECOMMENDED LOADING TEST PANEL'S ID  
 MATCH MECHANISM ID NEEDS TO AVOID THE INTERFERENCE WITH TERMINAL AFTER PLUG IN.



RECOMMENDED PCB LAYOUT  
 TOP VIEW ; TOL.±0.05



NO	DESCRIPTION	QTY	MATERIAL	PLATING & COLOR
H	SEPARATOR	1	HIGH TEMP.THERMOPLASTIC UL 94V-0	BLACK
G	MAKE TERMINAL	1	PHOSPHOR BRONZE 0.2t	GOLD FLASH ON CONTACT AREA; GOLD FLASH ON SOLDER AREA; ALL OVER 50u" Ni.
F	TRANSFER TERMINAL	1	PHOSPHOR BRONZE 0.2t	
E	TIP SPRING	1	SUS 0.2t	
D	RING A	1	PHOSPHOR BRONZE 0.2t	
C	RING B	1	PHOSPHOR BRONZE 0.2t	
B	EARTH	1	PHOSPHOR BRONZE 0.2t	
A	BODY	1	PA4T UL 94V-0	BLACK

UNLESS OTHERWISE SPECIFIED TOLERANCES

Singatron Enterprise Co., Ltd.  
 信音企業股份有限公司

DECIMALS:	ANGLES:	TITLE	3.5Ø PHONE JACK		
X :±0.5	X :±2°	DWN	Yulin	PART NO. 2SJ3127-022111F	
X.X :±0.3	X.X :±1°	CHKD	Bruce	SCALE 4:1	UNIT: mm
X.XX :±0.2		APVD	Lussen	SIZE: A3	SHEET:1 OF 1
REV: A					

CUSTOMER COPY