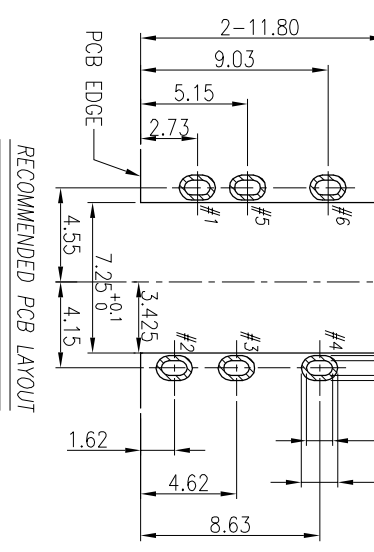
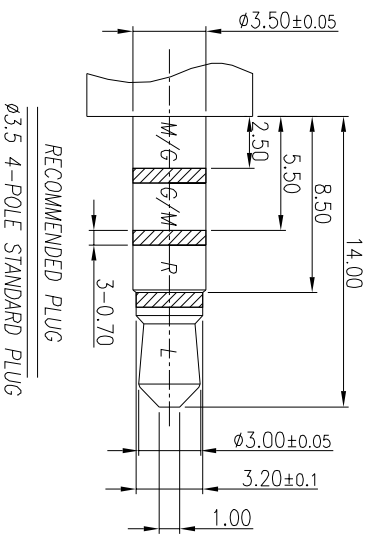
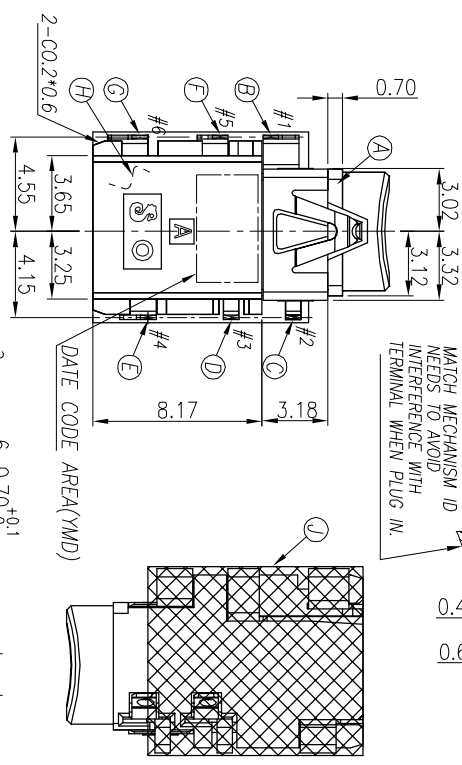
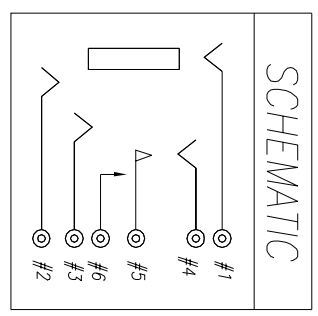
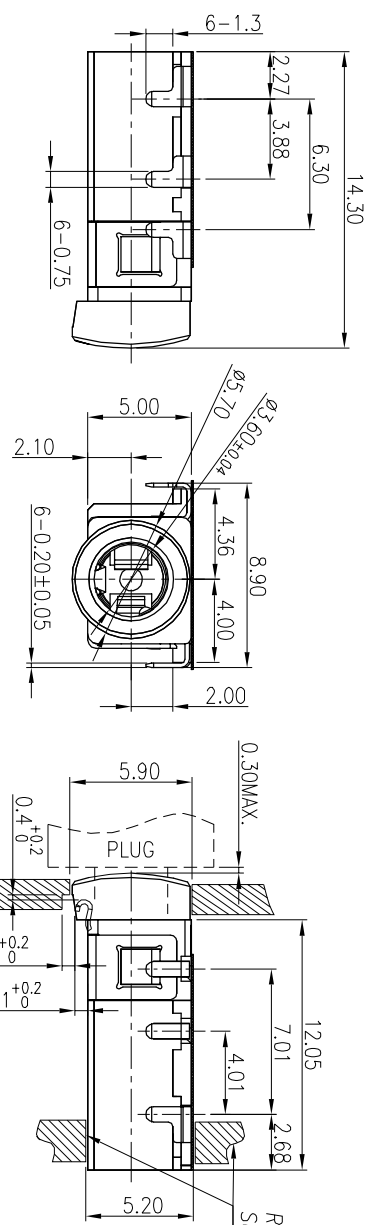


REV.	ECN NO. OR DESCRIPTION	REVISED	DATE
A	PDR NO.: T190507-7A	QuonYI	2019.12.05



- SPECIFICATIONS:
- ELECTRICAL CHARACTERISTICS:
 - RATING: 12V 1A
 - CONTACT RESISTANCE: 50mΩ MAX.(INITIAL)
 - DIELECTRIC WITHSTANDING VOLTAGE: 500V AC FOR ONE MINUTE.
 - INSULATION RESISTANCE: 100MΩ MIN. MEASURED BY 500 VDC.
 - MECHANICAL CHARACTERISTICS:
 - INSERTION FORCE: 0.3~3.0kgf INITIAL ; 2-2. WITHDRAWAL FORCE: 0.3~3.0kgf INITIAL.
 - LIFE TEST: 5,000 CYCLES MIN.
 - AFTER LIFE TEST, CONTACT RESISTANCE: 100mΩ MAX.
 - PACKAGING : TAPE & REEL.
 - AFTER HUMIDITY TEST, INSULATION RESISTANCE: 50MΩ MIN.
 - TO CONFORM TO SINGAITRON HAZARDOUS SUBSTANCE FREE SPEC.
 - HALOGEN FREE PRODUCT IDENTIFICATION MARK ON PRODUCT:
 - HALOGEN FREE PRODUCT IDENTIFICATION LOGO ON PACKAGING:
 - FOR REFLOW SOLDERING LEAD-FREE PROCESS.
 - PRINTED DATE CODE "MMDD-" ON TOP OF CONNECTOR.

J	WYIAR	1	KAPTON 0.10T	BROWN
H	SEPARATOR	1	HIGH TEMP.THERMOPLASTIC,UL 94V-0	BLACK
G	MAKE TERMINAL	1	PHOSPHOR BRONZE 0.2t	
F	TRANSFER TERMINAL	1	PHOSPHOR BRONZE 0.2t	
E	TIP SPRING	1	STAINLESS STEEL 0.2t	
D	RING A	1	PHOSPHOR BRONZE 0.2t	Au 5μ" ON CONTACT AREA COLD FLASH ON SOLDER HALL, ALL OTHER 500μ IN.
C	RING B	1	PHOSPHOR BRONZE 0.2t	
B	EARTH	1	PHOSPHOR BRONZE 0.2t	
A	BODY	1	HIGH TEMP.THERMOPLASTIC,UL 94V-0	BLACK
NO	DESCRIPTION	QTY	MATERIAL	PLATING & COLOR
UNLESS OTHERWISE SPECIFIED TOLERANCES				
DECIMALS: ANGLES:				
X	:±0.5	X	:±2°	
X.X	:±0.3	X.X	:±1°	
X.XX	:±0.2			
TITLE: 3.5φ AUDIO JACK				
DWN	QuonYI	PART NO.	2S13127-030111F	
CHKD	Bruce	SCALE	4:1	UNIT: mm
APVD	Lido	SIZE: A3	SHEET: 1 OF 1	REV: A
CUSTOMER COPY				

Singatron Enterprise Co., Ltd.
信音企業股份有限公司