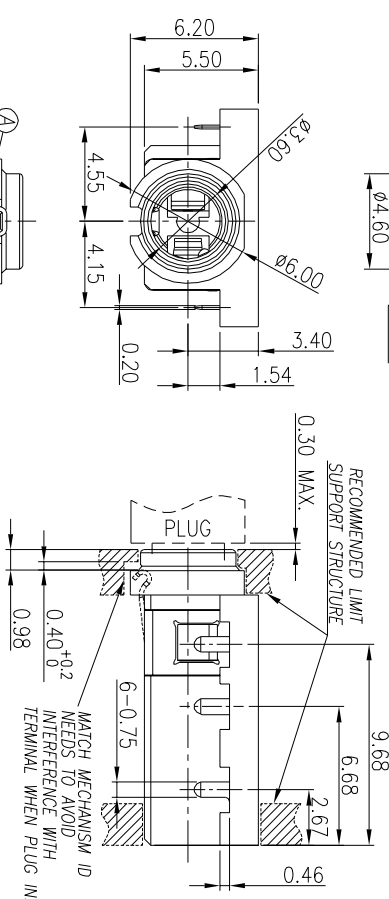
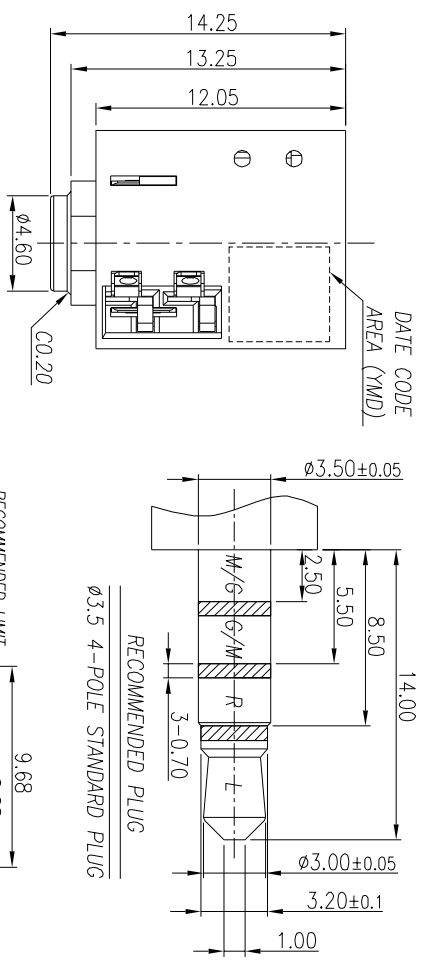


REV	ECN NO OR DESCRIPTION	REVISED	DATE
A	PDR NO: T190626-4A	RAINY	2020.01.03



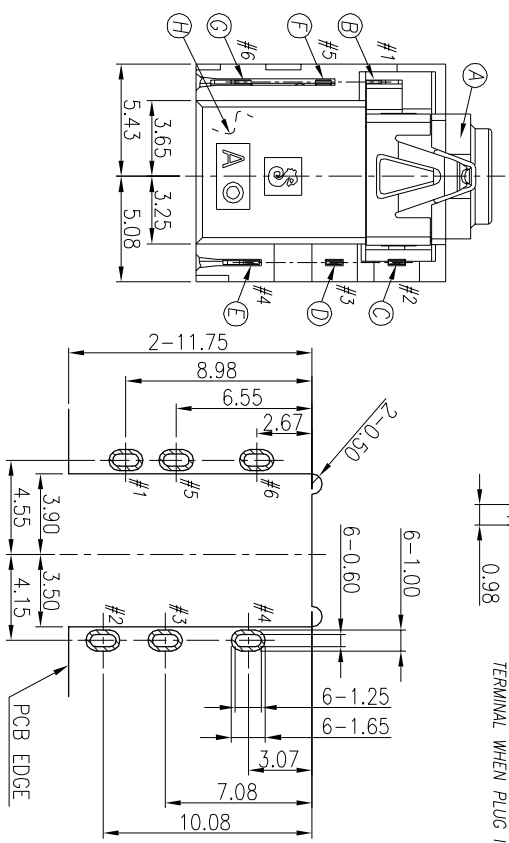
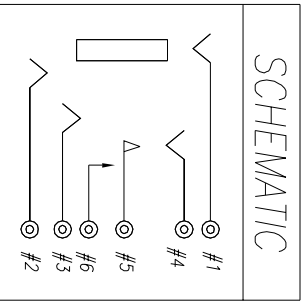
**SPECIFICATIONS:**

**1. ELECTRICAL CHARACTERISTICS:**

- 1-1. RATING: 12V 1A
- 1-2. CONTACT RESISTANCE: 50mΩ MAX.(INITIAL)
- 1-3. DIELECTRIC WITHSTANDING VOLTAGE: 500V AC FOR ONE MINUTE.
- 1-4. INSULATION RESISTANCE: 100MΩ MIN. MEASURED BY 500 VDC.

**2. MECHANICAL CHARACTERISTICS:**

- 2-1. INSERTION FORCE: INITIAL 0.3-3.0kgf;
- 2-2. WITHDRAWAL FORCE: INITIAL 0.3-3.0kgf;
- 3. LIFE TEST: 5,000 CYCLES MIN.
- 4. AFTER LIFE TEST, CONTACT RESISTANCE: 100mΩ MAX.
- 5. AFTER HUMIDITY TEST, INSULATION RESISTANCE: 50MΩ MIN.
- 6. TO CONFORM TO SINGATRON HAZARDOUS SUBSTANCE FREE SPEC.
- 7. HALOGEN FREE PRODUCT IDENTIFICATION MARK ON PRODUCT:
- 8. HALOGEN FREE PRODUCT IDENTIFICATION LOGO ON PACKAGING:
- 9. FOR REFLOW SOLDERING LEAD-FREE PROCESS.
- 10. PRINTED DATE CODE "MMDD" ON TOP OF CONNECTOR.



RECOMMENDED PCB LAYOUT  
TOP VIEW ; TOL.±0.05

NO	DESCRIPTION	QTY	MATERIAL	PLATING & COLOR
H	SEPARATOR	1	HIGH TEMP.THERMOPLASTIC UL 94V-0	BLACK
G	MAKE TERMINAL	1	PHOSPHOR BRONZE 0.2T	
F	TRANSFER TERMINAL	1	PHOSPHOR BRONZE 0.2T	
E	TIP SPRING	1	STAINLESS STEEL 0.2T	
D	RING A	1	PHOSPHOR BRONZE 0.2T	GOLD FLASH ON CONTACT AREA GOLD FLASH ON SOLDER AREA AL OVER 50μ IN.
C	RING B	1	PHOSPHOR BRONZE 0.2T	
B	EARTH	1	PHOSPHOR BRONZE 0.2T	
A	BODY	1	HIGH TEMP.THERMOPLASTIC UL 94V-0	BLACK
NO	DESCRIPTION	QTY	MATERIAL	PLATING & COLOR

Singatron Enterprise Co., Ltd.  
信晉企業股份有限公司

UNLESS OTHERWISE SPECIFIED TOLERANCES

DECIMALS: ANGLES:  
X :±0.5 X :±2  
X.X :±0.3 X.X :±1  
X.XX :±0.2

TITLE: 3.5Φ AUDIO JACK  
DWN RAINY PART NO. 2S3127-032111F  
CHKD BRUCE SCALE 4:1 UNIT: mm  
APVD LMAO SIZE: A3 SHEET: 1 OF 1 REV: A

CUSTOMER COPY