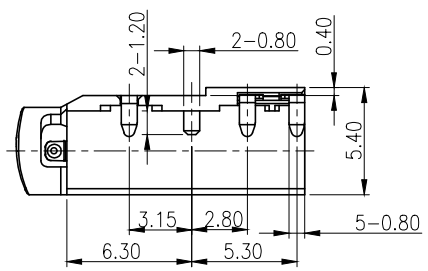
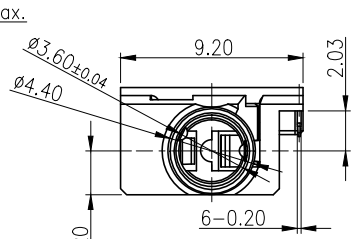
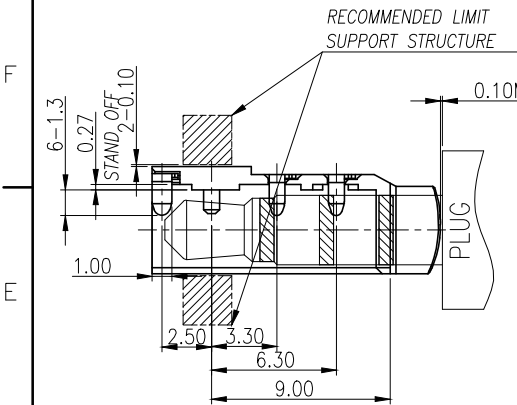
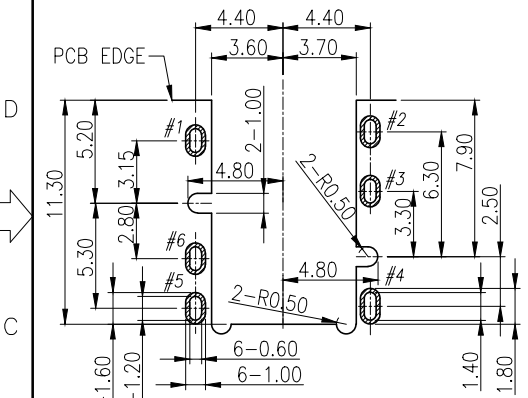


REV.	ECN NO OR DESCRIPTION	REVISED	DATE
A	PDR NO: T230907-1A	Jiujian	2023.12.26

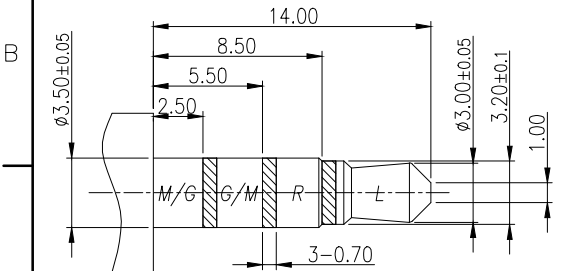


SPECIFICATIONS:

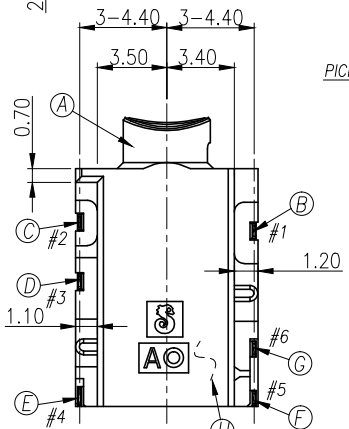
- ELECTRICAL CHARACTERISTICS:
 - 1-1. RATING: 12V 1A
 - 1-2. CONTACT RESISTANCE: 50mΩ MAX.(INITIAL)
 - 1-3. DIELECTRIC WITHSTANDING VOLTAGE: 500V AC FOR ONE MINUTE
 - 1-4. INSULATION RESISTANCE: 100MΩ MIN. MEASURED BY 500V DC
- MECHANICAL CHARACTERISTICS:
 - 2-1. INITIAL: INSERTION FORCE: 0.8~3.0Kgf ;
WITHDRAWAL FORCE: 0.6~1.8Kgf ;
 - 2-2. AFTER LIFE TEST:
INSERTION FORCE: 2.5Kgf Max ;
WITHDRAWAL FORCE: 0.5Kgf Min. ;
- LIFE TEST: 2,000 CYCLES MIN.
- AFTER LIFE TEST, CONTACT RESISTANCE: 100mΩ MAX.
- PACKAGING: TAPE & REEL.
- MARKING: MARK "S" ON JACK.
- TO CONFORM TO SINGATRON HAZARDOUS SUBSTANCE FREE SPEC.
- HALOGEN FREE PRODUCT IDENTIFICATION MARK ON PRODUCT:
- HALOGEN FREE PRODUCT IDENTIFICATION LOGO ON PACKAGING:
- PRINTED DATE CODE "VMD-" ON TOP OF JACK.



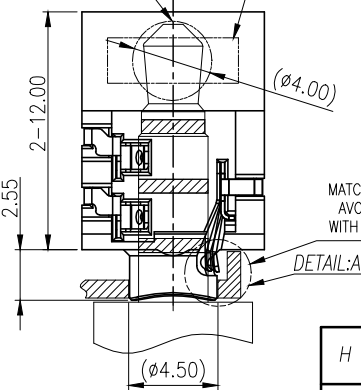
RECOMMENDED PCB LAYOUT
TOP VIEW ; TOL.±0.05



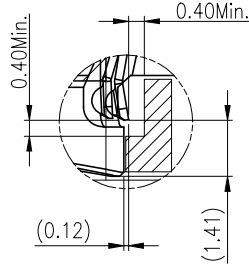
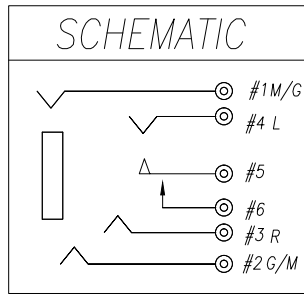
RECOMMENDED PLUG
 $\phi 3.5$ 4-POLE PLUG(TOL.±0.05)



PICK & PLACE AREA DATE CODE AREA



MATCHED MECHANISM'S ID NEED TO AVOID INTERFERENCE WITH TERMINAL AFTER PLUG IN



DETAIL:A
SCALE:2:1

H	SEPARATOR	1	HIGH TEMP.THERMOPLASTIC UL 94V-0	BLACK																
G	MAKE TERMINAL	1	PHOSPHOR BRONZE 0.2t	GOLD FLASH ON CONTACT AREA; GOLD FLASH ON SOLDER AREA; ALL OVER 50μ" NI.																
F	TRANSFER TERMINAL	1	PHOSPHOR BRONZE 0.2t																	
E	TIP SPRING	1	STAINLESS STEEL 0.2T																	
D	RING A	1	PHOSPHOR BRONZE 0.2t																	
C	RING B	1	PHOSPHOR BRONZE 0.2t																	
B	EARTH	1	PHOSPHOR BRONZE 0.2t																	
A	BODY	1	HIGH TEMP.THERMOPLASTIC UL 94V-0	BLACK																
NO	DESCRIPTION	QTY	MATERIAL	PLATING & COLOR																
UNLESS OTHERWISE SPECIFIED TOLERANCES		Singatron Enterprise Co., Ltd. 信音企業股份有限公司																		
DECIMALS:		TITLE																		
X	:±0.5	X :±2°																		
X.X	:±0.3	X.X :±1°																		
X.XX	:±0.2	X.XX :±1°																		
		<table border="1"> <tr> <th>TITLE</th> <th colspan="3">$\phi 3.5$ AUDIO JACK</th> </tr> <tr> <td>DWN</td> <td>Jiujian</td> <td colspan="2">PART NO. 2SJ3127-045111F</td> </tr> <tr> <td>CHKD</td> <td>Bruce</td> <td>SCALE 4:1</td> <td>UNIT: mm</td> </tr> <tr> <td>APVD</td> <td>Liao</td> <td>SIZE: A3</td> <td>SHEET:1 OF 1</td> </tr> </table>			TITLE	$\phi 3.5$ AUDIO JACK			DWN	Jiujian	PART NO. 2SJ3127-045111F		CHKD	Bruce	SCALE 4:1	UNIT: mm	APVD	Liao	SIZE: A3	SHEET:1 OF 1
TITLE	$\phi 3.5$ AUDIO JACK																			
DWN	Jiujian	PART NO. 2SJ3127-045111F																		
CHKD	Bruce	SCALE 4:1	UNIT: mm																	
APVD	Liao	SIZE: A3	SHEET:1 OF 1																	
		<table border="1"> <tr> <td colspan="4">CUSTOMER COPY</td> </tr> <tr> <td>REV: A</td> <td colspan="3"></td> </tr> </table>			CUSTOMER COPY				REV: A											
CUSTOMER COPY																				
REV: A																				