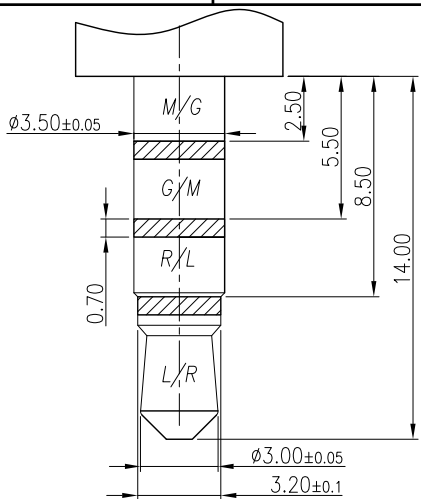
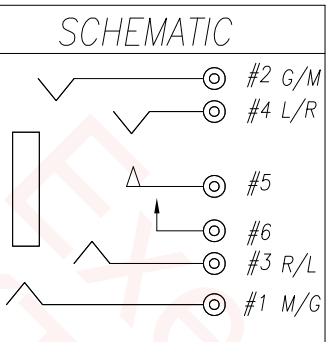
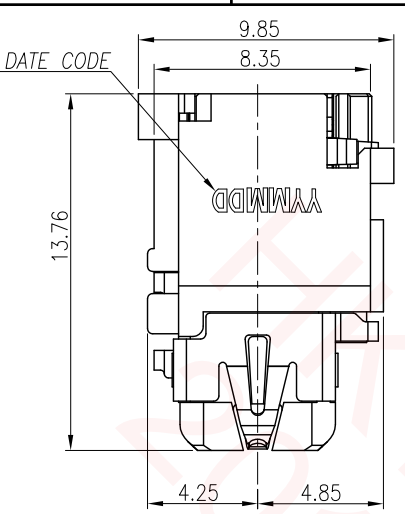


REV.	ECN NO OR DESCRIPTION	REVISED	DATE
A	PDR NO :T141218-1A	Owen	2015.2.3

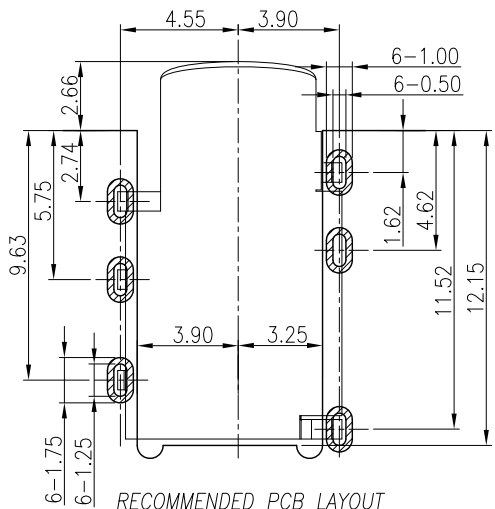
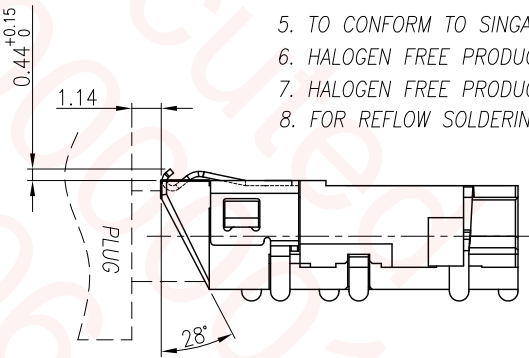
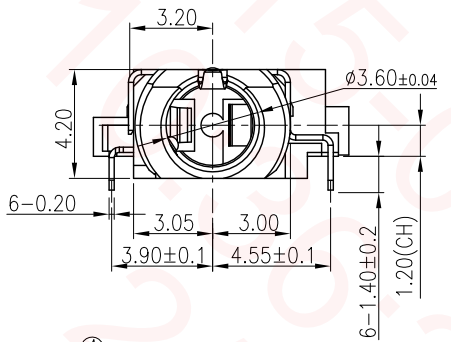
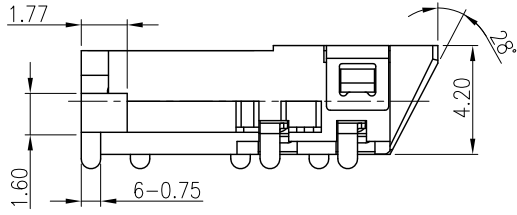


RECOMMENDED PLUG
Ø3.5 4-POLE STANDARD PLUG

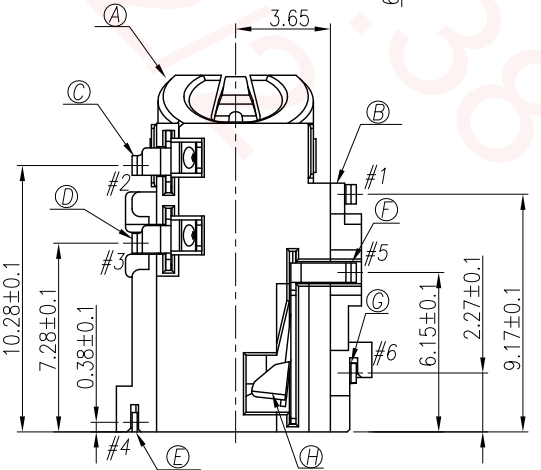


SPECIFICATIONS:

- ELECTRICAL CHARACTERISTICS:
 - 1-1. RATING: 12V 1A
 - 1-2. CONTACT RESISTANCE: 30mΩ MAX.(INITIAL)
 - 1-3. DIELECTRIC WITHSTANDING VOLTAGE: 500V AC FOR ONE MINUTE.
 - 1-4. INSULATION RESISTANCE: 100MΩ MIN. MEASURED BY 500 VDC
- MECHANICAL CHARACTERISTICS:
 - 2-1. INSERTION FORCE : 0.3~3.0 KGF
 - 2-2. WITHDRAWAL FORCE : 0.3~3.0 KGF
- LIFE TEST: 5,000 CYCLES MIN.
- OTHER GENERAL SPEC. TO REFER "2SJ3128 SERIES SPEC".
- TO CONFORM TO SINGATRON HAZARDOUS SUBSTANCE FREE SPEC.
- HALOGEN FREE PRODUCT IDENTIFICATION MARK ON PRODUCT:
- HALOGEN FREE PRODUCT IDENTIFICATION LOGO ON PACKAGING:
- FOR REFLOW SOLDERING LEAD-FREE PROCESS.



RECOMMENDED PCB LAYOUT
TOP VIEW ; TOL.±0.05



H	DESCRIPTION	QTY	MATERIAL	PLATING & COLOR
H	SEPARATOR	1	HIGH TEMP.THERMOPLASTIC UL 94V-0	BLACK
G	MAKE TERMINAL	1	PHOSPHOR BRONZE 0.2t	GOLD FLASH ON CONTACT AREA;
F	TRANSFER TERMINAL	1	PHOSPHOR BRONZE 0.2t	GOLD FLASH ON SOLDER TAIL;
E	TIP	1	PHOSPHOR BRONZE 0.2t	ALL OVER Ni 50 u" Min.
D	RING-A	1	PHOSPHOR BRONZE 0.2t	GOLD FLASH ON CONTACT
C	RING-B	1	PHOSPHOR BRONZE 0.2t	AREA; Matte Sn80u" ON
B	EARTH	1	PHOSPHOR BRONZE 0.2t	SOLDER AREA; ALL OVER
A	BODY	1	HIGH TEMP.THERMOPLASTIC UL 94V-0	50u" Ni.
NO	DESCRIPTION	QTY	MATERIAL	PLATING & COLOR

UNLESS OTHERWISE SPECIFIED TOLERANCES

Singatron Enterprise Co., Ltd.
信音企業股份有限公司

DECIMALS:	ANGLES:	TITLE	Ø3.5 PHONE JACK		
X :±0.5	X :±2°	DWN	Ming	PART NO.2SJ3128-004111F	
X.X :±0.3	X.X :±1°	CHKD	Bruce	SCALE 1:1	UNIT: mm
X.XX :±0.2		APVD	Lussen	SIZE: A3	SHEET:1 OF 1
REV: A					

CUSTOMER COPY