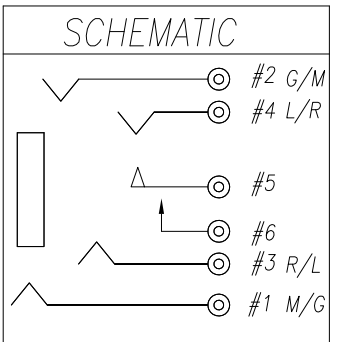
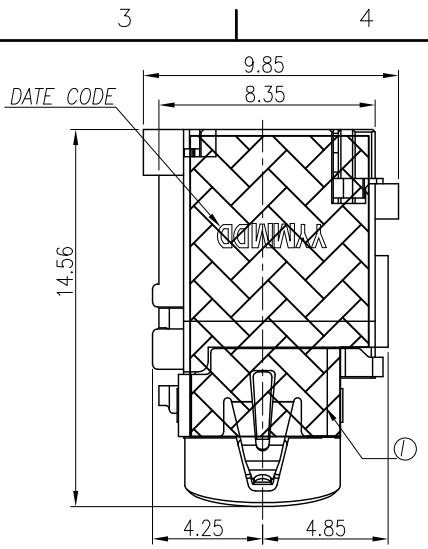
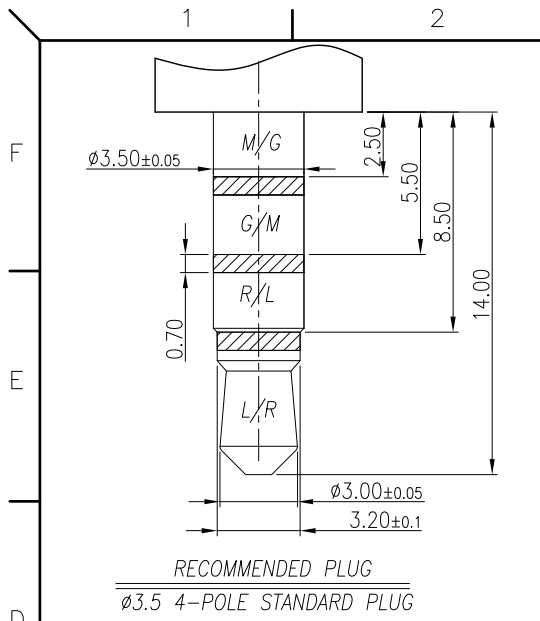
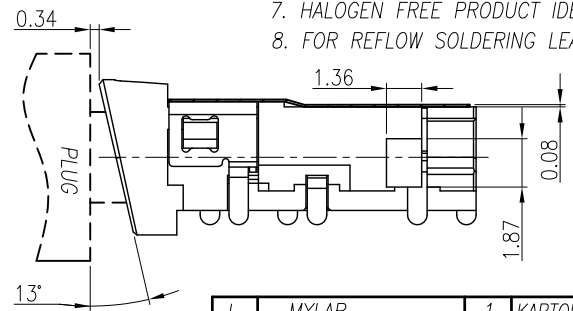
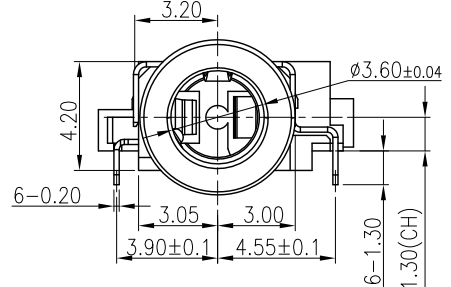
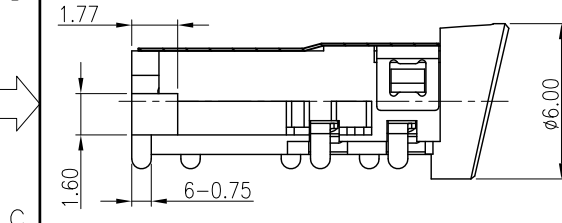


REV.	ECN NO OR DESCRIPTION	REVISED	DATE
A	PDR NO :T140625-3A/B	Owen	2014.11.11

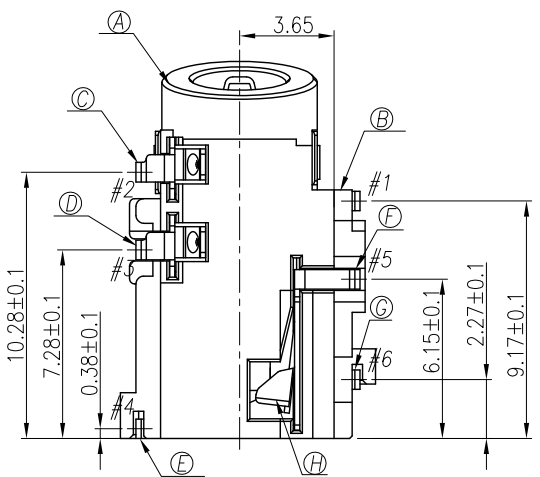
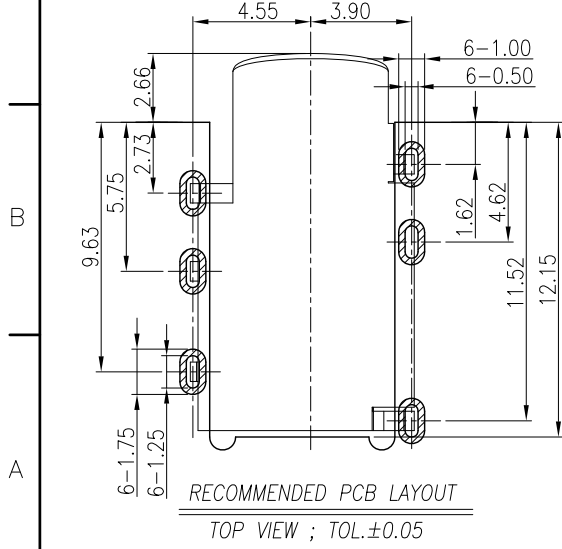


- SPECIFICATIONS:
- ELECTRICAL CHARACTERISTICS:
    - RATING: 12V 1A
    - CONTACT RESISTANCE: 30mΩ MAX.(INITIAL)
    - DIELECTRIC WITHSTANDING VOLTAGE: 500V AC FOR ONE MINUTE.
    - INSULATION RESISTANCE: 100MΩ MIN. MEASURED BY 500 VDC
  - MECHANICAL CHARACTERISTICS:
    - INSERTION FORCE : 0.3~3.0 KGF
    - WITHDRAWAL FORCE : 0.3~3.0 KGF
  - LIFE TEST: 5,000 CYCLES MIN.
  - OTHER GENERAL SPEC. TO REFER "2SJ3128 SERIES SPEC".
  - TO CONFORM TO SINGATRON HAZARDOUS SUBSTANCE FREE SPEC.
  - HALOGEN FREE PRODUCT IDENTIFICATION MARK ON PRODUCT:
  - HALOGEN FREE PRODUCT IDENTIFICATION LOGO ON PACKAGING:
  - FOR REFLOW SOLDERING LEAD-FREE PROCESS.



SEE "TABLE"

PART NO	PLATING
2SJ3128-002111F	GOLD FLASH
2SJ3128-003111F	Au 30u"



NO	DESCRIPTION	QTY	MATERIAL	PLATING & COLOR
I	MYLAR	1	KAPTON T=0.1	YELLOW
H	SEPARATOR	1	HIGH TEMP.THERMOPLASTIC UL 94V-0	BLACK
G	MAKE TERMINAL	1	PHOSPHOR BRONZE 0.2t	GOLD FLASH ON CONTACT AREA, GOLD FLASH ON SOLDER TAIL; ALL OVER Ni 50 u" Min.
F	TRANSFER TERMINAL	1	PHOSPHOR BRONZE 0.2t	
E	TIP	1	PHOSPHOR BRONZE 0.2t	SEE "TABLE" ON CONTACT AREA; Matte Sn80u" ON SOLDER AREA; ALL OVER 50u" Ni.
D	RING-A	1	PHOSPHOR BRONZE 0.2t	
C	RING-B	1	PHOSPHOR BRONZE 0.2t	
B	EARTH	1	PHOSPHOR BRONZE 0.2t	
A	BODY	1	HIGH TEMP.THERMOPLASTIC UL 94V-0	BLACK
NO	DESCRIPTION	QTY	MATERIAL	PLATING & COLOR
UNLESS OTHERWISE SPECIFIED TOLERANCES				
Singatron Enterprise Co., Ltd. 信音企業股份有限公司				
DECIMALS: ANGLES: TITLE				
X	:±0.5	X	:±2°	DWN Owen PART NO.2SJ3128-00X111F
X.X	:±0.3	X.X	:±1°	CHKD Bruce SCALE 1:1 UNIT: mm
X.XX	:±0.2			APVD Lussen SIZE: A3 SHEET:1 OF 1 REV: A
<b>CUSTOMER COPY</b>				