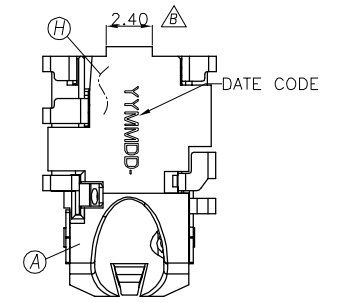
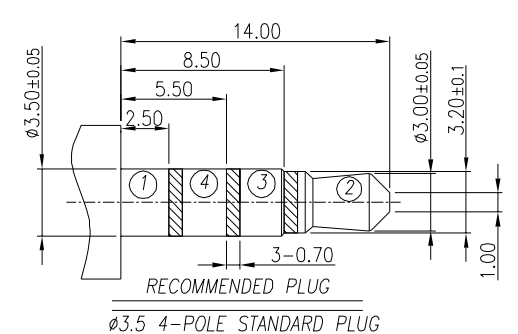
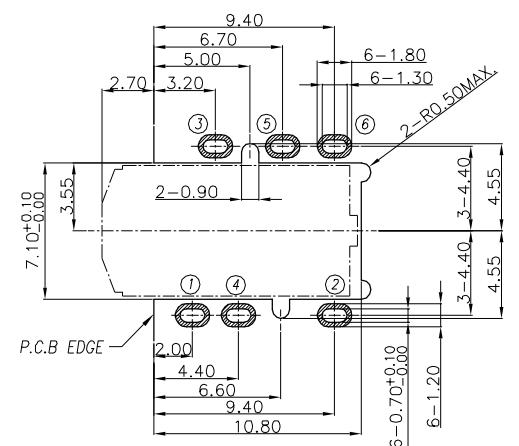
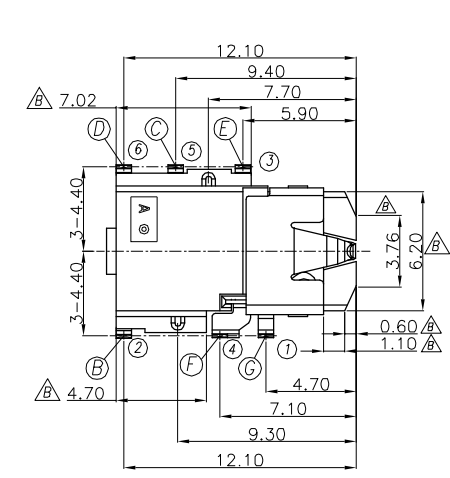
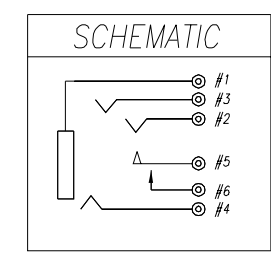
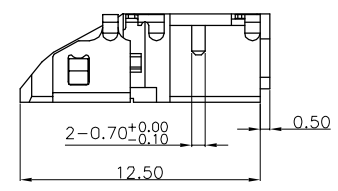
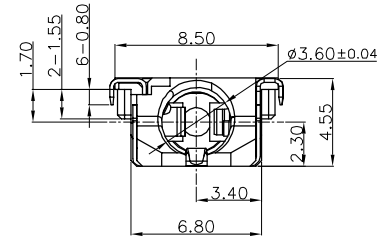
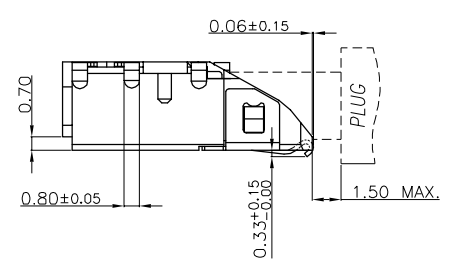


REV.	ECN NO OR DESCRIPTION	REVISED	DATE
A	PDR NO: T140113-12A	Feng	2015.04.24
B	ECN NO: S170106-C	JIE-FU	2017.01.04



- SPECIFICATIONS:
- ELECTRICAL CHARACTERISTICS:
    - 1-1. RATING: 12V 1A
    - 1-2. CONTACT RESISTANCE: 50mΩ MAX.(INITIAL)
    - 1-3. DIELECTRIC WITHSTANDING VOLTAGE: 500V AC FOR ONE MINUTE.
    - 1-4. INSULATION RESISTANCE: 100MΩ MIN. MEASURED BY 500V DC
  - MECHANICAL CHARACTERISTICS:
    - 2-1. INSERTION FORCE : 0.3~3.0 KGF
    - 2-2. WITHDRAWAL FORCE : 0.3~3.0 KGF
  - LIFE TEST: 5,000 CYCLES
  - AFTER LIFE TEST, CONTACT RESISTANCE: 60mΩ MAX.
  - AFTER HUMIDITY TEST, INSULATION RESISTANCE: 50MΩ MIN.
  - TO CONFORM TO SINGATRON HAZARDOUS SUBSTANCE FREE SPEC.
  - HALOGEN FREE PRODUCT IDENTIFICATION MARK ON PRODUCT: Ⓢ
  - HALOGEN FREE PRODUCT IDENTIFICATION LOGO ON PACKAGING: ♻️



RECOMMENDED PCB LAYOUT(TOP VIEW)  
(TOLERANCE: ±0.05)

H	SEPARATOR	1	LCP+30%GF, UL 94V-0	BLACK
G	EARTH	1	C5210-EH 0.2T	GOLD FLASH ON CONTACT AREA; GOLD FLASH ON SOLDER TAIL AREA; ALL OVER NI 30u" PLATING.
F	RING-B	1	C5210-EH 0.2T	
E	RING-A	1	C5210-EH 0.2T	
D	MAKE	1	C5210-EH 0.2T	
C	TRANSFER	1	C5210-EH 0.2T	
B	TIP	1	SUS304-1/2H 0.2T	
A	BODY	1	PA4T+30%GF(TX1) UL 94V-0	BLACK
NO	DESCRIPTION	QTY	MATERIAL	PLATING & COLOR
UNLESS OTHERWISE SPECIFIED TOLERANCES:		Singatron Enterprise Co., Ltd. 信音企業股份有限公司		
DECIMALS:	ANGLES:	TITLE: Ø3.50 AUDIO JACK		
X : ±0.5	X : ±2°	DWN	JIE-FU	PART NO. 2SJ3129-000111F
X.X : ±0.3	X.X : ±1°	CHKD	CERRY	SCALE:4:1 UNIT: mm
X.XX : ±0.2		APVD	LUSSEN	SIZE: A3 SHEET:1 OF 1 REV: B
CUSTOMER COPY				