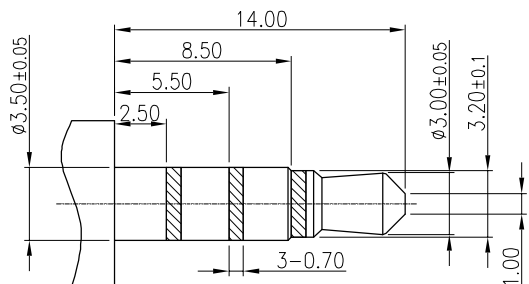


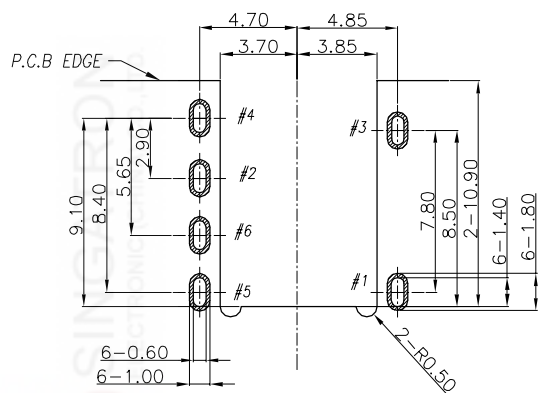
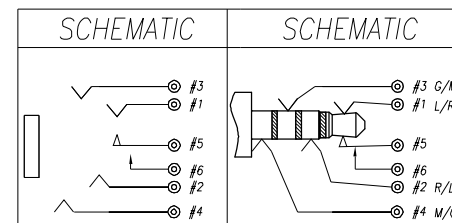
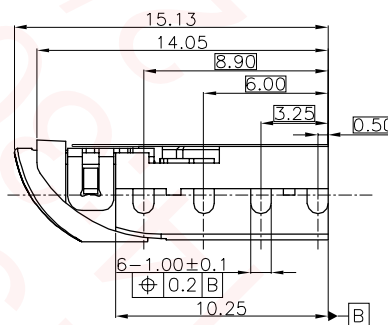
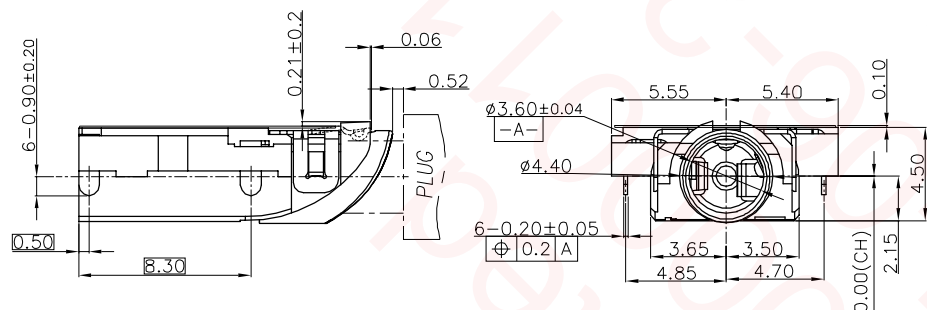
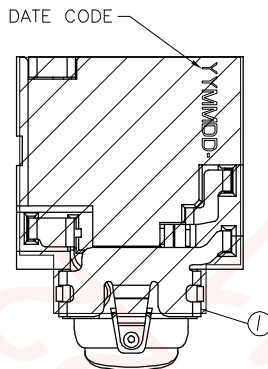
REV.	ECN NO OR DESCRIPTION	REVISED	DATE
A	PDR NO.: T141226-1A	Ming	2015.06.10

SPECIFICATIONS:

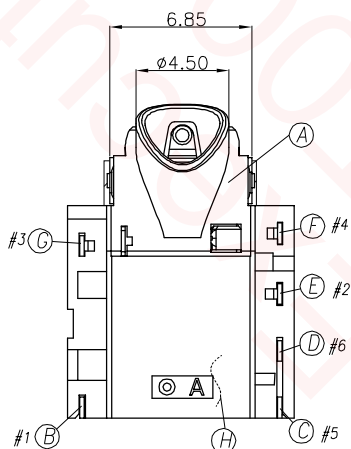
- ELECTRICAL CHARACTERISTICS:
 - RATING: 12V 1A
 - CONTACT RESISTANCE: 50mΩ MAX.(INITIAL)
 - DIELECTRIC WITHSTANDING VOLTAGE: 500V AC FOR ONE MINUTE.
 - INSULATION RESISTANCE: 100MΩ MIN. MEASURED BY 500V DC
- MECHANICAL CHARACTERISTICS:
 - INSERTION FORCE : 0.3~3.0 KGF
 - WITHDRAWAL FORCE : 0.3~3.0 KGF
 - LIFE TEST: 5,000 CYCLES
 - AFTER LIFE TEST, CONTACT RESISTANCE: 60mΩ MAX.
 - AFTER HUMIDITY TEST, INSULATION RESISTANCE: 50MΩ MIN.
 - TO CONFORM TO SINGATRON HAZARDOUS SUBSTANCE FREE SPEC.
 - HALOGEN FREE PRODUCT IDENTIFICATION MARK ON PRODUCT:
 - HALOGEN FREE PRODUCT IDENTIFICATION LOGO ON PACKAGING:
 - AFTER OVERLOAD TEST, THE HOUSING'S STRENGTH IS <4.0kg



RECOMMENDED PLUG
Ø3.5 4-POLE STANDARD PLUG



RECOMMENDED PCB LAYOUT(TOP VIEW),T=1.20mm
(TOLERANCE: ±0.05)



I	MYLAR	1	KAPTON+SILICON GLUE	YELLOW
H	SEPARATOR	1	LCP E130i (全新材料)	BLACK
G	RING-B	1	CH5210-EH 0.2t	GOLD FLASH ON CONTACT AREA; Matte Sn80u* ON SOLDER AREA; ALL OVER NI 50u* PLATING.
F	EARTH	1	CH5210-EH 0.2t	GOLD FLASH ON CONTACT AREA; GOLD FLASH ON SOLDER TAIL AREA; ALL OVER NI 50u* PLATING.
E	RING-A	1	CH5210-EH 0.2t	
D	MAKE	1	CH5210-EH 0.2t	
C	TRANSFER	1	CH5210-EH 0.2t	
B	TIP	1	CH5210-EH 0.2t	
A	BODY	1	PA4T+30%GF UL94V-0(無鹵)	BLACK

NO	DESCRIPTION	QTY	MATERIAL	PLATING & COLOR
UNLESS OTHERWISE SPECIFIED TOLERANCES			Singatron Enterprise Co., Ltd. 信音企業股份有限公司	
DECIMALS:		ANGLES:		TITLE
X : ±0.5		X : ±2°		Ø3.50 AUDIO JACK
X.X : ±0.3		X.X : ±1°		DWN Ming
X.XX : ±0.2				CHKD Bruce
				APVD Lussen
PART NO. 2SJ3132-003111F SCALE:4:1 UNIT: mm SIZE: A3 SHEET:1 OF 1 REV: A				
CUSTOMER COPY				