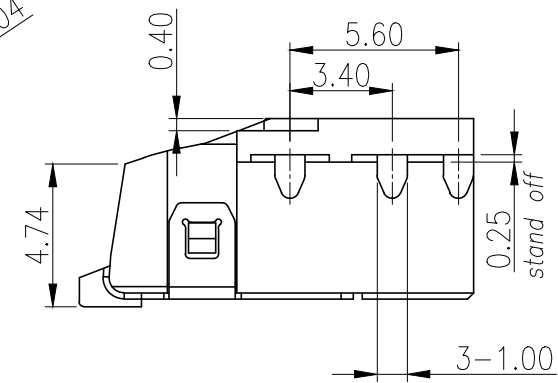
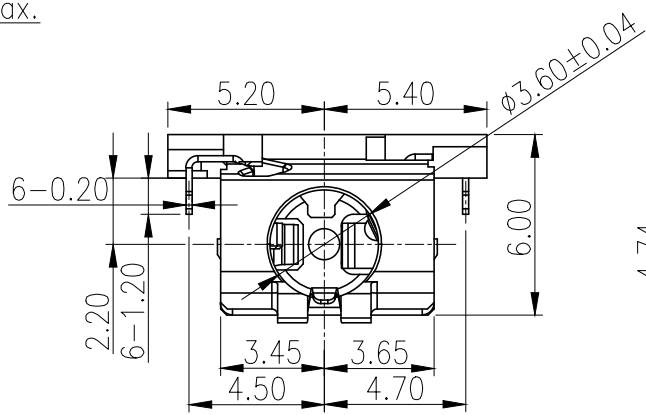
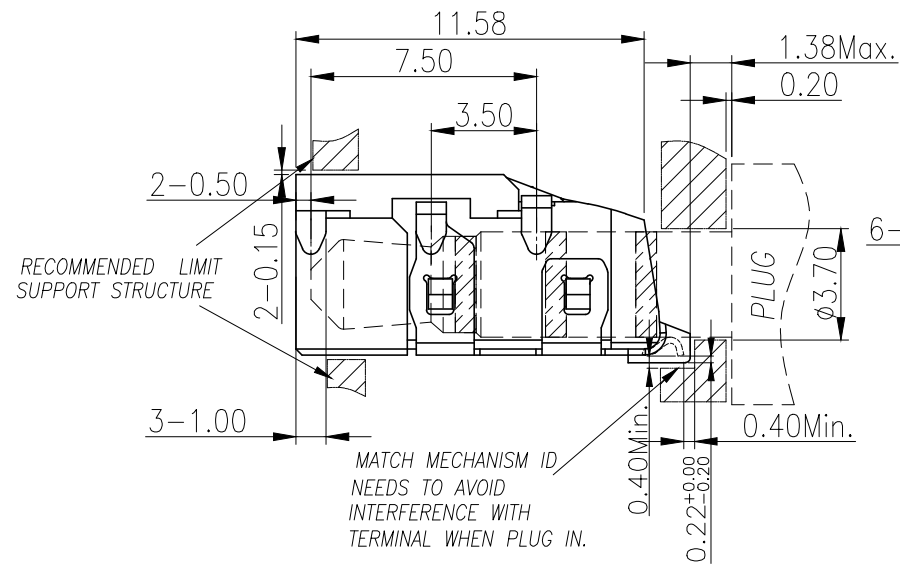
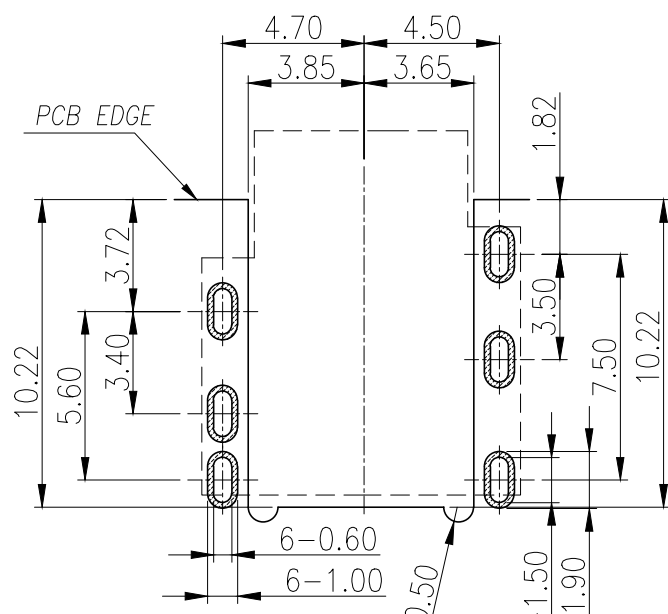


REV.	ECN NO OR DESCRIPTION	REVISED	DATE
A	PDR NO.: T170329-6A	Steven	2018.03.28

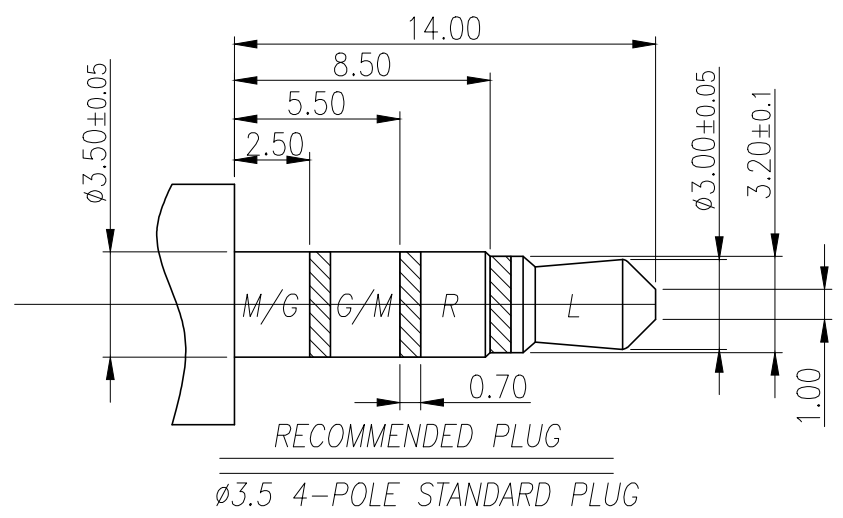
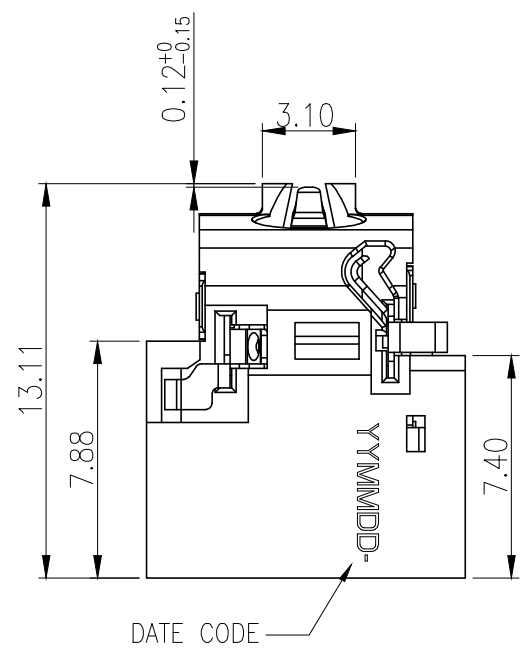
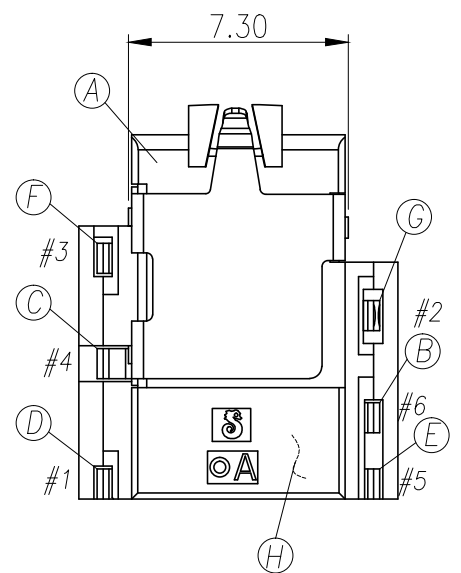


SPECIFICATIONS:

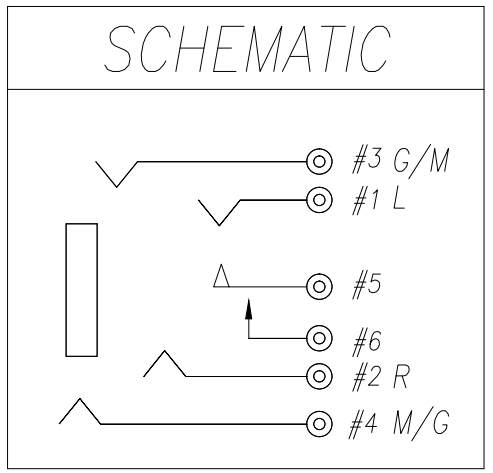
- ELECTRICAL CHARACTERISTICS:
  - RATING: 12V 1A
  - CONTACT RESISTANCE: 50mΩ MAX.(INITIAL)
  - DIELECTRIC WITHSTANDING VOLTAGE: 500V AC FOR ONE MINUTE.
  - INSULATION RESISTANCE: 100MΩ MIN. MEASURED BY 500 VDC.
- MECHANICAL CHARACTERISTICS:
  - INSERTION FORCE: INITIAL 0.3-3.0Kgf;
  - WITHDRAWAL FORCE: INITIAL 0.3-3.0Kgf;
- LIFE TEST: 5,000 CYCLES MIN.  
AFTER LIFE TEST, CONTACT RESISTANCE: 100mΩ MAX.
- PACKAGING : TAPE & REEL.
- AFTER HUMIDITY TEST, INSULATION RESISTANCE: 50MΩ MIN.
- TO CONFORM TO SINGATRON HAZARDOUS SUBSTANCE FREE SPEC.
- HALOGEN FREE PRODUCT IDENTIFICATION MARK ON PRODUCT:
- HALOGEN FREE PRODUCT IDENTIFICATION LOGO ON PACKAGING:
- FOR REFLOW SOLDERING LEAD-FREE PROCESS.
- PRINTED DATE CODE "YYMMDD=" ON TOP OF CONNECTOR.



RECOMMENDED PCB LAYOUT(TOP VIEW)  
(TOLERANCE: ±0.05)



RECOMMENDED PLUG  
3.5 4-POLE STANDARD PLUG



H	SEPARATOR	1	HIGH TEMP.THERMOPLASTIC UL 94V-0	BLACK
G	RING-A	1	PHOSPHOR BRONZE 0.2t	GOLD FLASH ON CONTACT AREA; MATTE-TIN 80u" ON SOLDER TAIL AREA; ALL OVER NI 50u" PLATING.
F	RING-B	1	PHOSPHOR BRONZE 0.2t	
E	TRANSFER	1	PHOSPHOR BRONZE 0.2t	
D	TIP	1	PHOSPHOR BRONZE 0.2t	GOLD FLASH ON CONTACT AREA; GOLD FLASH ON SOLDER TAIL AREA; ALL OVER NI 50u" PLATING.
C	EARTH	1	PHOSPHOR BRONZE 0.2t	
B	MAKE	1	PHOSPHOR BRONZE 0.2t	
A	BODY	1	HIGH TEMP.THERMOPLASTIC UL 94V-0	BLACK

NO	DESCRIPTION	QTY	MATERIAL	PLATING & COLOR
UNLESS OTHERWISE SPECIFIED TOLERANCES		Singatron Enterprise Co., Ltd. 信音企業股份有限公司		
DECIMALS:		ANGLES:	TITLE	
X	:±0.5	X	:±2°	DWN Steven
X.X	:±0.3	X.X	:±1°	CHKD Bruce
X.XX	:±0.2			APVD Liao
		SCALE: 4:1		UNIT: mm
		SIZE: A3		SHEET: 1 OF 1
		REV: A		

CUSTOMER COPY