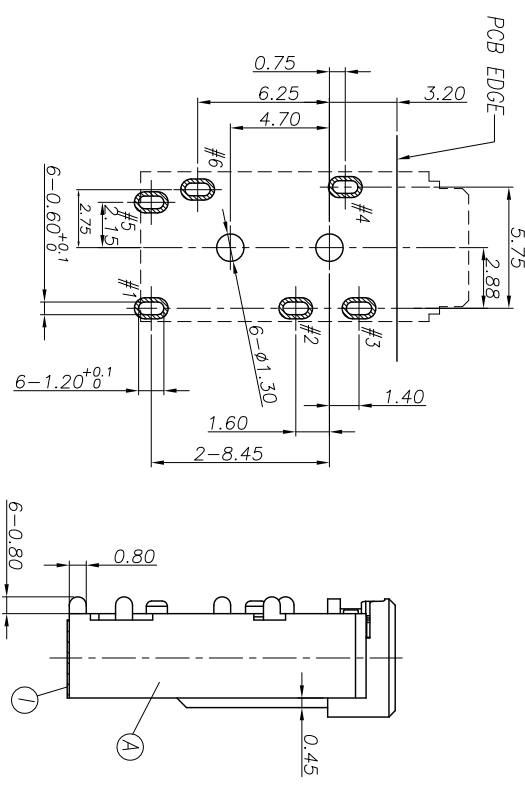
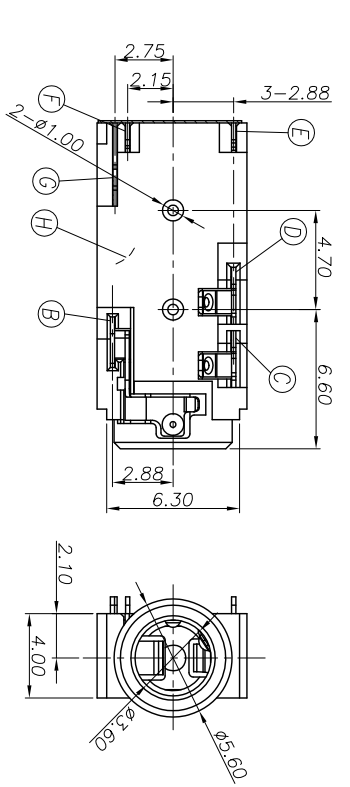
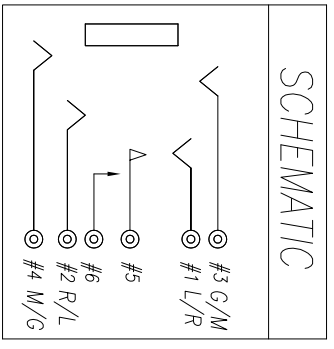
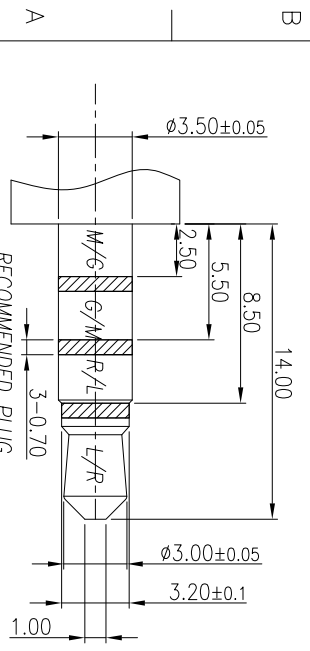
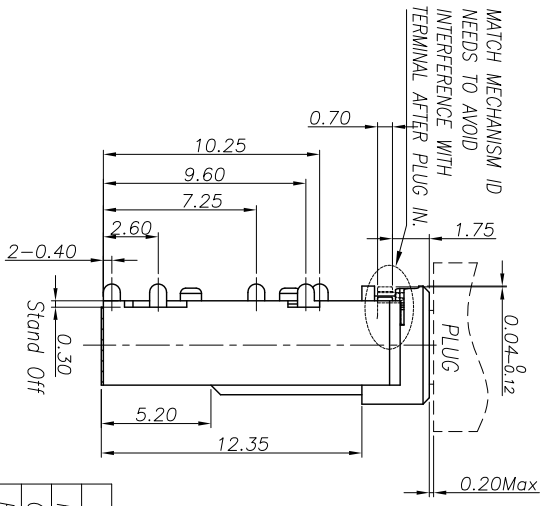
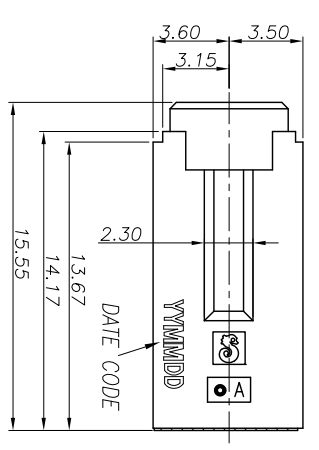


| REV. ECN NO OR DESCRIPTION | REVISED | DATE |
|----------------------------|---------|------------|
| A PDR NO: T140520-3A | Kevin | 2014.10.21 |

- SPECIFICATIONS:
- ELECTRICAL CHARACTERISTICS:
 - 1-1. RATING: 12V 1A
 - 1-2. CONTACT RESISTANCE: 50mΩ MAX.(INITIAL)
 - 1-3. DIELECTRIC WITHSTANDING VOLTAGE: 500V AC FOR ONE MINUTE.
 - 1-4. INSULATION RESISTANCE: 100MΩ MIN. MEASURED BY 500V DC
 - MECHANICAL CHARACTERISTICS:
 - 2-1. INSERTION FORCE : 0.3~3.0 KGF
 - 2-2. WITHDRAWAL FORCE : 0.3~3.0 KGF
 - LIFE TEST: 5,000 CYCLES MIN.
 - OTHER GENERAL SPEC. TO REFER "2SJ3139 SERIES SPEC."
 - TO CONFORM TO SINGATRON HAZARDOUS SUBSTANCE FREE SPEC.
 - HALOGEN FREE PRODUCT IDENTIFICATION MARK ON PRODUCT:
 - HALOGEN FREE PRODUCT IDENTIFICATION LOGO ON PACKAGING:
 - FOR REFLOW SOLDERING LEAD-FREE PROCESS.



RECOMMENDED PCB LAYOUT
TOP VIEW ; TOL.±0.05



SCHMATIC

| NO | DESCRIPTION | QTY | MATERIAL | PLATING & COLOR |
|----|-------------------|-----|--------------------------|--|
| I | MYLAR | 1 | KAPTON 0.10T | YELLOW |
| H | SEPARATOR | 1 | LCP+30%GF(E130),UL 94V-0 | BLACK |
| G | MAKE TERMINAL | 1 | PHOSPHOR BRONZE 0.2t | GOLD FLASH ON CONTACT AREA |
| F | TRANSFER TERMINAL | 1 | PHOSPHOR BRONZE 0.2t | GOLD FLASH ON SOLDER AREA ALL OVER 500 °K |
| E | TIP SPRING | 1 | PHOSPHOR BRONZE 0.2t | |
| D | RING A | 1 | PHOSPHOR BRONZE 0.2t | GOLD FLASH ON CONTACT AREA |
| C | RING B | 1 | PHOSPHOR BRONZE 0.2t | Matte In 200 °K ON SOLDER AREA ALL OVER 500 °K |
| B | EARTH | 1 | PHOSPHOR BRONZE 0.2t | |
| A | BODY | 1 | PA4T+30%GF(TX1),UL 94V-0 | BLACK |
| NO | DESCRIPTION | QTY | MATERIAL | PLATING & COLOR |

UNLESS OTHERWISE SPECIFIED TOLERANCES

Singatron Enterprise Co., Ltd.
信音企業股份有限公司

| DECIMALS: | ANGLES: | TITLE |
|-------------|-----------|------------------|
| X : ±0.5 | X : ±2° | 03.50 AUDIO JACK |
| X.X : ±0.3 | X.X : ±1° | DWN Kevin |
| X.XX : ±0.2 | | CHKD Bruce |
| | | APVD Lussen |

PART NO.2SJ3139-000111F
SCALE 4:1 UNIT: mm
SIZE: A3 SHEET: 1 OF 1 REV: A

CUSTOMER COPY