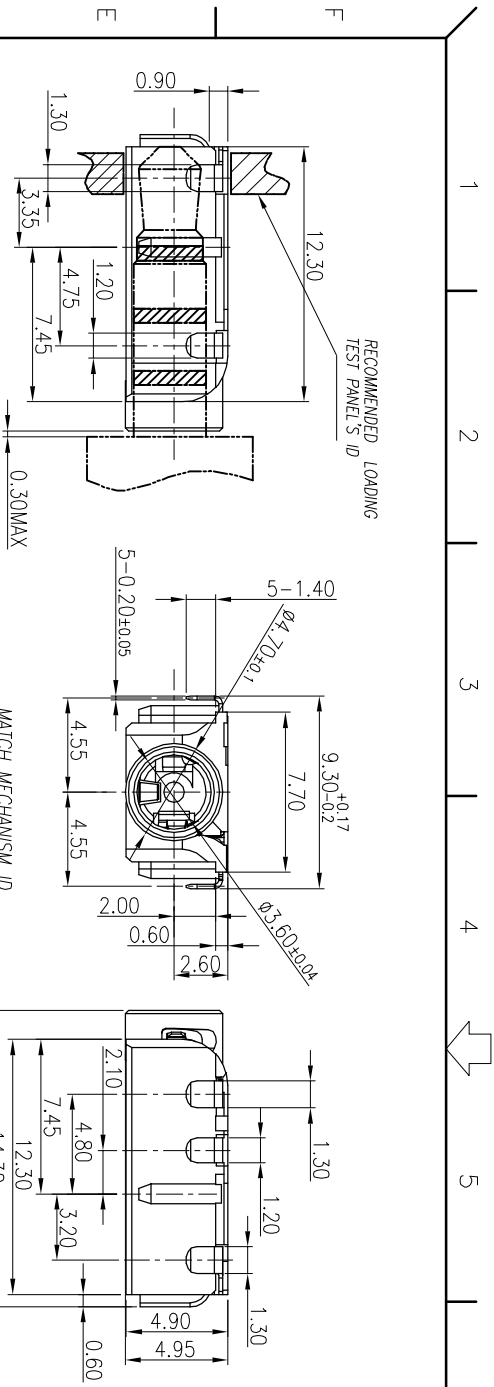


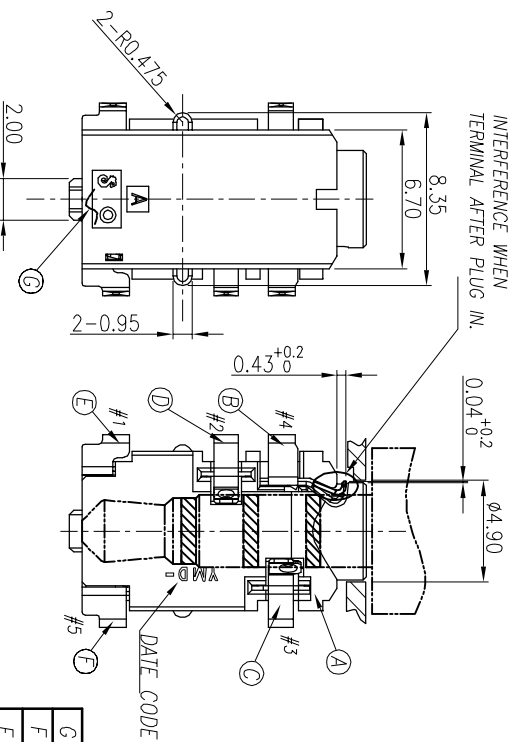
REV	ECN NO	OR DESCRIPTION	REVISED	DATE
A	PDR NO: S180622-3A		Peng	2018.12.06



MATCH MECHANISM ID NEEDS TO AVOID INTERFERENCE WHEN TERMINAL AFTER PLUG IN.

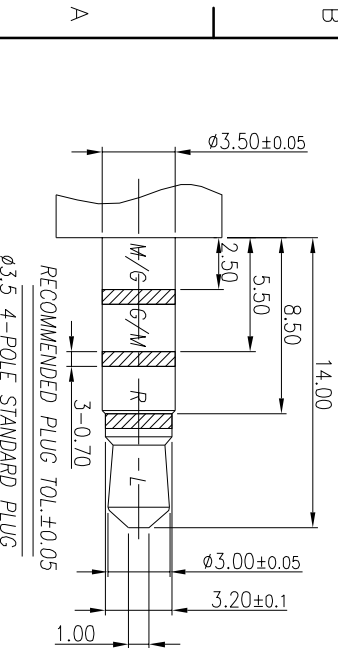
SPECIFICATIONS:

- 1. ELECTRICAL CHARACTERISTICS:**
- 1-1. RATING: 12V 1A
 - 1-2. CONTACT RESISTANCE: 50mΩ MAX.(INITIAL)
 - 1-3. DIELECTRIC WITHSTANDING VOLTAGE: 500V AC FOR ONE MINUTE.
 - 1-4. INSULATION RESISTANCE: 100MΩ MIN. MEASURED BY 500 VDC.
- 2. MECHANICAL CHARACTERISTICS:**
- 2-1. INSERTION FORCE: INITIAL 0.7-2.0kgf(TEST PLUG $\phi 2.98mm \pm 0.02$);
 - 2-2. WITHDRAWAL FORCE: INITIAL 0.7-2.5kgf(TEST PLUG $\phi 2.98mm \pm 0.02$);
- 3. LIFE TEST: 10,000 CYCLES MIN.**
- AFTER LIFE TEST, CONTACT RESISTANCE: 100mΩ MAX.**
- 4. PACKAGING : TAPE & REEL.
 - 5. AFTER HUMIDITY TEST, INSULATION RESISTANCE: 50MΩ MIN.
 - 6. TO CONFORM TO SINGATRON HAZARDOUS SUBSTANCE FREE SPEC.
 - 7. HALOGEN FREE PRODUCT IDENTIFICATION MARK ON PRODUCT.
 - 8. HALOGEN FREE PRODUCT IDENTIFICATION LOGO ON PACKAGING.
 - 9. FOR LEAD-FREE PROCESS.
 - 10. PRINTED DATE CODE "MMDD=" ON TOP OF CONNECTOR.



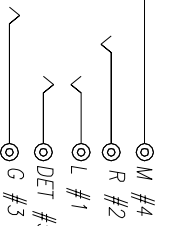
DATE CODE

RECOMMENDED PCB LAYOUT
TOP VIEW ; TOL: ±0.05



RECOMMENDED PLUG TOL: ±0.05
Ø3.5 4-POLE STANDARD PLUG

SCHEMATIC



G	DUMMY PIN	1	SUS 304 1/2H 0.20t	500" Wt Min.
F	DET	1	PHOSPHOR BRONZE 0.2t	
E	TIP	1	SUS 304 1/2H 0.20t	At 20" Min ON CONTACT AREA
D	RING	1	PHOSPHOR BRONZE 0.2t	At 20" Min ON SOLDER AREA
C	GROUND	1	PHOSPHOR BRONZE 0.2t	ALL OVER 500" Wt
B	MIC	1	PHOSPHOR BRONZE 0.2t	
A	BODY	1	HIGH TEMP.THERMOPLASTIC UL 94V-0	BLACK
	NO DESCRIPTION	QTY	MATERIAL	PLATING & COLOR
Singatron Enterprise Co., Ltd. 信亨企業股份有限公司				
UNLESS OTHERWISE SPECIFIED TOLERANCES				
DECIMALS: ANGLES:				
X	:±0.1	X	:±2°	
X.X	:±0.1	X.X	:±1°	
X.XX	:±0.1			
TITLE		3.5Ø AUDIO JACK		
DWN	Peng	PART NO.	2S13151-002111F	
CHKD	Bruce	SCALE	4:1 UNIT: mm	
APVD	Liao	SIZE: A3	SHEET: 1 OF 1	REV: A
CUSTOMER COPY				