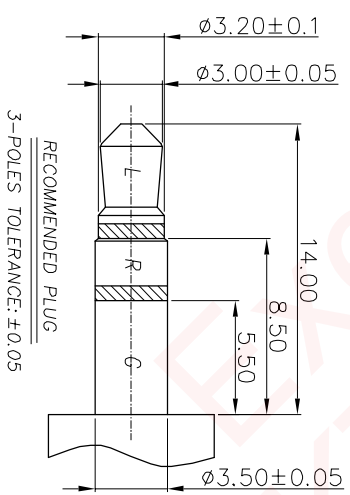
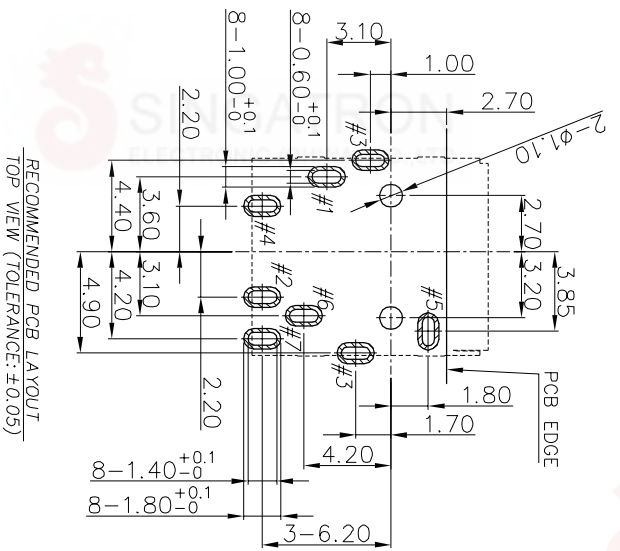
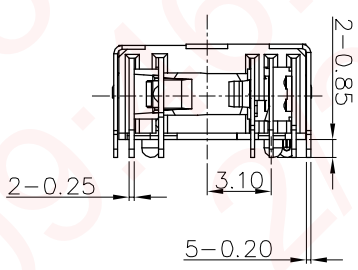
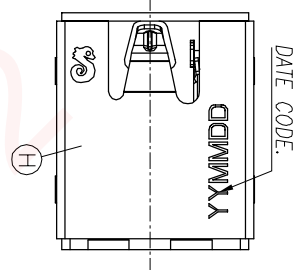
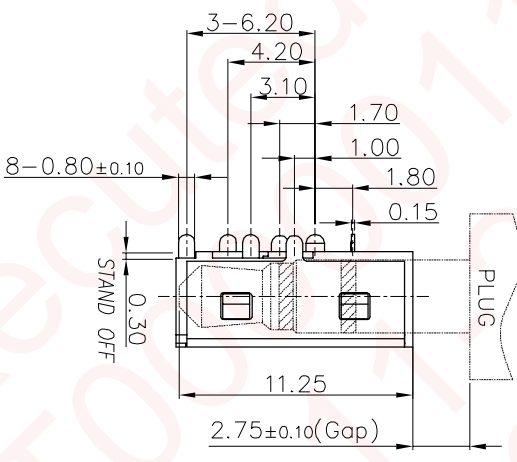
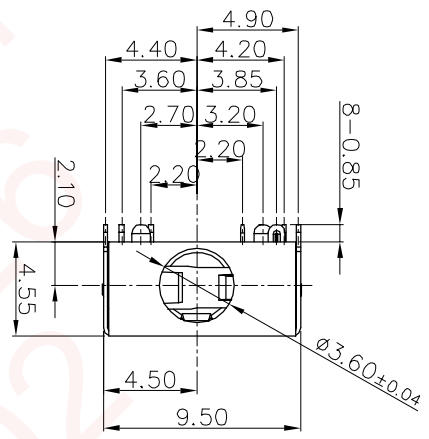
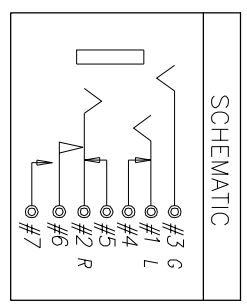
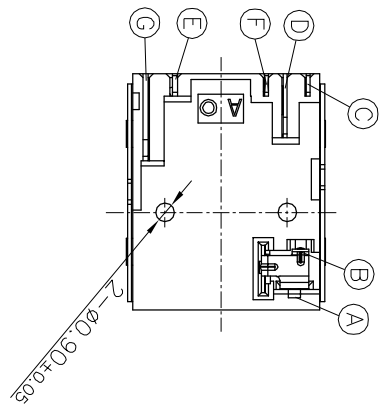


REV	ECN NO OR DESCRIPTION	REVISED	DATE
A	PDR NO. T150904-3A	Ming	2015.09.06



- SPECIFICATIONS:**
- ELECTRICAL CHARACTERISTICS:**
    - 1-1. RATING: 12V 1A
    - 1-2. CONTACT RESISTANCE: 50mΩ MAX.(INITIAL)
    - 1-3. DIELECTRIC WITHSTANDING VOLTAGE: 250V AC FOR ONE MINUTE.
    - 1-4. INSULATION RESISTANCE: 100MΩ MIN. MEASURED BY 500V DC
  - MECHANICAL CHARACTERISTICS:**
    - 2-1. INSERTION FORCE : 0.3~3.0 KGF
    - 2-2. WITHDRAWAL FORCE : 0.3~3.0 KGF
  - LIFE TEST: 5,000 CYCLES MIN.
  - OTHER GENERAL SPEC. TO REFER "2SJ3155 SERIES SPEC."
  - TO CONFORM TO SINGARON HAZARDOUS SUBSTANCE FREE SPEC.
  - HALOGEN FREE PRODUCT IDENTIFICATION MARK ON PRODUCT:
  - HALOGEN FREE PRODUCT IDENTIFICATION LOGO ON PACKAGING:
  - FOR REFLOW SOLDERING LEAD-FREE PROCESS.

NO	DESCRIPTION	QTY	MATERIAL	PLATING & COLOR
H	SHELL	1	C5191-H 0.2t	Au 30u" ON CONTACT AREA ALL OVER NI 50u"
G	TIP SPRING	1	C5210-EH 0.25t	Au 30u" ON CONTACT AREA GOLD FLASH ON TERMINAL
F	RING SPRING	1	C2680-H 0.25t	ALL OVER NI 50u"
E	SHUNT TERMINAL-A	1	C5210-EH 0.2t	
D	TRANSFER TERMINAL	1	C5210-SH 0.2t	
C	MAKE TERMINAL	1	C5191-H 0.2t	GOLD FLASH ON CONTACT AREA AND SOLDER AREA; ALL OVER NI 50u"
B	SHUNT TERMINAL-B	1	C5210-EH 0.15t	
A	BODY	1	LCP+30%U94V-0	BLACK

UNLESS OTHERWISE SPECIFIED TOLERANCES

Singatron Enterprise Co., Ltd.  
信登企業股份有限公司

**3.5φ PHONE JACK**

DWN Ming PART NO.2S3155-001111F  
CHKD Bruce SCALE:4:1 UNIT: mm  
APVD Lussen SIZE: A3 SHEET:1 OF 1 REV: A

RECOMMENDED PCB LAYOUT  
TOP VIEW (TOLERANCE:±0.05)

RECOMMENDED PLUG  
3-POLES TOLERANCE:±0.05

CUSTOMER COPY