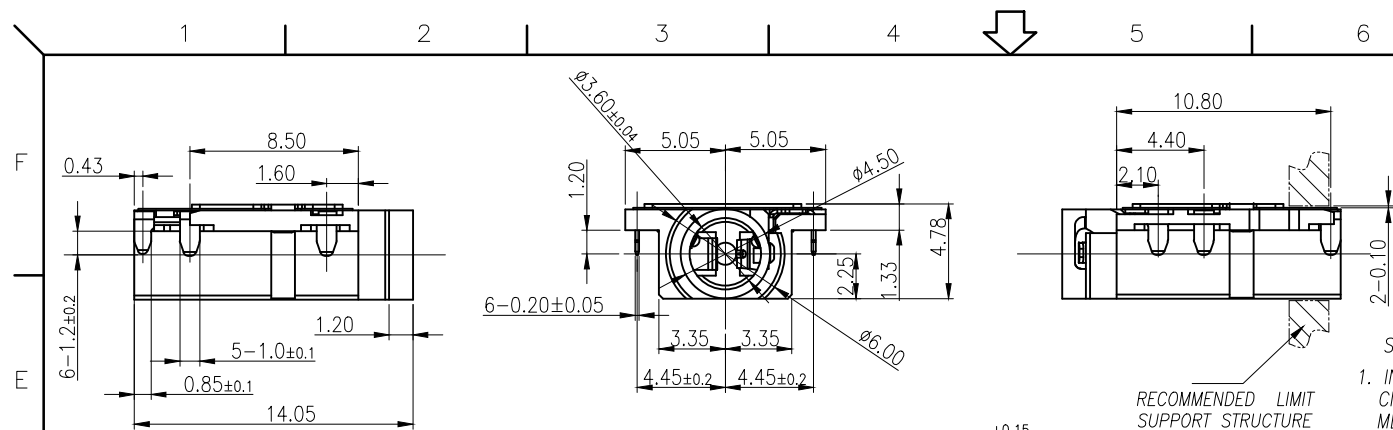
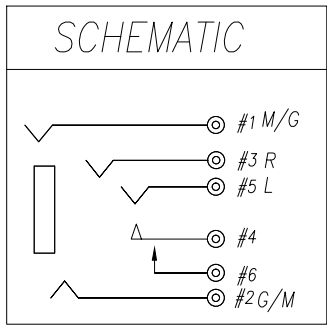
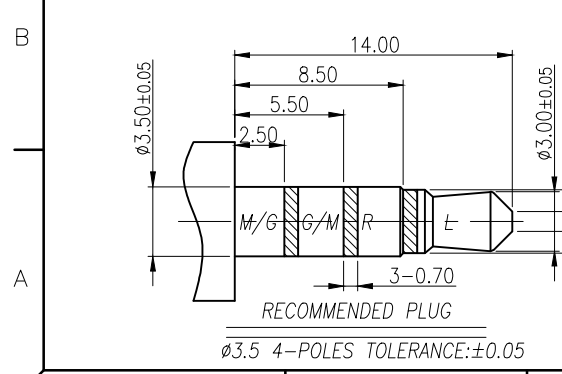
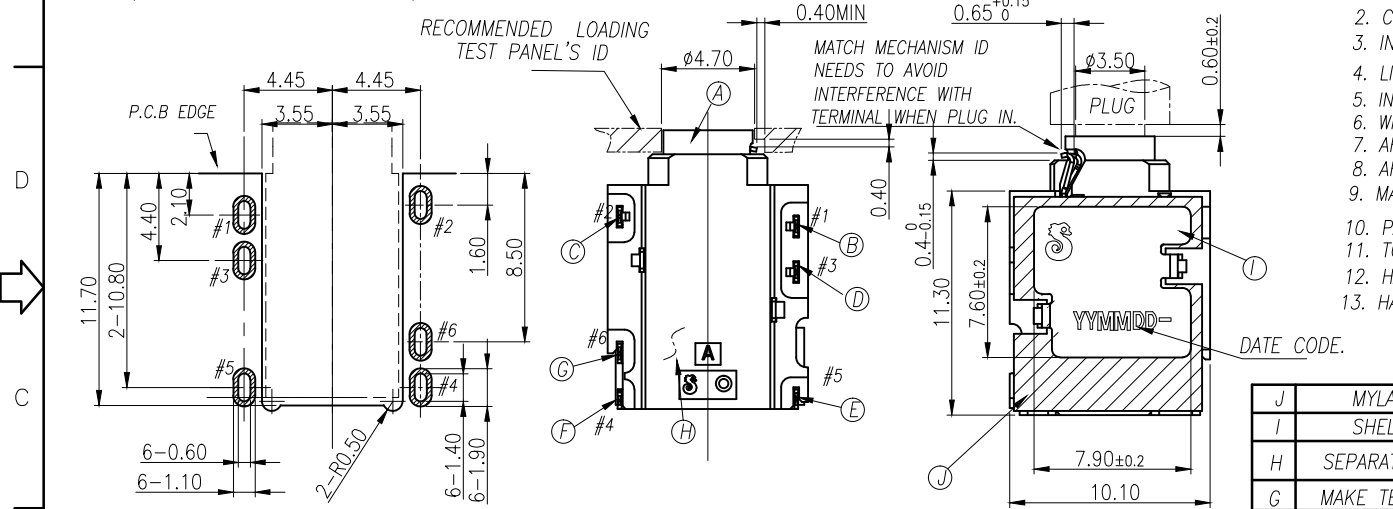


| | | | |
|------|-----------------------|---------|------------|
| REV. | ECN NO OR DESCRIPTION | REVISED | DATE |
| A | PDR NO: T170922-1A | XINZHI | 2018.02.07 |



SPECIFICATIONS:

- INSULATION RESISTANCE BETWEEN ANY ADJACENT OPEN CIRCUIT TERMINAL SHELL NOT BE LESS THAN 100MΩ MEASURED BY 500V DC .
- CONTACT RESISTANCE: 50mΩ MAX(INITIAL).
- INSULATION VOLTAGE WITHSTAND:500V AC FOR ONE MINUTE.
- LIFE TEST: 5,000 CYCLES MIN.
- INSERTION FORCE: 0.4-2.0 Kgf ,
- WITHDRAWAL FORCE: 0.4-2.0 Kgf,
- AFTER LIFE TEST, CONTACT RESISTANCE: 100mΩ MAX.
- AFTER HUMIDITY TEST, INSULATION RESISTANCE: 50MΩ MIN.
- MARKING: MARK "S" ON TOP OF CONNECTOR.
- PACKING : TAPE & REEL.
- TO CONFORM TO SINGATRON HAZARDOUS SUBSTANCE FREE SPEC.
- HALOGEN FREE PRODUCT IDENTIFICATION MARK ON PRODUCT:
- HALOGEN FREE PRODUCT IDENTIFICATION LOGO ON PACKAGING:



| J | Mylar | 1 | 0.08 t | YELLOW |
|----|-------------------|-----|----------------------------------|--|
| I | SHELL | 1 | SUS 0.2t | |
| H | SEPARATOR | 1 | HIGH TEMP.THERMOPLASTIC UL 94V-0 | BLACK |
| G | MAKE TERMINAL | 1 | PHOSPHOR BRONZE 0.2t | GOLD FLASH ON CONTACT AREA; GOLD FLASH ON SOLDER AREA; ALL OVER 50µ" Ni. |
| F | TRANSFER TERMINAL | 1 | PHOSPHOR BRONZE 0.2t | |
| E | TIP SPRING | 1 | SUS 0.2t | |
| D | RING A | 1 | PHOSPHOR BRONZE 0.2t | |
| C | RING B | 1 | PHOSPHOR BRONZE 0.2t | |
| B | EARTH | 1 | PHOSPHOR BRONZE 0.2t | |
| A | BODY | 1 | HIGH TEMP.THERMOPLASTIC UL 94V-0 | BLACK |
| NO | DESCRIPTION | QTY | MATERIAL | PLATING & COLOR |

| | | | |
|---------------------------------------|----------|--|--------|
| UNLESS OTHERWISE SPECIFIED TOLERANCES | | Singatron Enterprise Co., Ltd. 信音企業股份有限公司 | |
| DECIMALS: | ANGLES: | TITLE | |
| X :±0.5 | X :±2° | 3.5Ø PHONE JACK | |
| X.X :±0.3 | X.X :±1° | DWN | XINZHI |
| X.XX :±0.2 | | CHKD | Bruce |
| | | APVD | Lussen |
| | | PART NO. 2SJ3156-001111F | |
| | | SCALE | 4:1 |
| | | UNIT: | mm |
| | | SIZE: | A3 |
| | | SHEET: | 1 OF 1 |
| | | REV: | A |
| CUSTOMER COPY | | | |