

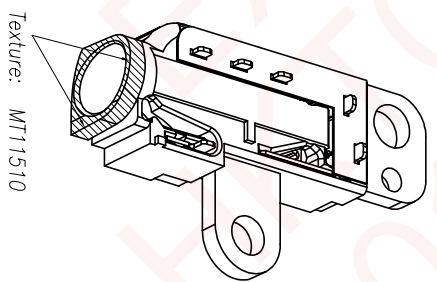
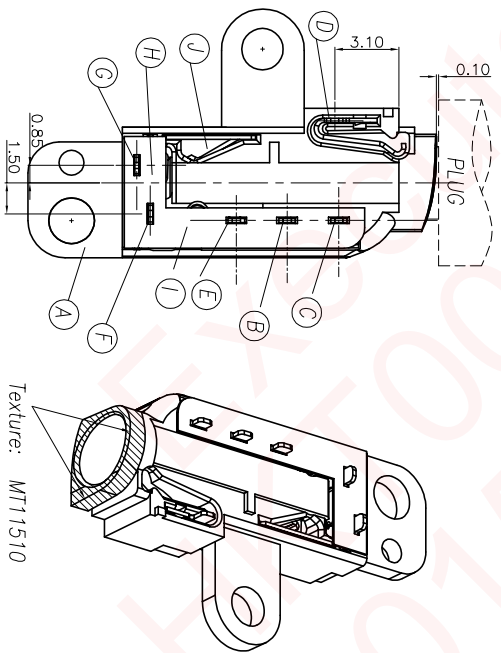
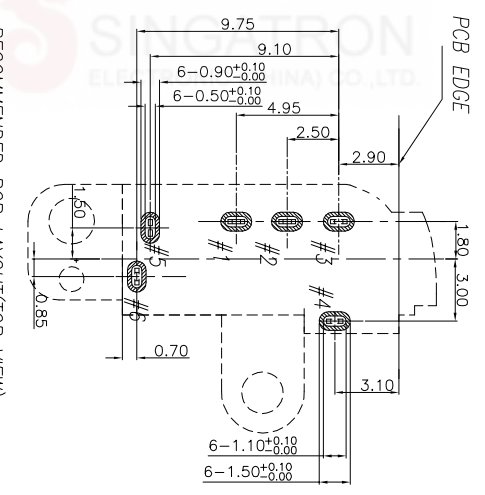
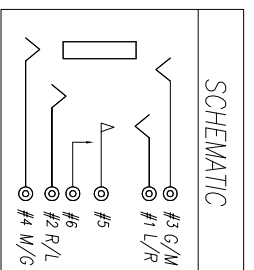
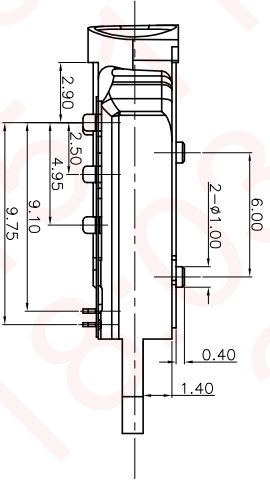
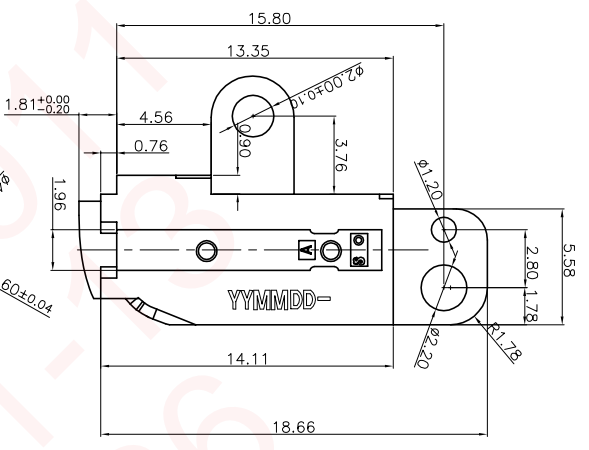
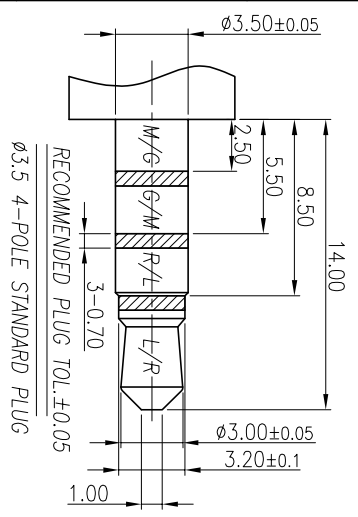


REV.	EGN NO.	OR DESCRIPTION	REVISED	DATE
A	PDR NO: T140923-7A	Bruce	2015.10.12	

- SPECIFICATIONS:**
- ELECTRICAL CHARACTERISTICS:
    - RATING: 12V 1A Max.
    - CONTACT RESISTANCE: 50mΩ MAX(INITIAL).
    - DIELECTRIC WITHSTANDING VOLTAGE: 500V AC FOR ONE MINUTE
    - INSULATION RESISTANCE: 100MΩ MIN. MEASURED BY 500 VDC
  - MECHANICAL CHARACTERISTICS:
    - INSERTION FORCE: INITIAL 0.3~3.0kgf, AFTER DURABILITY 0.3kgf Min;
    - WITHDRAWAL FORCE: INITIAL 0.3~3.0kgf, AFTER DURABILITY 0.3kgf Min;
    - LIFE CYCLES: 5,000 CYCLES
    - PACKAGING: TAPE & REEL
    - TO CONFORM TO SINGATRON HAZARDOUS SUBSTANCE FREE SPEC.
    - TO CONFORM TO THE SINGATRON HSF SPECIFICATION"
    - HALOGEN FREE PRODUCT IDENTIFICATION MARK ON PRODUCT: 
    - HALOGEN FREE PRODUCT IDENTIFICATION LABEL ON PACKAGING: 
    - PRINTED DATE CODE "YYMMDD" ON TOP OF CONNECTOR.



NO	DESCRIPTION	QTY	MATERIAL	PLATING & COLOR
J	DUMMY	1	SUS 301-H 0.2T	50u " N/ Min
I	MYLAR	1	KAPTON	YELLOW
H	SEPARATOR	1	HIGH TEMP THERMOPLASTIC UL 94V-0	BLACK
G	MAKE TERMINAL	1	PHOSPHOR BRONZE 0.2t	
F	TRANSFER TERMINAL	1	PHOSPHOR BRONZE 0.2t	
E	TIP SPRING	1	SUS 304 1/2H 0.2T	
D	EARTH	1	PHOSPHOR BRONZE 0.2t	GOLD FLASH ON CONTACT AREA
C	RING-B	1	PHOSPHOR BRONZE 0.2t	GOLD FLASH ON SOLDER AREA
B	RING-A	1	PHOSPHOR BRONZE 0.2t	ALL OVER 50u" Ni
A	BODY	1	HIGH TEMP THERMOPLASTIC UL 94V-0	BLACK

UNLESS OTHERWISE SPECIFIED TOLERANCES

Singatron Enterprise Co., Ltd.  
信登企業股份有限公司

DECIMALS:	ANGLES:
X :±0.5	X :±2°
X.X :±0.3	X.X :±1°
X.XX :±0.2	

TITLE	3.5Ø PHONE JACK
DWN	BRUCE
CHKD	SKY
APVD	LUSSEN
PART NO. 2S3157-00011F	
SCALE 4:1	
UNIT: mm	
SIZE: A3	
SHEET: 1 OF 1	
REV: A	

CUSTOMER COPY