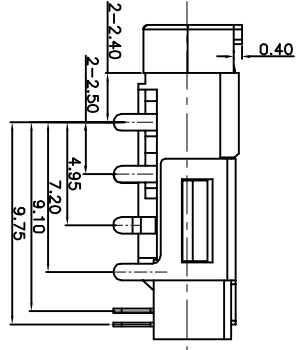
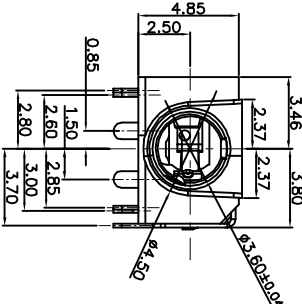
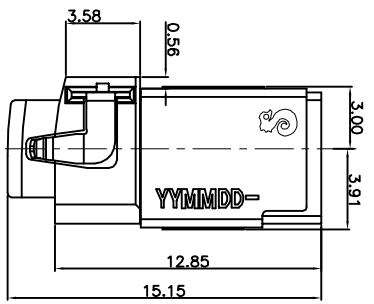
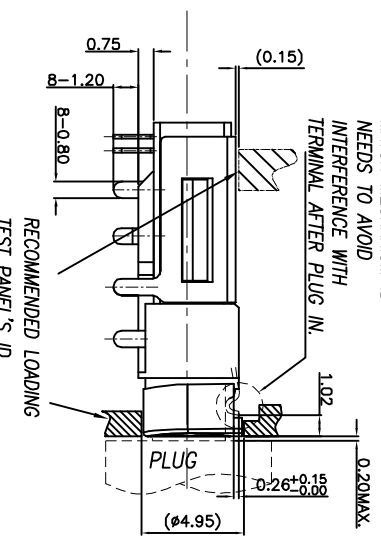
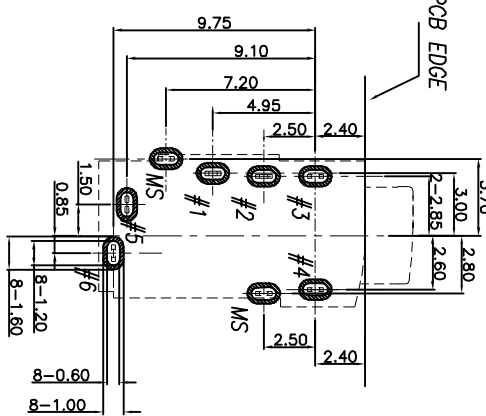
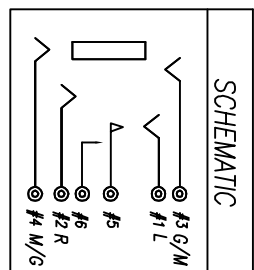


RECOMMENDED PLUG TOL. ±0.05  
 RECOMMENDED PLUG TOL. ±0.05  
 Ø3.5 4-POLE STANDARD PLUG

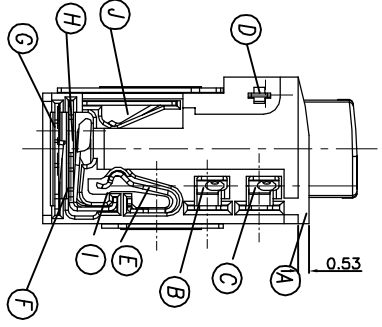
MATCH MECHANISM ID  
 NEEDS TO AVOID  
 INTERFERENCE WITH  
 TERMINAL AFTER PLUG IN.



- SPECIFICATIONS:
- ELECTRICAL CHARACTERISTICS:
    - RATING: 12V 1A Max.
    - CONTACT RESISTANCE: 50mΩ MAX(INITIAL).
    - DIELECTRIC WITHSTANDING VOLTAGE: 500V AC FOR ONE MINUTE
    - INSULATION RESISTANCE: 100MΩ MIN. MEASURED BY 500 VDC
  - MECHANICAL CHARACTERISTICS:
    - INSERTION FORCE: INITIAL 0.3~3.0kgf, AFTER DURABILITY 0.3kgf Min;
    - WITHDRAWAL FORCE: INITIAL 0.3~3.0kgf, AFTER DURABILITY 0.3kgf Min;
    - LIFE CYCLES: 5,000 CYCLES
    - PACKAGING: TAPE & REEL
    - TO CONFORM TO SINGATRON HAZARDOUS SUBSTANCE FREE SPEC.
    - TO CONFORM TO THE SINGATRON HSF SPECIFICATION"
    - HALOGEN FREE PRODUCT IDENTIFICATION MARK ON PRODUCT:
    - HALOGEN FREE PRODUCT IDENTIFICATION LABEL ON PACKAGING:
    - PRINTED DATE CODE "YYMMDD" ON TOP OF CONNECTOR.



RECOMMENDED PCB LAYOUT(TOP VIEW)  
 (TOLERANCE: ±0.05)



NO	DESCRIPTION	QTY	MATERIAL	PLATING & COLOR
J	DUMMY	1	SUS 304 1/2H 0.2T	50u " Ni Min
I	SHELL	1	COPPER ALLOY 0.20T	50u " Ni Min
H	SEPARATOR	1	HIGH TEMP.THERMOPLASTIC UL 94V-0	BLACK
G	MAKE TERMINAL	1	PHOSPHOR BRONZE 0.2t	
F	TRANSFER TERMINAL	1	PHOSPHOR BRONZE 0.2t	
E	TIP SPRING	1	SUS 304 1/2H 0.2T	
D	EARTH	1	PHOSPHOR BRONZE 0.2t	
C	RING-B	1	PHOSPHOR BRONZE 0.2t	
B	RING-A	1	PHOSPHOR BRONZE 0.2t	
A	BODY	1	HIGH TEMP.THERMOPLASTIC UL 94V-0	BLACK

UNLESS OTHERWISE SPECIFIED TOLERANCES

DECIMALS: ANGLES:

X :±0.5 X :±2  
 X.X :±0.3 X.X :±1'  
 X.XX :±0.2

Singatron Enterprise Co., Ltd.  
 信營企業股份有限公司

TITLE: 3.5Ø PHONE JACK

DWN Bruce PART NO. 2S13157-001111P  
 CHKD SCALE 4:1 UNIT: mm  
 APVD SIZE: A3 SHEET: 1 OF 1 REV: 4

CUSTOMER COPY

REV.	EGN NO	OR DESCRIPTION	REVISED	DATE
A	PDR NO: T160302-1A	Bruce		2016.03.08