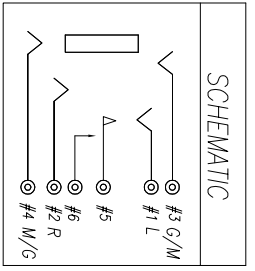
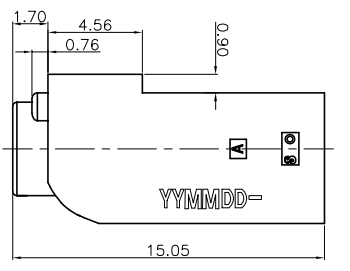
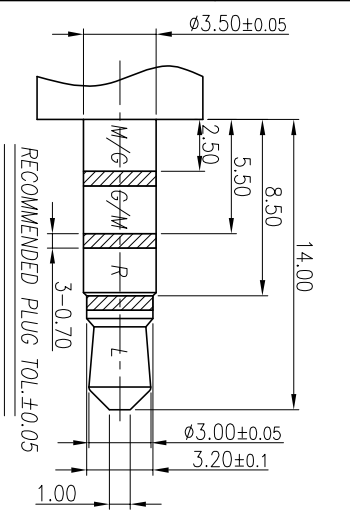
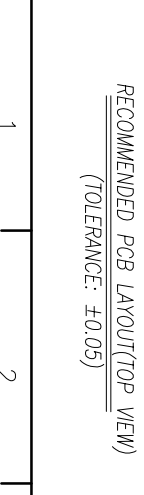
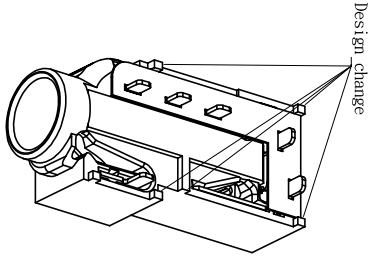
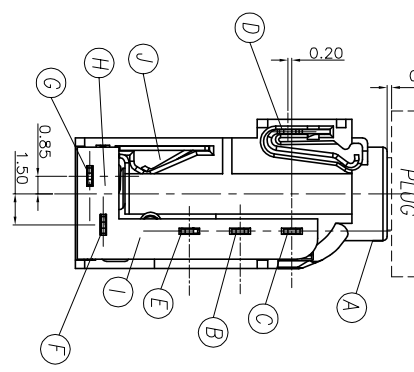
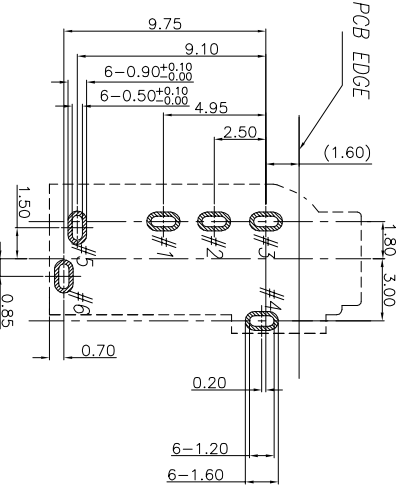
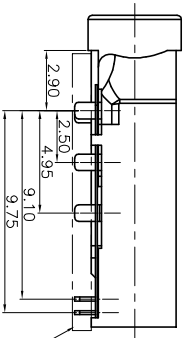
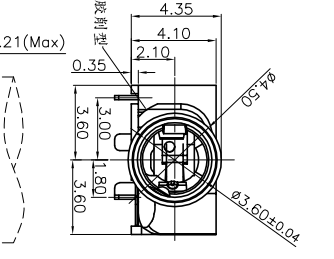
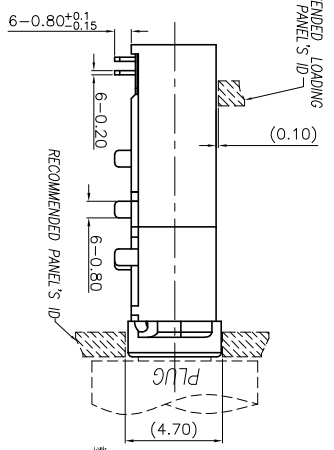


REV: A	EGN NO: T161021-1A	OR DESCRIPTION: Julia	REvised: 2017.9.27	DATE
--------	--------------------	-----------------------	--------------------	------



- SPECIFICATIONS:
- ELECTRICAL CHARACTERISTICS:
    - RATING: 12V 1A
    - CONTACT RESISTANCE: 50mΩ MAX (INITIAL)
    - DIELECTRIC WITHSTANDING VOLTAGE: 500V AC FOR ONE MINUTE.
    - INSULATION RESISTANCE: 100MΩ MIN. MEASURED BY 500 VDC.
  - MECHANICAL CHARACTERISTICS:
    - INSERTION FORCE: 0.8~3.0kgf INITIAL ; 2.5 kgf Max. After THE 2000th
    - WITHDRAWAL FORCE: 0.6~1.8kgf INITIAL; 0.5 kgf Min. After THE 2000th
  - LIFE TEST: 5,000 CYCLES MIN.
  - AFTER LIFE TEST, CONTACT RESISTANCE: 100mΩ MAX.
  - PACKAGING : TAPE & REEL.
  - AFTER HUMIDITY TEST, INSULATION RESISTANCE: 50MΩ MIN.
  - TO CONFORM TO SINGATRON HAZARDOUS SUBSTANCE FREE SPEC.
  - TO CONFORM TO THE SINGATRON HSF SPECIFICATION"
  - HALOGEN FREE PRODUCT IDENTIFICATION MARK ON PRODUCT:
  - HALOGEN FREE PRODUCT IDENTIFICATION LOGO ON PACKAGING:
  - PRINTED DATE CODE "YYMMDD-" ON TOP OF CONNECTOR.



J	DUMMY	1	SUS 301-H 0.2T	50u " N/ Min	YELLOW
I	MYLAR	1	KAPTON	YELLOW	
H	SEPARATOR	1	HIGH TEMP.THERMOPLASTIC UL 94V-0	BLACK	
G	MAKE TERMINAL	1	PHOSPHOR BRONZE 0.2t		
F	TRANSFER TERMINAL	1	PHOSPHOR BRONZE 0.2t		
E	TIP SPRING	1	SUS 304 1/2H 0.2T		
D	EARTH	1	PHOSPHOR BRONZE 0.2t		
C	RING-B	1	PHOSPHOR BRONZE 0.2t		
B	RING-A	1	PHOSPHOR BRONZE 0.2t		
A	BODY	1	HIGH TEMP.THERMOPLASTIC UL 94V-0	BLACK	
NO	DESCRIPTION	QTY	MATERIAL	PLATING & COLOR	

UNLESS OTHERWISE SPECIFIED TOLERANCES

Singatron Enterprise Co., Ltd.  
信晉企業股份有限公司

3.5φ PHONE JACK

DWN Julia PART NO. 2S3J157-004111F  
CHKD Bruce SCALE 4:1 UNIT: mm  
APVD Lusken SIZE: A3 SHEET: 1 OF 1 REV: A

CUSTOMER COPY