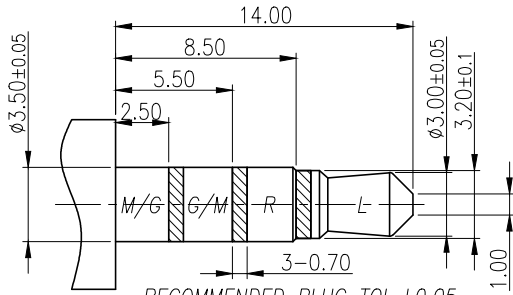


REV.	ECN NO OR DESCRIPTION	REVISED	DATE
A	PDR NO: T161107-1A/1B	Steven	2017.08.16

SPECIFICATIONS:

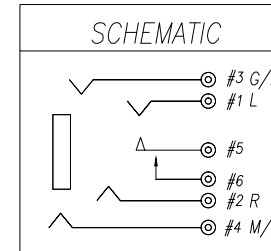
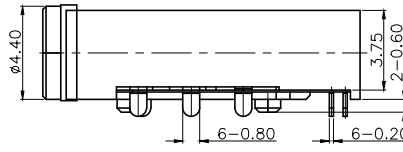
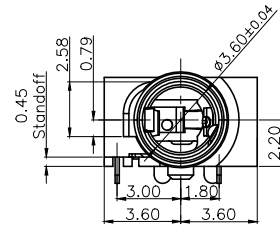
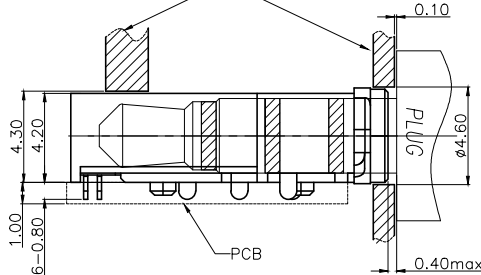
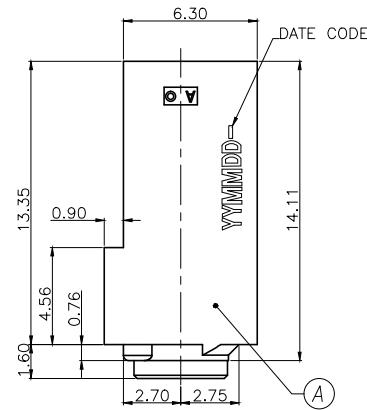
- ELECTRICAL CHARACTERISTICS:
 - RATING: 12V 1A Max.
 - CONTACT RESISTANCE: 50mΩ MAX(INITIAL).
 - DIELECTRIC WITHSTANDING VOLTAGE: 500V AC FOR ONE MINUTE
 - INSULATION RESISTANCE: 100MΩ MIN. MEASURED BY 500 VDC
- MECHANICAL CHARACTERISTICS:
 - INSERTION FORCE: INITIAL 0.5~3.0Kgf, AFTER DURABILITY 0.5Kgf Min;
 - WITHDRAWAL FORCE: INITIAL 0.5~3.0Kgf, AFTER DURABILITY 0.5Kgf Min;
- LIFE CYCLES: 5,000 CYCLES
- PACKAGING: TAPE & REEL
- TO CONFORM TO SINGATRON HAZARDOUS SUBSTANCE FREE SPEC.
- TO CONFORM TO THE SINGATRON HSF SPECIFICATION
- HALOGEN FREE PRODUCT IDENTIFICATION MARK ON PRODUCT:
- HALOGEN FREE PRODUCT IDENTIFICATION LABEL ON PACKAGING:
- PRINTED DATE CODE "YYMMDD-" ON TOP OF CONNECTOR.
- PLEASE PUT THE PRODUCT IN A CONDITION WHERE IS FULL OF NITROGEN WHEN PASS THE IR REFLOW



RECOMMENDED PLUG TOL. ±0.05

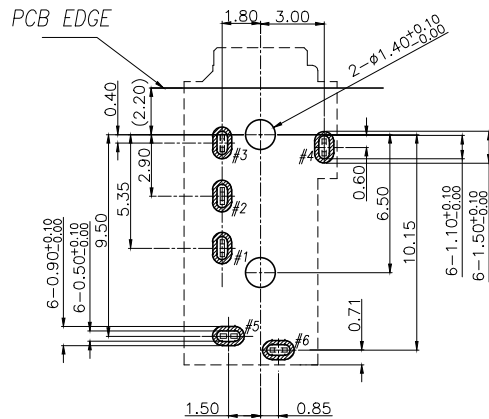
Ø3.5 4-POLE STANDARD PLUG

RECOMMENDED LOADING
TEST PANEL'S ID

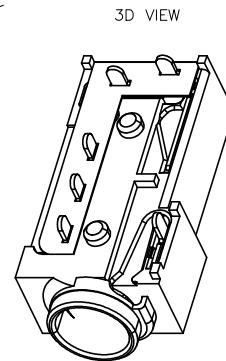
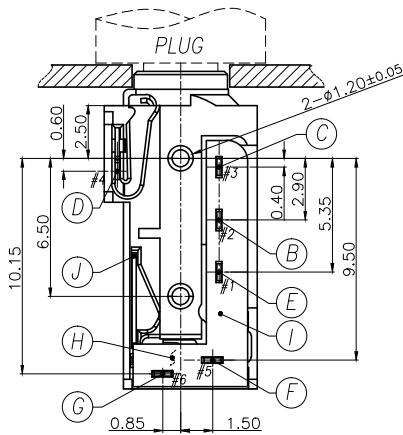


TABLE

P/N	PLATING
2SJ3157-005111F	GOLD FLASH ON CONTACT AREA; GOLD FLASH ON SOLDER AREA; ALL OVER 50u" Ni;
2SJ3157-005211F	Au 30u" ON CONTACT AREA; GOLD FLASH ON SOLDER AREA; ALL OVER 50u" Ni;



RECOMMENDED PCB LAYOUT(TOP VIEW)
(TOLERANCE: ±0.05)



J	DUMMY	1	SUS 0.2T	50u" Ni Min
I	MYLAR	1	KAPTON	YELLOW
H	SEPARATOR	1	HIGH TEMP.THERMOPLASTIC UL 94V-0	BLACK
G	MAKE TERMINAL	1	PHOSPHOR BRONZE 0.2t	GOLD FLASH ON CONTACT AREA; GOLD FLASH ON SOLDER AREA; ALL OVER 50u" Ni;
F	TRANSFER TERMINAL	1	PHOSPHOR BRONZE 0.2t	
E	TIP SPRING	1	SUS 0.2T	
D	EARTH	1	PHOSPHOR BRONZE 0.2t	SEE TABLE
C	RING-B	1	PHOSPHOR BRONZE 0.2t	
B	RING-A	1	PHOSPHOR BRONZE 0.2t	
A	BODY	1	HIGH TEMP.THERMOPLASTIC UL 94V-0	PANTONE COOL GRAY 4C
NO	DESCRIPTION	QTY	MATERIAL	PLATING & COLOR

UNLESS OTHERWISE
SPECIFIED TOLERANCES

Singatron Enterprise Co., Ltd.
信音企業股份有限公司

DECIMALS: ANGLES:
X :±0.5 X :±2°
X.X :±0.3 X.X :±1°
X.XX :±0.2

TITLE	3.5Ø PHONE JACK			
DWN	Steven	PART NO.	2SJ3157-005X11F	
CHKD	Bruce	SCALE	4:1	UNIT: mm
APVD	Lussen	SIZE:	A3	SHEET: 1 OF 1

CUSTOMER COPY