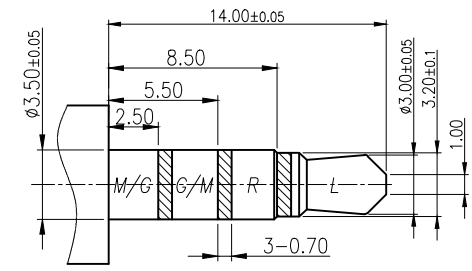
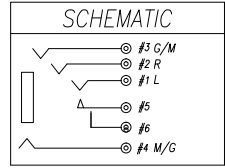
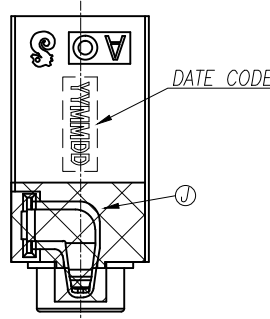


REV.	ECN NO OR DESCRIPTION	REVISED	DATE
A	PDR NO: T170419-9A	Xinzhi	2018.05.11

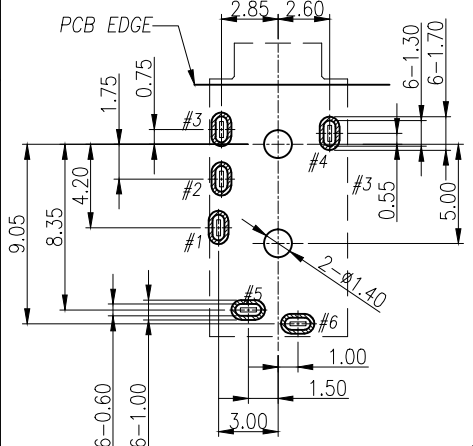
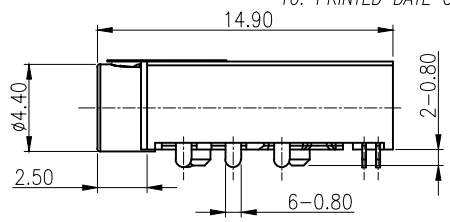
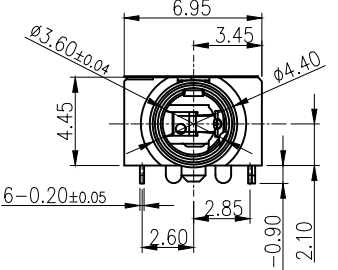
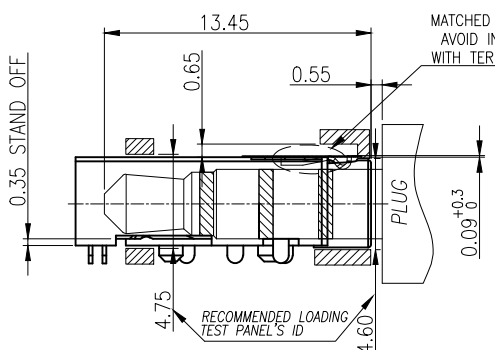


RECOMMENDED PLUG TOL.±0.05
 Ø3.5 4-POLE STANDARD PLUG

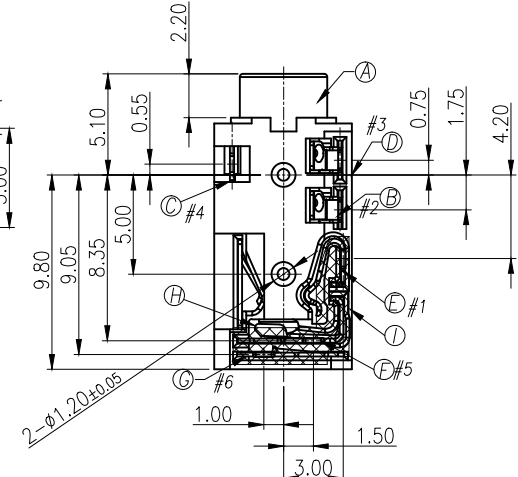


SPECIFICATIONS:

- ELECTRICAL CHARACTERISTICS:
 - 1-1. RATING: 12V 1A
 - 1-2. CONTACT RESISTANCE: 50mΩ MAX.(INITIAL)
 - 1-3. DIELECTRIC WITHSTANDING VOLTAGE: 500V AC FOR ONE MINUTE.
 - 1-4. INSULATION RESISTANCE: 100MΩ MIN. MEASURED BY 500 VDC.
- MECHANICAL CHARACTERISTICS:
 - 2-1. INSERTION FORCE: INITIAL 0.5-3.0Kgf;
 - 2-2. WITHDRAWAL FORCE: INITIAL 0.5-3.0Kgf;
- LIFE TEST: 5,000 CYCLES MIN.
 AFTER LIFE TEST, CONTACT RESISTANCE: 100mΩ MAX.
- PACKAGING : TAPE & REEL.
- AFTER HUMIDITY TEST, INSULATION RESISTANCE: 50MΩ MIN.
- TO CONFORM TO SINGATRON HAZARDOUS SUBSTANCE FREE SPEC.
- HALOGEN FREE PRODUCT IDENTIFICATION MARK ON PRODUCT:
- HALOGEN FREE PRODUCT IDENTIFICATION LOGO ON PACKAGING:
- FOR REFLOW SOLDERING LEAD-FREE PROCESS.
- PRINTED DATE CODE "YYMMDD-" ON TOP OF CONNECTOR.



RECOMMENDED PCB LAYOUT
 TOP VIEW ; TOL.±0.05



J	MYLAR2	1	KAPTON 0.07t	YELLOW
I	MYLAR1	1	KAPTON 0.07t	YELLOW
H	SEPARATOR	1	LCP+30%GF,(E130i) UL 94V-0	BLACK
G	MAKE TERMINAL	1	C5210-EH 0.2t	GOLD FLASH ON CONTACT AREA; GOLD FLASH ON SOLDER AREA;
F	TRANSFER TERMINAL	1	C5210-EH 0.2t	ALL OVER NICKEL 50u" MIN. PLATING
E	TIP SPRING	1	C5210-EH 0.2t	
D	RING-A	1	C5210-EH 0.2t	GOLD FLASH ON CONTACT AREA; GOLD FLASH ON SOLDER AREA;
C	EARTH	1	C5210-EH 0.2t	ALL OVER NICKEL 50u" MIN. PLATING.
B	RING-B	1	C5210-EH 0.2t	
A	BODY	1	PA4T+30%GF,(TX1) UL 94V-0	BLACK
NO	DESCRIPTION	QTY	MATERIAL	PLATING & COLOR

UNLESS OTHERWISE SPECIFIED TOLERANCES		Singatron Enterprise Co., Ltd. 信音企業股份有限公司	
DECIMALS:	ANGLES:	TITLE	
X :±0.5	X :±2°	3.5Ø PHONE JACK	
X.X :±0.3	X.X :±1°	DWN	Xinzhi PART NO.2SJ3157-009111F
X.XX :±0.2		CHKD	Bruce SCALE 1:1 UNIT: mm
		APVD	Liao SIZE: A3 SHEET:1 OF 1 REV: A
CUSTOMER COPY			