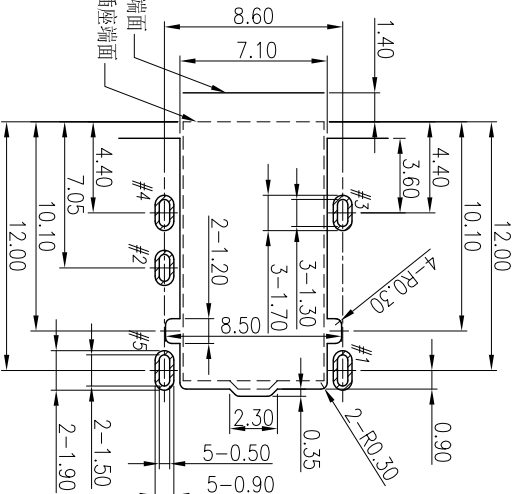
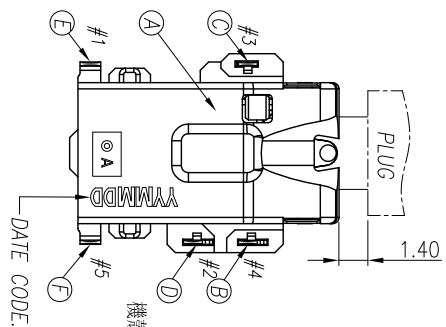
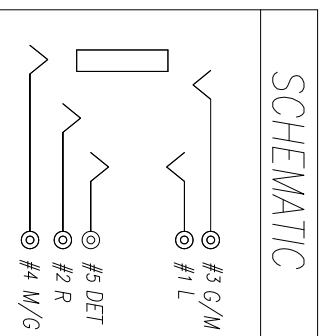
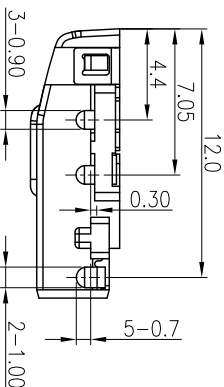
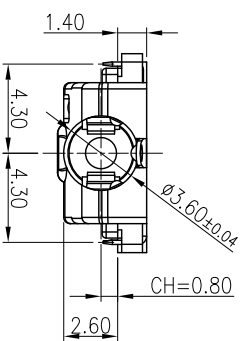
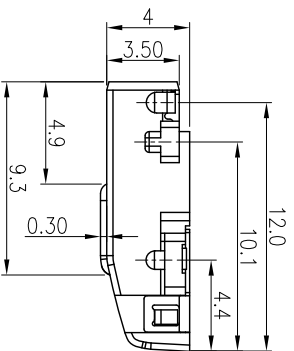


RECOMMENDED PLUG  
Ø3.5 4-POLE STANDARD PLUG



RECOMMENDED PCB LAYOUT  
TOP VIEW ; TOL.±0.05

SPECIFICATIONS:

- INSULATION RESISTANCE BETWEEN ANY ADJACENT OPEN CIRCUIT TERMINAL SHELL NOT BE LESS THAN 100MΩ MEASURED BY 500 VDC.
- CONTACT RESISTANCE: 50mΩ MAX(INITIAL).
- INSULATION VOLTAGE WITHSTAND:500V AC FOR ONE MINUTE.
- UNLESS OTHERWISE SPECIFIED. TEST IS TO BE MADE AT 5-35°C IN TEMPERATURE AND 45-85% IN HUMIDITY. BUT,IF ANY VAGUE DATA IS OCCURED ON TEST RESULT, ANOTHER TEST SHALL BE MADE AT 20°C±2°C IN TEMP., 60-70% IN HUMIDITY.
- LIFE TEST: 10,000 CYCLES MIN.
- INSERTION FORCE: 0.3 - 3Kg.
- WITHDRAWAL FORCE: 0.3 - 3Kg.
- AFTER LIFE TEST, CONTACT RESISTANCE: 100mΩ MAX.
- AFTER HUMIDITY TEST, INSULATION RESISTANCE: 50MΩ MIN.
- MARKING: MARK "S" ON TOP OF CONNECTOR.
- PACKING : TAPE & REEL.
- TO CONFORM TO SINGATRON HAZARDOUS SUBSTANCE FREE SPEC.
- HALOGEN FREE PRODUCT IDENTIFICATION MARK ON PRODUCT:
- HALOGEN FREE PRODUCT IDENTIFICATION LOGO ON PACKAGING:

NO	DESCRIPTION	QTY	MATERIAL	PLATING & COLOR
F	DET	1	SUS304 1/2H 0.2T	
E	TIP SPRING	1	SUS304 1/2H 0.2T	GOLD FLASH ON CONTACT AREA
D	RING A	1	C5210-EH 0.2T	GOLD FLASH ON SOLDER AREA
C	RING B	1	C5210-EH 0.2T	NIL OVER 50μ" NI
B	EARTH	1	C5210-EH 0.2T	
A	BODY	1	PA4T+30%GF(TX1) UL 94V-0	BLACK

DECIMALS:	ANGLES:
X :±0.5	X :±2°
X.X :±0.3	X.X :±1°
X.XX :±0.2	

TITLE	PART NO.	UNIT	SHEET	REV
DWN	Dengfeng	3.5Ø PHONE JACK	25J3158-000111F	
CHKD	Bruce	SCALE 4:1	mm	
APVD	Lussen	SIZE: A3	SHEET: 1 OF 1	REV: A

CUSTOMER COPY

REV.	EGN NO	OR DESCRIPTION	REVISED	DATE
A	PDR NO: T141015-5A		Dengfeng	2015.03.19