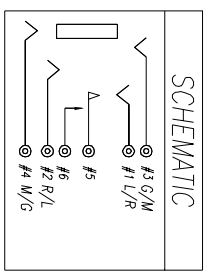
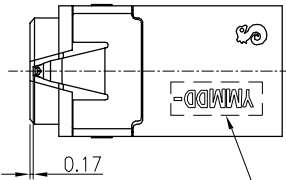
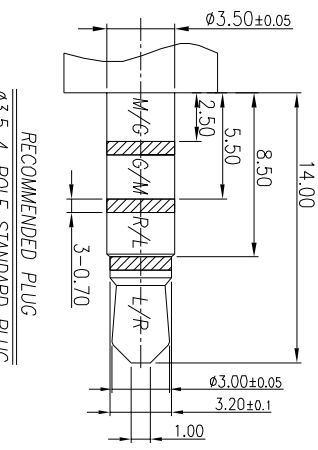
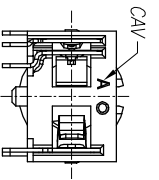
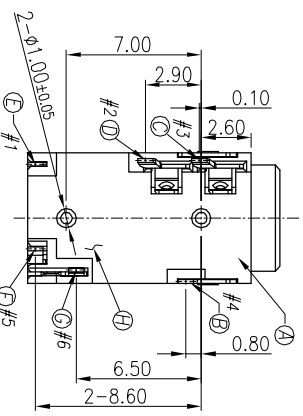
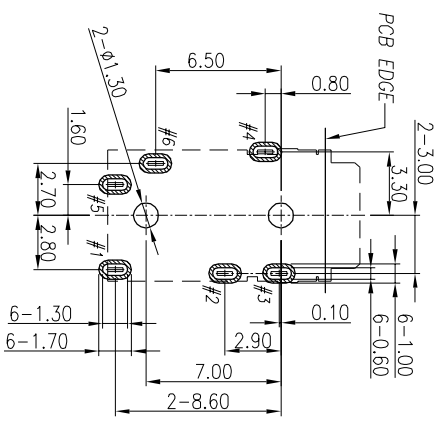
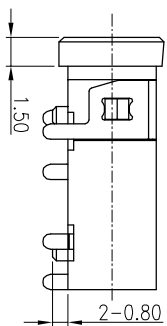
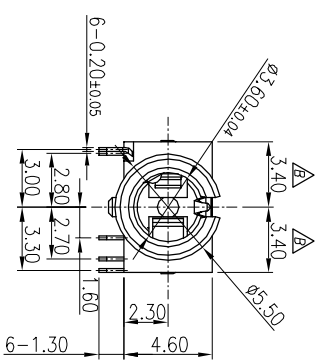
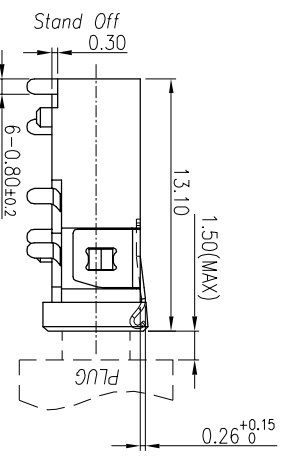


REV.	ECN NO OR DESCRIPTION	REVISED	DATE
A	PDR NO:IT141016-4A	Kevin	2015.05.12
B	ECN NO:5170516-C	JIE-FU	2017.05.16



- SPECIFICATIONS:
- ELECTRICAL CHARACTERISTICS:
 - RATING: 12V 1A
 - CONTACT RESISTANCE: 30mΩ MAX (INITIAL)
 - DIELECTRIC WITHSTANDING VOLTAGE: 500V AC FOR ONE MINUTE.
 - INSULATION RESISTANCE: 100MΩ MIN. MEASURED BY 500V DC
 - MECHANICAL CHARACTERISTICS:
 - INSERTION FORCE : 0.3~3.0 KGf
 - WITHDRAWAL FORCE : 0.3~3.0 KGf
 - LIFE TEST: 5,000 CYCLES MIN.
 - OTHER GENERAL SPEC. TO REFER "2SJ3072 SERIES SPEC."
 - TO CONFORM TO SINGATRON HAZARDOUS SUBSTANCE FREE SPEC.
 - HALOGEN FREE PRODUCT IDENTIFICATION MARK ON PRODUCT:
 - HALOGEN FREE PRODUCT IDENTIFICATION LOGO ON PACKAGING:
 - FOR REFLOW SOLDERING LEAD-FREE PROCESS.



RECOMMENDED PCB LAYOUT
TOP VIEW : TOL.±0.05

NO	DESCRIPTION	QTY	MATERIAL	PLATING & COLOR
H	SEPARATOR	1	HIGH TEMP THERMOPLASTIC UL 94V-0	BLACK
G	MAKE TERMINAL	1	PHOSPHOR BRONZE 0.21	
F	TRANSFER TERMINAL	1	PHOSPHOR BRONZE 0.21	
E	TIP SPRING	1	PHOSPHOR BRONZE 0.21	
D	RING-A	1	PHOSPHOR BRONZE 0.21	SOLD FLASH ON CONTACT AREA. MATE FIN 120μ ON SOLDER TAIL. ALL OVER NICKEL 50μ MIN. PLATING
C	EARTH	1	PHOSPHOR BRONZE 0.21	
B	RING-B	1	PHOSPHOR BRONZE 0.21	
A	BODY	1	HIGH TEMP THERMOPLASTIC UL 94V-0	BLACK

UNLESS OTHERWISE SPECIFIED TOLERANCES

DECIMALS: ANGLES: X : ±0.5 X : ±2°
X.X : ±0.3 X.X : ±1°
X.XX : ±0.2

TITLE: 3.5φ PHONE JACK
DWG: JIE-FU PART NO. 2S3139-000111F
CHKD: CERRY SCALE 1:1 UNIT: mm
APVD: LUSSEN SIZE: A3 SHEET: 1 OF 1 REV: B

Singatron Enterprise Co., Ltd.
信晉企業股份有限公司

CUSTOMER COPY