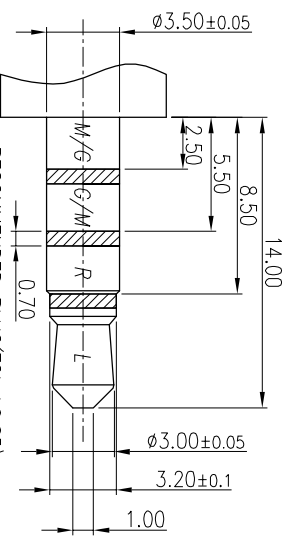
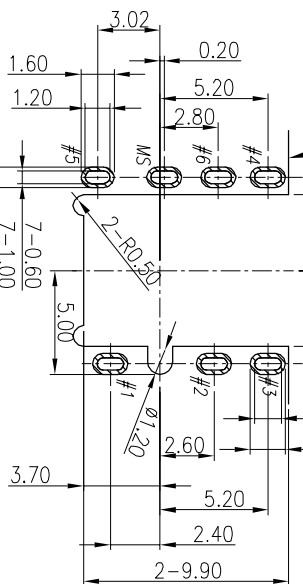
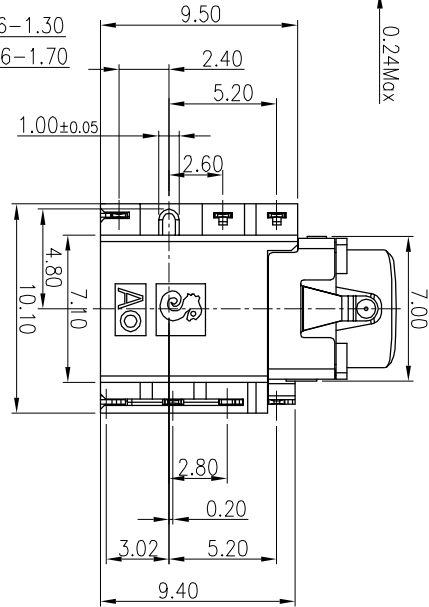
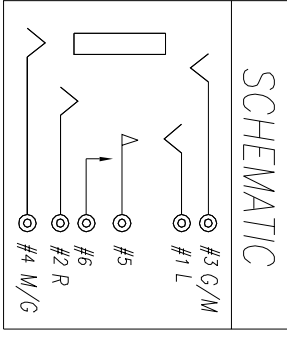
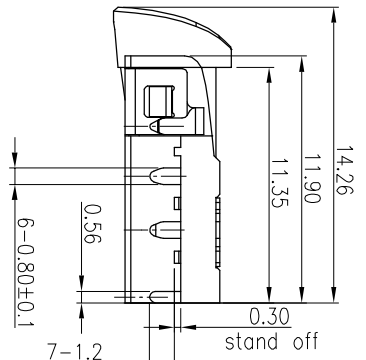
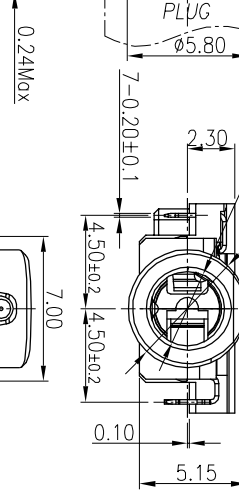
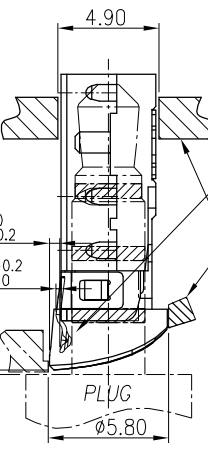


REV.	ECN NO. OR DESCRIPTION	REVISED	DATE
A	PDR NO:1180906-2A	Peng	2019.02.22

MATCHED MECHANISM'S ID NEED TO AVOID INTERFERENCE WITH TERMINAL WHEN PLUG IN

DATE CODE AREA.

RECOMMENDED LOADING TEST PANEL'S ID



RECOMMENDED PCB LAYOUT

TOP VIEW : TOL.±0.05

SPECIFICATIONS:

1. ELECTRICAL CHARACTERISTICS:

- 1-1. RATING: 12V 1A
- 1-2. CONTACT RESISTANCE: 50mΩ MAX.(INITIAL)
- 1-3. DIELECTRIC WITHSTANDING VOLTAGE: 500V AC FOR ONE MINUTE.
- 1-4. INSULATION RESISTANCE: 100MΩ MIN. MEASURED BY 500 VDC.

2. MECHANICAL CHARACTERISTICS:

- 2-1. INSERTION FORCE: 0.5~2.2kgf AFTER THE FIFTH TIME;
0.4~2.0kgf AFTER LIFE TEST;
- 2-2. WITHDRAWAL FORCE: 0.5~2.0kgf AFTER THE FIFTH TIME;
0.4~2.0kgf AFTER LIFE TEST;

- 3. LIFE TEST: 5,000 CYCLES MIN.
- 4. AFTER LIFE TEST, CONTACT RESISTANCE: 100mΩ MAX.
- 5. PACKAGING : TAPE & REEL.
- 6. AFTER HUMIDITY TEST, INSULATION RESISTANCE: 50MΩ MIN.
- 7. TO CONFORM TO SINGATRON HAZARDOUS SUBSTANCE FREE SPEC.
- 8. HALOGEN FREE PRODUCT IDENTIFICATION MARK ON PRODUCT:
- 9. HALOGEN FREE PRODUCT IDENTIFICATION LOGO ON PACKAGING:
- 10. FOR LEAD-FREE PROCESS.
- 11. PRINTED DATE CODE "MND" ON TOP OF CONNECTOR.
- 12. OVERLOADING FORCE < 4KGF

J	SHELL	1	SUS304-1/2H 0.2t	Ni: 60u"Min.
H	SEPARATOR	1	LCP E130i UL 94V-0	BLACK
G	TRANSFER TERMINAL	1	C5210-EH 0.2t	
F	MAKE TERMINAL	1	C5210-EH 0.2t	GOLD FLASH ON CONTACT AREA GOLD FLASH ON SQUARE AREA ALL OVER 50u" Min.
E	TIP SPRING	1	SUS304-1/2H 0.2t	
D	RING A	1	C5210-EH 0.2t	
C	RING B	1	C5210-EH 0.2t	
B	EARTH	1	C5210-EH 0.2t	
A	BODY	1	PAT01+30%GF R630NH UL 94V-0	BLACK
NO	DESCRIPTION	QTY	MATERIAL	PLATING & COLOR

UNLESS OTHERWISE SPECIFIED TOLERANCES

DECIMALS: ANGLES:

X : ±0.5 X : ±2°
X.X : ±0.3 X.X : ±1°
X.XX : ±0.2

3.5Ø AUDIO JACK

DWN Peng
CHKD Bruce
APVD lloo

PART NO.2S3160-012111F
SCALE 4:1 UNIT: mm
SIZE: A3 SHEET: 1 OF 1 REV: A

CUSTOMER COPY

Singatron Enterprise Co., Ltd.
信登企業股份有限公司