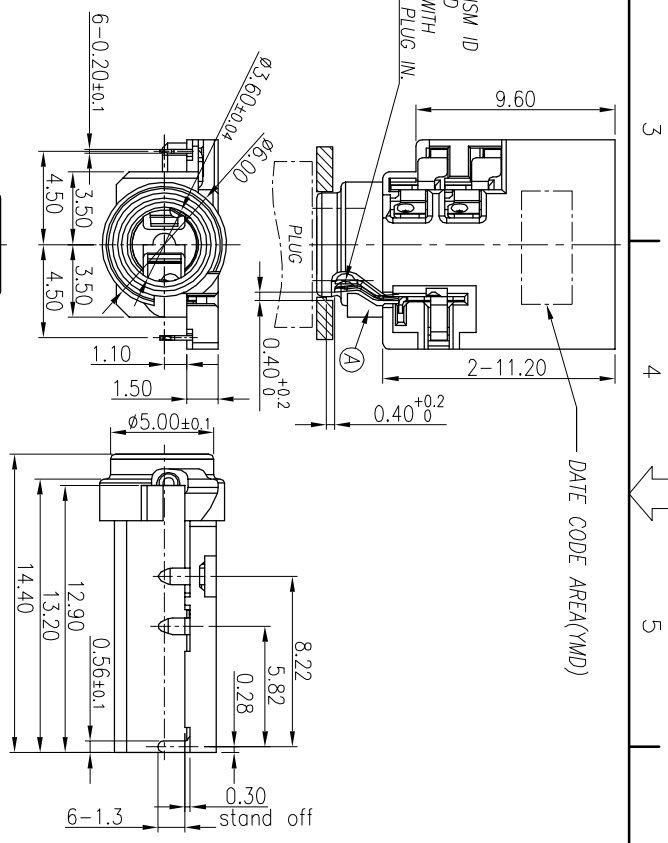


REV.	ECN NO OR DESCRIPTION	REVISED	DATE
A	PDR NO:1200320-1A PDR NO:1200320-1B	Qing Qing	2020.10.21

DATE CODE AREA(YMD)

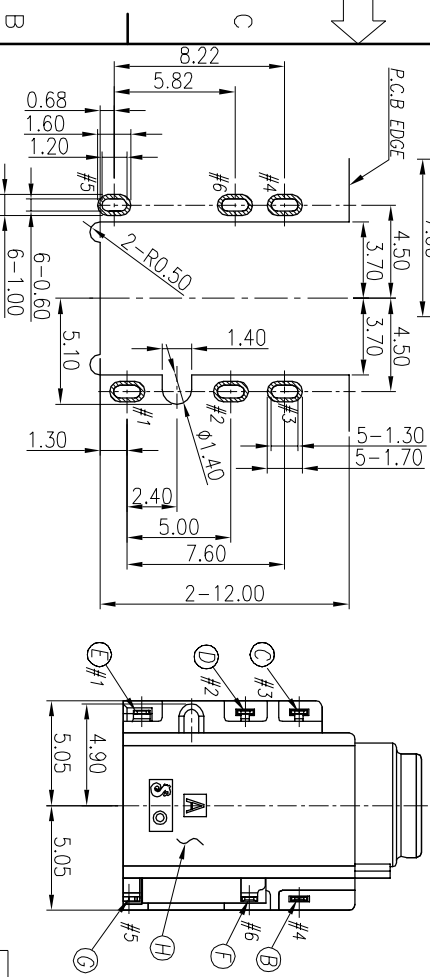
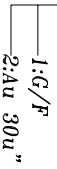
MATCH MECHANISM ID NEEDS TO AVOID INTERFERENCE WITH TERMINAL WHEN PLUG IN.

RECOMMENDED LIMIT SUPPORT STRUCTURE

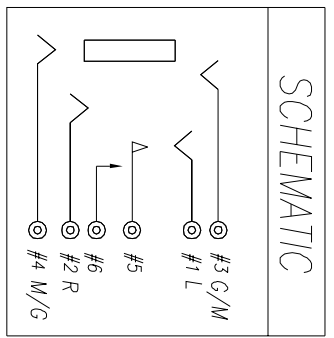
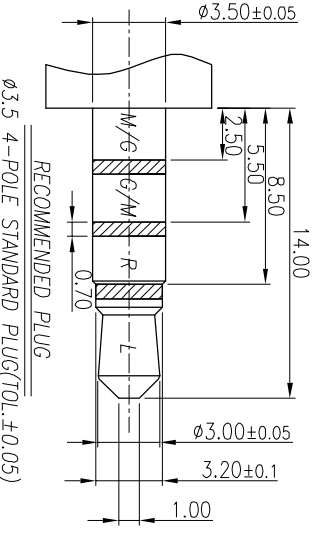


- SPECIFICATIONS:
- ELECTRICAL CHARACTERISTICS:
 - 1-1. RATING: 12V 1A
 - 1-2. CONTACT RESISTANCE: 50mΩ MAX.(INITIAL)
 - 1-3. DIELECTRIC WITHSTANDING VOLTAGE: 500V AC FOR ONE MINUTE.
 - 1-4. INSULATION RESISTANCE: 100MΩ MIN. MEASURED BY 500 VDC.
 - MECHANICAL CHARACTERISTICS:
 - 2-1. INITIAL: INSERTION FORCE: 0.8~3.0kgf; WITHDRAWAL FORCE: 0.6~1.8kgf;
 - 2-2. After THE 2000th: INSERTION FORCE: 2.5kgf Max.; WITHDRAWAL FORCE:0.5kgf Min;
 - 2-2. After THE 3000th: INSERTION FORCE: 2.5kgf Max.; WITHDRAWAL FORCE:0.3kgf Min;
 3. LIFE TEST: 3000 CYCLES MIN.
 3. AFTER LIFE TEST, CONTACT RESISTANCE: 100mΩ MAX.
 4. PACKAGING : TAPE & REEL.
 5. AFTER HUMIDITY TEST, INSULATION RESISTANCE: 50MΩ MIN.
 6. TO CONFORM TO SINGATRON HAZARDOUS SUBSTANCE FREE SPEC.
 7. HALOGEN FREE PRODUCT IDENTIFICATION MARK ON JACK:
 8. HALOGEN FREE PRODUCT IDENTIFICATION LABEL ON PACKAGING:

TABLE: 2S3J160-019X11F



RECOMMENDED PCB LAYOUT
TOP VIEW ; TOL:±0.05



NO	DESCRIPTION	QTY	MATERIAL	PLATING & COLOR
H	SEPARATOR	1	HIGH TEMP.THERMOPLASTIC UL 94V-0	BLACK
G	TRANSFER TERMINAL	1	COPPER ALLOY, 0.2T	GOLD FLASH ON CONTACT AREA GOLD FLASH ON SOLDER AREA ALL OVER 500° K.
F	MAKE TERMINAL	1	COPPER ALLOY, 0.2T	GOLD FLASH ON CONTACT AREA GOLD FLASH ON SOLDER AREA ALL OVER 500° K.
E	TIP SPRING	1	SUS304-1/2H 0.2T	SEE TABLE ON CONTACT AREA
D	RING A	1	COPPER ALLOY, 0.2T	GOLD FLASH ON SOLDER AREA
C	RING B	1	COPPER ALLOY, 0.2T	ALL OVER 500° K.
B	EARTH	1	COPPER ALLOY, 0.2T	
A	BODY	1	HIGH TEMP.THERMOPLASTIC UL 94V-0	BLACK
NO	DESCRIPTION	QTY	MATERIAL	PLATING & COLOR

Singatron Enterprise Co., Ltd.
信登企業股份有限公司

TITLE: 3.5Ø AUDIO JACK
DWG: Qing
CHKD: Bruce
APVD: Liao

PART NO. 2S3J160-019X11F(1&2)
SCALE: 4:1
UNIT: mm
SIZE: A3
SHEET: 1 OF 1
REV: A

CUSTOMER COPY